

Portrait Adapter Instruction Sheet

INTRODUCTION

This document describes user instructions for the M Series Portrait Adapter (#118-116109-XX).

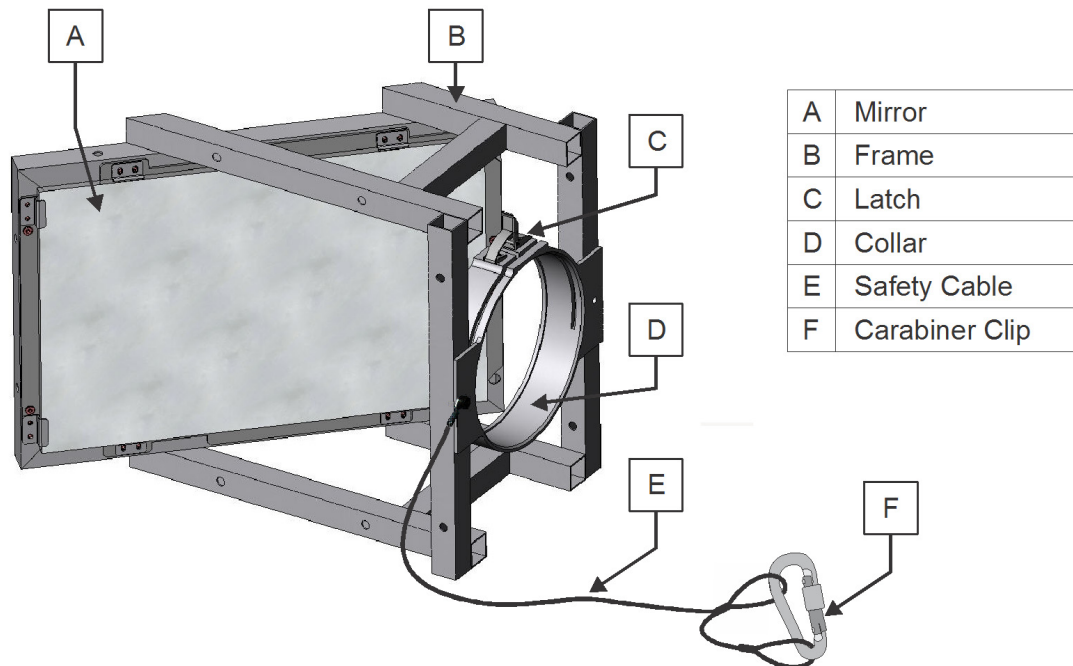


Figure 1 Portrait Adapter

⚠ WARNING Do not use the Portrait Adapter if the mirror is cracked or broken.

⚠ WARNING Do not look directly into the light from the mirror while projector is switched on.

The Portrait Adapter, which uses a front-surface mirror mounted at 45° to the optical axis, allows the displayed image to be changed from landscape to portrait (see Figure 2). The adapter mounts directly to the projection lens.

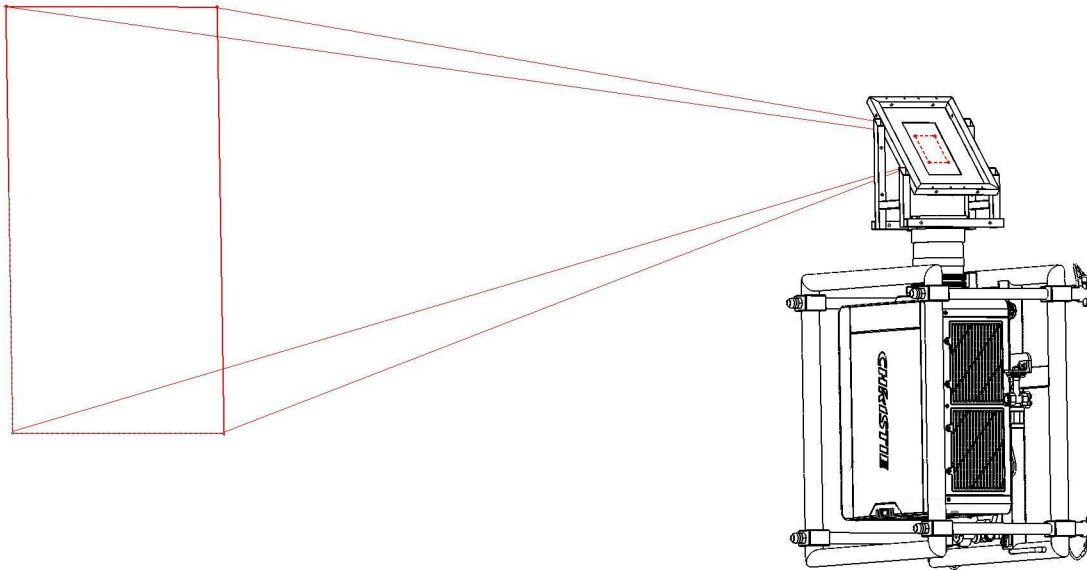


Figure 2 Image Displayed as Portrait

The applicable projection lenses and specifications in portrait mode are given below.

Mirage S+/HD/WU Matrix S+/HD/WU Christie HD/DS+/WU, DLV Lens Part Number	M Series Models Lens Part Number	Lens Throw Ratio	Horizontal Offset	Vertical Offset
104-113101-01	118-100113-01	2.0-2.8:1 SXGA+ 1.8-2.6:1 HD	±65% ±85%	±50% ±35%
104-114101-01	118-100114-01	2.8-4.5:1 SXGA+ 2.6-4.1:1 HD	±100% ±119%	±50% ±42%
104-115101-01	118-100115-01	4.5-7.5:1 SXGA+ 4.1-6.9:1 HD	±100% ±119%	±50% ±42%
104-130101-01	118-100116-01*	7.5-11.2:1 SXGA+ 6.9-10.4:1 HD	±100% ±119%	±50% ±42%

NOTE: **Some distortion of the image may occur with this lens.*

INSTRUCTIONS

To prepare for Portrait Adapter installation:

⚠ WARNING - Always attach the Portrait Adapter Safety Cable for all installations.

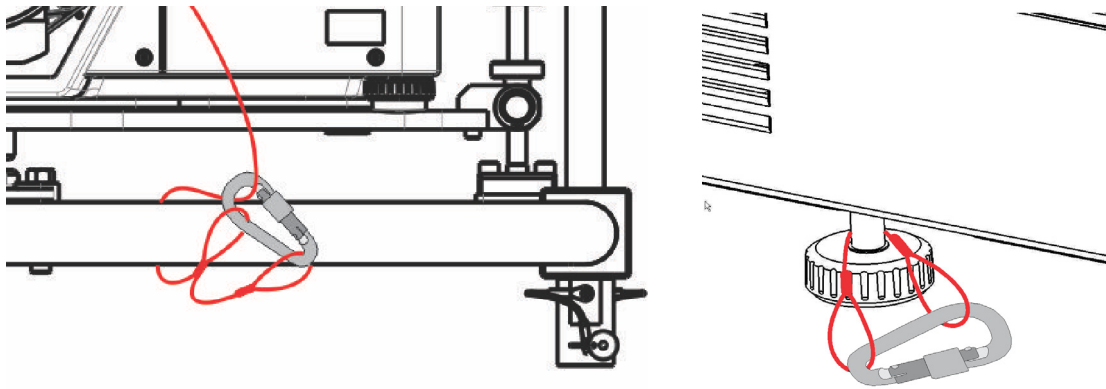


Figure 3 Secure Safety Cable with Carabiner Clip

1. Remove the protective film from the surface of the mirror.

To attach the Portrait Adapter:

2. Loosen the locking latch, see [Figure 4](#).

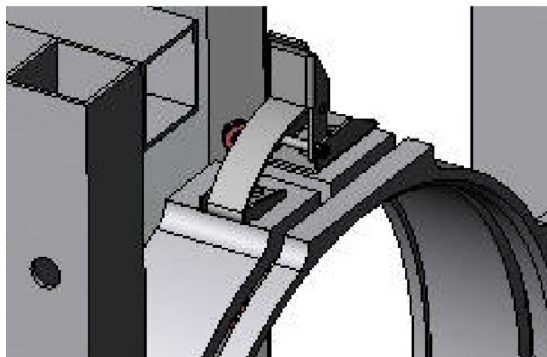


Figure 4 - Latched Unlocked

3. Move the Portrait Adapter onto the end of the projection lens (see [Figure 5](#)).

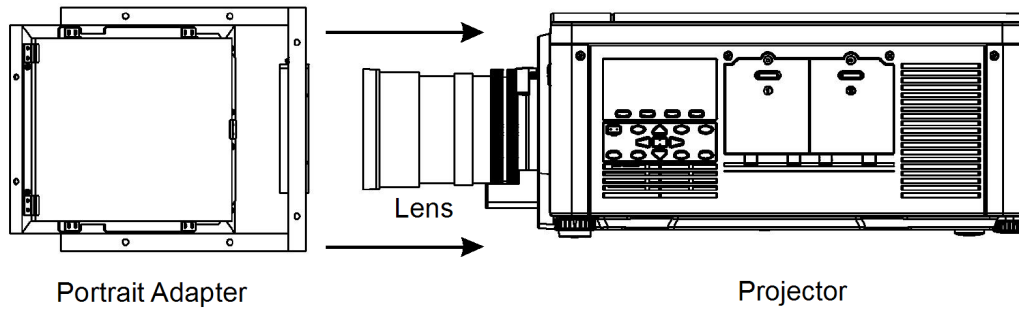
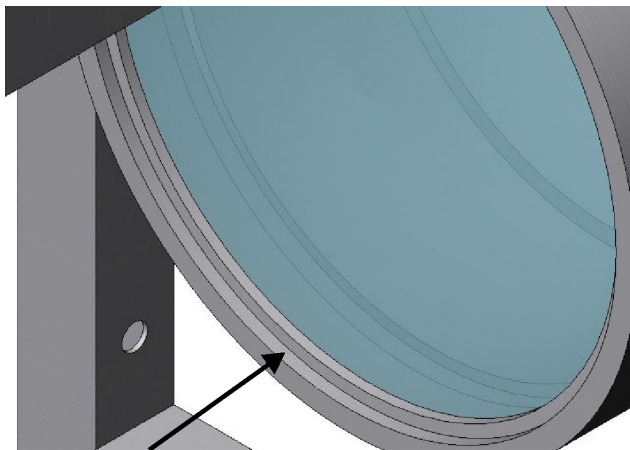


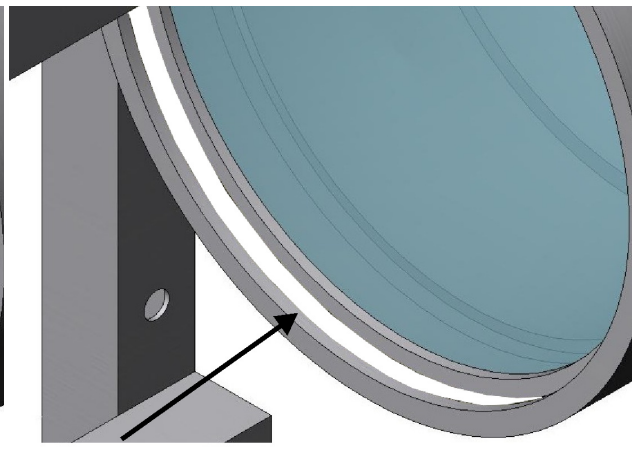
Figure 5 - Mounting the Portrait Adapter

Make sure the collar touches the end of the projection lens, see [Figure 6](#) for correct installation, and [Figure 7](#) for incorrect installation. **NOTE:** *If necessary, cut a 1/2 inch strip of foam (supplied) and apply to the collar of the portrait adapter to obtain a tight fit when the latch is closed.*



CORRECT - NO Space between collar and lens

Figure 6 - CORRECT Installation



INCORRECT - Space between collar and lens

Figure 7 - INCORRECT Installation

4. Lock the latch, refer to [Figure 8](#). **NOTE:** *Make sure the the Portrait Adapter is fixed to the projection lens when the latch is closed.*

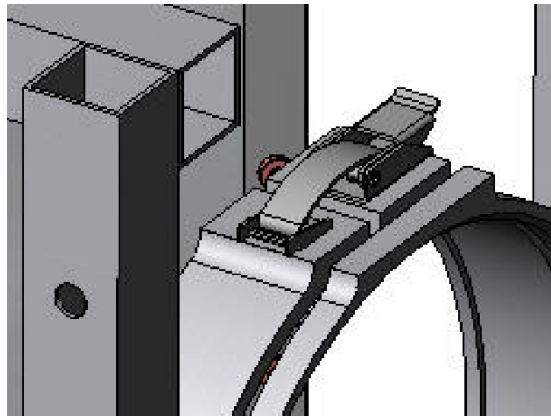


Figure 8 - Latch Locked

5. Focus the image, and if necessary unlock and rotate the Portrait Adapter to make sure the mirror edge is aligned properly with the screen. **NOTES:** **1)** *Make sure the latch is fully locked when complete.* **2)** *For lens 118-100113-XX, it is necessary to unlock the Portrait Adapter to focus the lens without rotating the Adapter.*
6. Focus, zoom and offset the lens as necessary. **NOTE:** *For some applications, it may be necessary to boresight the lens mount with the Portrait Adapter installed, refer to the M Series User Manual for details.*
7. Using the on-screen menu, set the correct image orientation based on projector installation.
 - To set the image orientation, select the **MAIN MENU > CONFIGURATION > OUTPUT OPTIONS > SCREEN IMAGE ORIENTATION.**