

Installing the Boxer harness connector backplates

To secure the lamp driver harness connectors to prevent damage to the connectors, install the Boxer Harness Connector kit.

Affected products

The following products are affected:

- Boxer 4K30
- Mirage 304K

Parts list

The following parts are required for the installation of the Boxer harness connector backplates.

- 003-005514-XX

Tools required for installation

Make sure the following tools are available during the installation.

- Long and stubby neck magnetic-tip ball drivers—2.5 mm, 3 mm, and 5 mm provided in projector toolbox
- Needle nose wire cutter

Safety precautions

To prevent personal injury and to protect the device from damage, read and follow these safety precautions.



Warning! Failure to comply with the following could result in death or serious injury.

- SHOCK HAZARD! Disconnect the product from AC before servicing, cleaning, removing components, or opening any enclosure.
- EXPLOSION HAZARD! Allow sufficient time for the lamp to cool down before powering down the product, disconnecting it from AC, and opening the lamp door.
- All procedures must be performed by Christie qualified technicians.
- Use protective eye wear and gloves when cleaning and servicing the product. Follow workplace guidelines for using personal protective equipment when cleaning and servicing products.



Notice. Failure to comply with the following may result in property damage.

- SHOCK HAZARD! All harnessing must be properly routed and secured as originally installed, especially in high voltage areas.

Turning the projector off

When powering off in preparation for inspection or maintenance, always disconnect from AC.

1. To turn the lamps off, press and hold the **Power** button until you hear a beep.

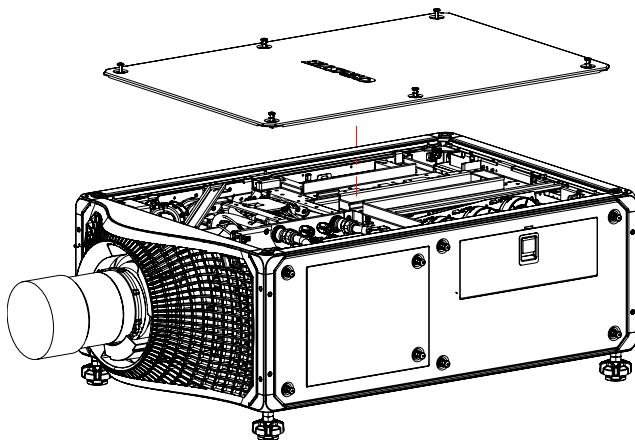
It takes approximately three minutes for the lamps to cool down. When powering off the projector, allow the projector to complete its cool down cycle. Do not immediately unplug the projector if this can be avoided.

2. To turn off power to the projector, disconnect from AC power.

Removing the top cover

The top cover provides access to the light engine, HKBA board, and various other components.

Estimated replacement time: 1 minute

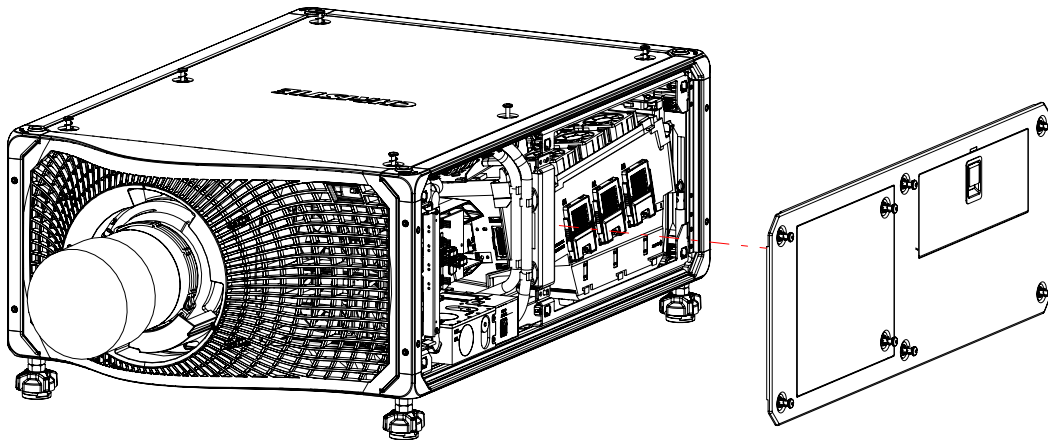


1. Loosen the six captive screws securing the top cover.
2. Remove the top cover.
3. To install the top cover, repeat these steps in reverse order.

Removing the optics-side cover

The optics-side cover provides access to liquid cooling module, integrator focus module, zoom/focus module, NFC readers, and other components.

Estimated replacement time: 1 minute

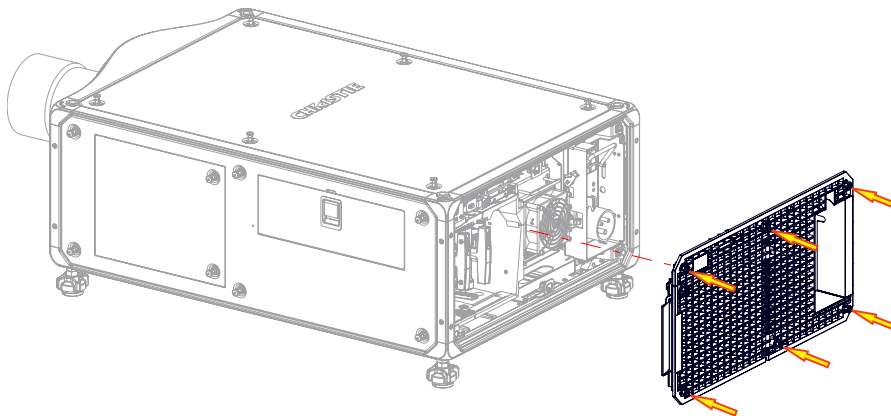


1. Loosen the six captive screws securing the optics-side cover.
2. Remove the optics-side cover.
3. To install the optics-side cover, repeat these steps in reverse order.

Removing the rear cover

The rear cover provides access to lamp and lamp driver modules.

Estimated replacement time: 1 minute

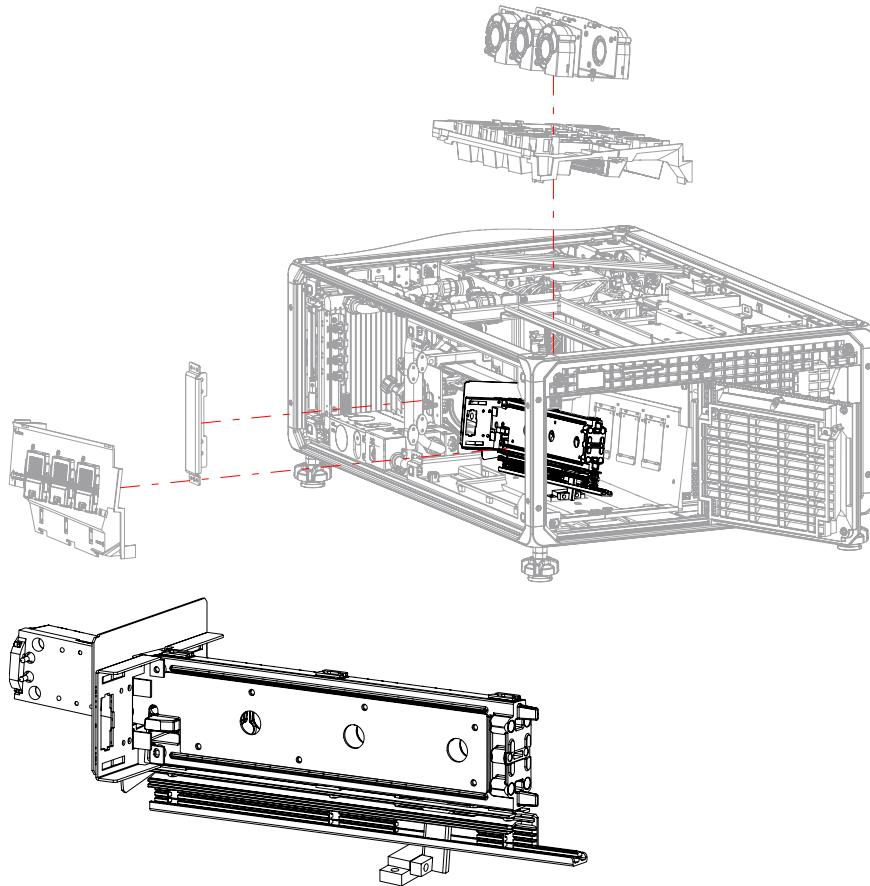


1. Loosen the six captive screws securing the rear cover.
2. Remove the rear cover.
3. To install the rear cover, repeat these steps in reverse order.

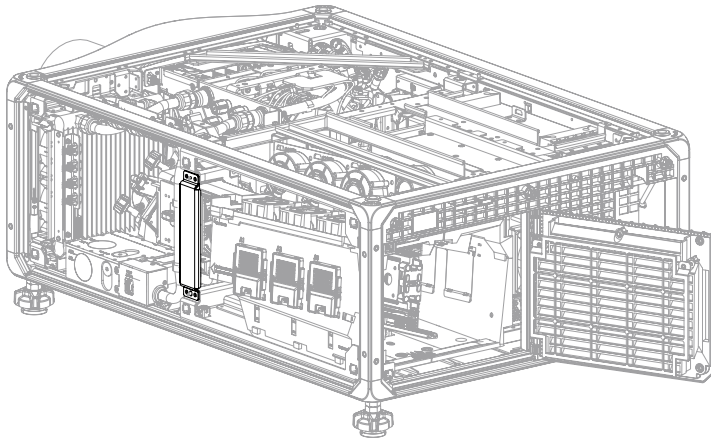
Removing the integrator module

The integrator module is positioned between the two lamp cartridges and captures light from up to six lamps and combines it into a uniform rectangular light source for the light engine.

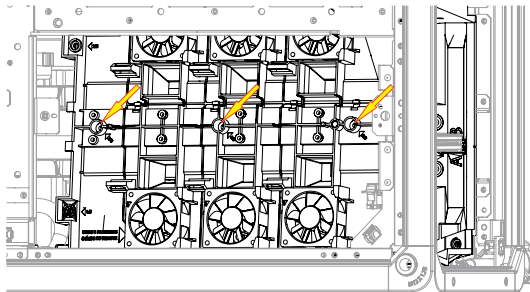
Estimated replacement time: 16 minutes



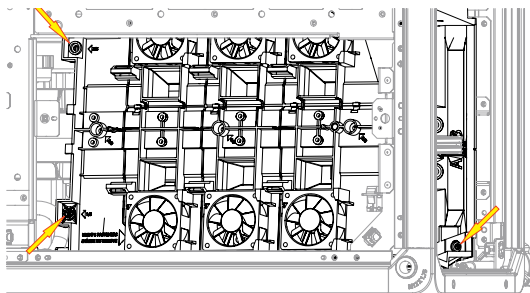
1. *Remove the top cover (on page 2).*
2. *Remove the optics-side cover (on page 3).*
3. Remove the two screws securing the rear top support bracket.
4. *Remove the rear cover (on page 3)*
5. Remove the two lamp cartridges.
6. To release the vertical support bracket, remove the four screws.



7. To free the lamp blower fan pack, remove the screw securing it.
8. Disconnect the J73 and J74 harnesses.
9. Free the harnesses from the clips.
10. Remove the lamp blower fan pack.
11. Disconnect the J75 harness and route free from the harness clips.
12. Disconnect the J72 NFCR harness (A side).
13. To release the top lamp duct module, remove the three screws.

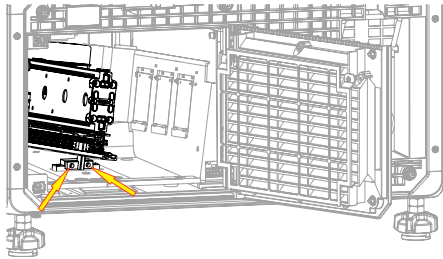


14. To remove the outside lamp duct, loosen the three captive screws.

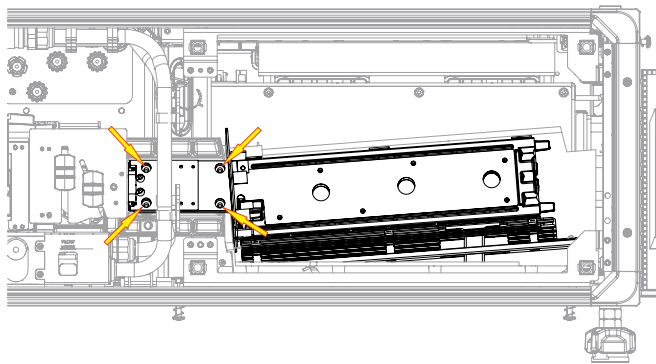


15. Disconnect the J72 inline connection located at the electronics bracket.
16. Slide the outside lamp duct assembly to the front of the projector and remove it.
17. Remove the top duct module.
18. Disconnect the cartridge inline connector from the lamp driver and P89 from the HKBA.

- Remove the two screws from the bottom of the integrator focus module to disengage it from the bottom of the projector.



- Remove the four screws from the front of the integrator focus module connecting it to the zoom and focus module.

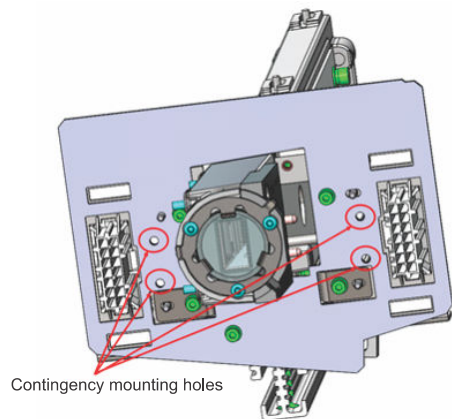


- Slide the integrator module out the side of the projector.

Installing the harness connector backplates to the integrator front bracket

Install the harness connector backplates to the integrator front bracket and if required, replace the integrator front bracket and connector mounting brackets.

- If the integrator front bracket does not have the contingency mounting holes, replace it (011-106558-XX) and the connector mounting brackets (011-105941-XX) from the Boxer Harness Connector kit.



2. Install the two harness connector backplates (011-106859-XX) to the integrator front bracket using the mounting holes as shown.

