

## CP2306-RGBe

Small-screen auditoriums | Boutique cinema | Screening rooms

Advanced, yet affordable, DCI compliant cinema projection with RGB laser illumination for screens up to 36 feet



### Key features:

- › Improved cinema experience – expanded color gamut, greater brightness and contrast
- › Affordable performance – eliminate lamp costs. Higher optical efficiency from laser diodes
- › Future proofed – HFR capable, 3D ready, compatible with 3rd-party IMBs and features AIC support
- › Enhanced Wavelength Diversity (EWD) – suppresses visible speckle using both time and spatial decoherence.
- › Easy to operate – adds UX inspired interface for playback, scheduling and content management
- › Long-lasting light source – delivers stable light output and consistent colors for 30,000 hours



Integrated screen management system enabling seamless content and booth management with built-in automation controller

### LAMPTOLASER.COM

Compare lamp and laser illumination technologies



## Specifications

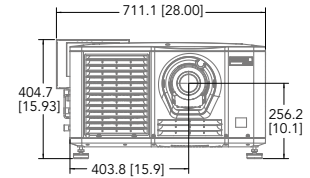
## Christie CP2306-RGBe

Brightness	nominal	• Up to 6000 DCI lumens
	lifetime	• 30,000hrs to 70% brightness (<25°C ambient)
Contrast ratio		• 2000:1 full field on/off
Digital micromirror device		• 0.69" S2K 3-chip DMD DLP Cinema® • 2048 x 1080 pixels (2K)
Color gamut		• >90% of Rec 2020 coverage
Lens mount configuration		• Fully motorized intelligent lens system (ILS)
Lenses		• 1.2 - 1.72 1.33 - 2.1 1.62 - 2.7 2.09 - 3.9
Input line voltage		• Single phase 200-240V
Power Consumption		• 820W <sup>1</sup> max
Laser class		• Class 1 – Risk Group 3
Automation		• GPIO/Health Connector with 4 opto-isolated GPI (inputs), 4 relay driven GPO (outputs), "Projector Health" status – relay driven output • "Serial-over-Ethernet" based automation
Weight		• As installed: 137lbs max (62kg)
Dimensions (w/o lens)	size (LxWxH)	• 27.4 x 27.1 x 15.9" (696 x 688 x 404mm)
Accessories		• Christie IMB-S3 <sup>2</sup> • NAS-S2 4TB storage • NAS-S3 5.4TB storage • Rack mount stand

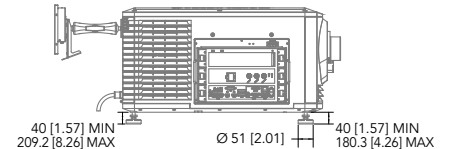
<sup>1</sup> Typical power consumption. May be impacted by environmental conditions.

<sup>2</sup> Supports 3rd party IMB models from Dolby, GDC and others. Please contact Christie for updated compatibility list.

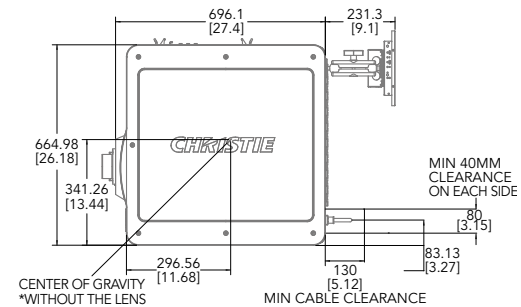
## Front view



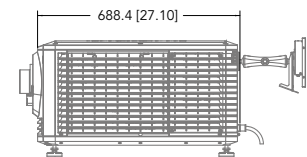
## Side view



## Top view



## Side view



### Corporate offices

### Worldwide offices

Christie Digital Systems USA, Inc. Cypress PH: +1 714-236-8610	Australia PH: +61 (0) 7 3624 4888	China (Shenzhen) PH: +86 755 3680 7000	Mexico PH: +52 (55) 4744-1791	United Arab Emirates PH: +971 (0) 4 503 6800
Christie Digital Systems Canada Inc. Kitchener PH: +1 519-744-8005	Brazil PH: +55 11 3181-2952	Colombia PH: +57 (315) 652-9620	Singapore PH: +65 6877 8737	United Kingdom PH: +44 (0)118 977 8000
	China (Beijing) PH: +86 10 6561 0240	Germany PH: +49 221 99 512-0	South Korea PH: +82 2 702 1601	United States (Arizona) PH: +1 602-943-5700
	China (Shanghai) PH: +86 21 6030 0500	India PH: +91 (080) 6708 9999	Spain PH: +34 (0) 91 633 99 90	United States (Texas) PH: +1 469-757-4420

For the most current specification information, please visit [christiedigital.com](http://christiedigital.com)

Copyright 2023 Christie Digital Systems USA, Inc. All rights reserved. Our centers of excellence for manufacturing in Kitchener, Ontario, Canada and in Shenzhen, China are ISO 9001:2015 Quality Management System-certified. All brand names and product names are trademarks, registered trademarks or tradenames of their respective holders. "Christie" is a trademark of Christie Digital Systems USA, Inc., registered in the United States of America and certain other countries. DLP® and the DLP logo are registered trademarks of Texas Instruments. Performance specifications are typical. Due to constant research, specifications are subject to change without notice.  
CD3858-CINE0094-CP2306-RGBe-Datasheet-Sept-23-EN

