

The top half of the page features a complex, abstract background of overlapping, semi-transparent blue triangles and polygons in various shades of blue, from light to dark. This pattern transitions into a white background at the bottom.

Installation and Setup Guide

020-001933-02

# Inspire Series WUXGA

**CHRISTIE®**

## NOTICES

### COPYRIGHT AND TRADEMARKS

Copyright ©2022 Christie Digital Systems USA Inc. All rights reserved.

All brand names and product names are trademarks, registered trademarks or trade names of their respective holders.

### GENERAL

Every effort has been made to ensure accuracy, however in some cases changes in the products or availability could occur which may not be reflected in this document. Christie reserves the right to make changes to specifications at any time without notice. Performance specifications are typical, but may vary depending on conditions beyond Christie's control such as maintenance of the product in proper working conditions. Performance specifications are based on information available at the time of printing. Christie makes no warranty of any kind with regard to this material, including, but not limited to, implied warranties of fitness for a particular purpose. Christie will not be liable for errors contained herein or for incidental or consequential damages in connection with the performance or use of this material. Canadian manufacturing facility is ISO 9001 and 14001 certified.

For the most current technical documentation and office contact information, visit [www.christiedigital.com](http://www.christiedigital.com).

### WARRANTY

Products are warranted under Christie's standard limited warranty, the details of which are available at <https://www.christiedigital.com/help-center/warranties/> or by contacting your Christie dealer or Christie.

### PREVENTATIVE MAINTENANCE

Preventative maintenance is an important part of the continued and proper operation of your product. Failure to perform maintenance as required, and in accordance with the maintenance schedule specified by Christie, will void the warranty.

### REGULATORY


The product has been tested and found to comply with the limits for a Class A digital device, pursuant to Part 15 of the FCC Rules. These limits are designed to provide reasonable protection against harmful interference when the product is operated in a commercial environment. The product generates, uses, and can radiate radio frequency energy and, if not installed and used in accordance with the instruction manual, may cause harmful interference to radio communications. Operation of the product in a residential area is likely to cause harmful interference in which case the user will be required to correct the interference at the user's own expense. Changes or modifications not expressly approved by the party responsible for compliance could void the user's authority to operate the equipment.

### CAN ICES-3 (A) / NMB-3 (A)

이 기기는 업무용 (A 급) 으로 전자파적합등록을 한 기기이오니 판매자 또는 사용자는 이점을 주의하시기 바라며, 가정 외의 지역에서 사용하는 것을 목적으로 합니다.

### ENVIRONMENTAL



The product is designed and manufactured with high-quality materials and components that can be recycled and reused. This symbol  means that electrical and electronic equipment, at their end-of-life, should be disposed of separately from regular waste. Please dispose of the product appropriately and according to local regulations. In the European Union, there are separate collection systems for used electrical and electronic products.

If printing this documents, consider printing only the pages you need and select the double sided option.

Please help us to conserve the environment we live in!

# Content

- Introduction ..... 5**
  - Safety and warning guidelines ..... 5
    - AC/power precautions ..... 6
    - Installation safety and warning guidelines ..... 6
    - Laser safety precautions ..... 6
  - Product labels ..... 7
  - Projector overview ..... 9
  - Contact your dealer ..... 9
  - Key features ..... 9
  - How the projector works ..... 10
  - List of components ..... 10
  - Product documentation ..... 11
    - Related documentation ..... 11
  
- Installation and setup ..... 12**
  - Site requirements ..... 12
    - Physical operating environment ..... 12
    - Power connection ..... 12
  - Physical specifications ..... 12
  - Projector components ..... 13
    - Front view ..... 13
    - Rear view ..... 14
    - Left view ..... 14
    - Right view ..... 15
  - Built-in keypad ..... 15
  - Input/Output (I/O) panel ..... 16
  - IR remote keypad ..... 17
  - Positioning the display ..... 18
    - Installing the ceiling mount ..... 20
  - Adjusting the Projected Image ..... 21
    - Adjusting the Projector's Height ..... 21
  - Stacking Application ..... 22
  - Cleaning or installing the filter ..... 23
  - Connecting to AC power ..... 24

Turning on the projector . . . . .	25
Turning off the projector . . . . .	25
LED status indicator . . . . .	26
Status LED . . . . .	26
Shutter LED . . . . .	26
Setting up the projector lens . . . . .	27
Adjusting the zoom and focus . . . . .	27
Adjusting lens position . . . . .	27
Resetting the lens to home position . . . . .	27
Calculating the lens offset . . . . .	28
<b>Connecting to devices . . . . .</b>	<b>30</b>
Connecting to a computer . . . . .	30
Connecting to video equipment . . . . .	31
<b>Configuring communications . . . . .</b>	<b>32</b>
Setting network environment . . . . .	32
Adjusting LAN setting . . . . .	32
Adjusting WLAN setting . . . . .	33
Adjusting network setting . . . . .	33
Setting serial port baud rate . . . . .	33
Enabling serial port echo . . . . .	33
Logging on to the web user interface . . . . .	34
Using the web interface . . . . .	34
Using the RS-232C interface . . . . .	34
Re-connecting the network . . . . .	35
<b>Signal connectivity specifications . . . . .</b>	<b>36</b>
VGA video formats . . . . .	36
HDMI video formats . . . . .	39
HDBaseT video formats . . . . .	42
Picture-in-picture/picture-by-picture (PIP/PBP) compatibility . . . . .	45
<b>Regulatory . . . . .</b>	<b>46</b>
Safety . . . . .	46
Laser safety . . . . .	46
Electro-magnetic compatibility . . . . .	46
Emissions . . . . .	46
Immunity . . . . .	46
Environmental . . . . .	47

# Introduction

This manual is intended for Christie qualified installers and trained operators of Inspire Series projection systems.

For complete Inspire Series product documentation and technical support, go to [www.christiedigital.com](http://www.christiedigital.com).

This projector is intended for use in a non-cinema environment.

## Safety and warning guidelines

Read all safety and warning guidelines before installing or operating the projector. This projector must be operated in an environment that meets the operating range specification. Use only the attachments and/or accessories recommended by Christie. Use of others may result in the risk of fire, shock, or personal injury.



**Warning!** If not avoided, the following could result in death or serious injury.

- Do not operate the product without all of its covers in place.
- Only personnel who are trained on the precautions for the restricted access location can be granted entry to the area.
- FIRE HAZARD! Keep hands, clothes, and all combustible material away from the concentrated light beam of the projector.
- TRIP OR FIRE HAZARD! Position all cables where they cannot contact hot surfaces, be pulled, be tripped over, or damaged by persons walking on or objects rolling over the cables.
- SHOCK HAZARD! Disconnect the product from AC before installing, moving, servicing, cleaning, removing components, or opening any enclosure.
- A minimum of two people or appropriately rated lift equipment is required to safely lift, install, or move the product.
- OPTICAL RADIATION HAZARD! Disconnect the power plug from the AC outlet if the product is not being used for an extended period of time.
- Do not allow anything to rest on the power cord.
- Do not use under the following conditions:
  - In extremely hot, cold or humid environments
    - (i) Ensure that the ambient room temperature is within 5 to 40°C (41 to 104 °F), storage -10 to 60°C (14 to 140°F)
    - (ii) Relative humidity is 10% to 85% RH (storage 5% to 90%RH)
  - In areas susceptible to excessive dust and dirt
  - Near any appliance generating a strong magnetic field
  - In direct sunlight



**Caution!** If not avoided, the following could result in minor or moderate injury.

- Always provide proper ventilation for the product to prevent overheating.
- Only Christie qualified technicians are permitted to open product enclosures.
- All procedures must be performed by Christie qualified technicians.



**Notice.** If not avoided, the following may result in equipment or property damage.

- Do not expose the product to moisture.
- Always use a lens plug when installing or moving the product. This prevents contaminants from entering the product.
- Only use cleaning solutions recommended by Christie. All other cleaning solutions may cause product damage and will void the warranty.

## AC/power precautions

Read all AC/power precautions before installing or operating the projector.



**Warning!** If not avoided, the following could result in death or serious injury.

- FIRE HAZARD! Do not use a power cord, harness, or cable that appears damaged.
- FIRE OR SHOCK HAZARD! Do not overload power outlets and extension cords.
- SHOCK HAZARD! Only use the AC power cord provided with the product or recommended by Christie.
- FIRE AND SHOCK HAZARD! Do not attempt operation unless the power cord, power socket, and power plug meet the appropriate local rating standards.
- SHOCK HAZARD! Do not attempt operation if the AC supply is not within the specified voltage and current, as specified on the license label.
- SHOCK HAZARD! The AC power cord must be inserted into an outlet with grounding.
- SHOCK HAZARD! Disconnect the product from AC before installing, moving, servicing, cleaning, removing components, or opening any enclosure.
- Install the product near an easily accessible AC receptacle.

## Installation safety and warning guidelines

Read all installation safety and warning guidelines before installing the projector.



**Warning!** If not avoided, the following could result in death or serious injury.

- High leakage current present when connected to IT power systems.



**Caution!** If not avoided, the following could result in minor or moderate injury.

- ELECTRICAL and BURN HAZARD! Use caution when accessing internal components.
- Only Christie qualified technicians are authorized to use the tools provided in the toolbox.

## Laser safety precautions

This product is classified as Class 1 Laser Product-Risk Group 2 according to IEC 60825-1:2014 complies with FDA regulations 21 CFR 1040.10 and 1040.11 as a Risk Group 2, LIP (Laser Illuminated Projector) as defined in IEC 62471:2006 except for deviations pursuant to Laser Notice No. 50, dated June 24, 2007.



**Warning!** If not avoided, the following could result in death or serious injury.

- This projector has a built-in Class 4 laser module. Never attempt to disassemble or modify the projector.
- Any operation or adjustment not specifically instructed in the User manual creates the risk of hazardous laser radiation exposure.
- Do not open or disassemble the projector as this may cause damage or exposure to laser radiation.
- Do not stare into beam when the projector is on. The bright light may result in permanent eye damage.
- When turning on the projector, make sure no one within projection range is looking into the lens.
- Follow all installation, operation, adjustment, and maintenance procedures to avoid possible exposure to hazardous laser radiation.

## Product labels

Learn about the labels that may be used on the product. Labels on your product may be yellow or black and white.

### General hazards

Hazard warnings also apply to accessories once they are installed in a Christie product that is connected to power.

#### Fire and Shock Hazard



To prevent fire or shock hazards, do not expose this product to rain or moisture.  
Do not alter the power plug, overload the power outlet, or use it with extension cords.  
Do not remove the product enclosure.  
Only Christie qualified technicians are authorized to service the product.

#### Electrical Hazard



Risk of electric shock.  
Do not remove the product enclosure.  
Only Christie qualified technicians are authorized to service the product.



**Notice!** If not avoided, the following could result in property damage.



General hazard.

### Electrical labels



Indicates the presence of an earth ground.

**Laser labels**



Do not look directly into the lens. The extremely high brightness can cause permanent eye damage.



This projector has been classified as Class 1 Laser Product-Risk Group 2 according to the IEC 60825-1:2014 and IEC 62471- 5:2015 standard.

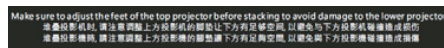
Indicates a light hazard. Do not look directly into the lens. The extreme high brightness can cause permanent eye damage.

Class 1 Laser Product-Risk Group 2 according to Class 1 IEC 60825-1:2014 and IEC 62471-5:2015.

Mount above the heads of children.



Christie recommends using a ceiling mount to place the product above eye-level for children.



Make sure to adjust the feet of the top projector before stacking to avoid damage to the lower projector.



## Projector overview

The Inspire Series is a high brightness, professional projector system designed with laser phosphor technology and Digital Light Processing (DLP™) technology from Texas Instruments. With its superior image quality and high brightness level, the product can be used for various large venue application ranging from fixed installation, rental stage and LBE (Location Based Entertainment), but not intended to use for domestic purpose.

## Contact your dealer

Record the information about your projector and keep this information with your records to assist with the servicing of your projector. If you encounter a problem with your Christie projector, contact your dealer.

Purchase record	
Dealer:	
Dealer or Christie Sales/Service contact phone number:	
Projector serial number: The serial number can be found on the license label	
Purchase date:	
Installation date:	

Ethernet settings	
Default gateway:	
Projector IP address:	
Subnet mask:	

## Key features

Understand the important features of the projector.

- WUXGA 1920 × 1200 resolution
- High picture quality with superb brightness performance
- Powered lens adjustment with lens memory function
- Projection lens compatibility:

DWU760-iS/DWU860-iS/DWU960-iS/DWU960ST-iS:

- Vertical offset ranges with half image size: +/-110%
- Horizontal offset ranges with half image size: +/-50%

Measurements comply with industry standards where offset is calculated as a ratio of the number of pixels shifted up or down to half image size.

- Full HD 3D technology with frame sequential up to 120 Hz

- Christie Twist™ and Mystique™ allow for easy and quick blending and warping.  
Support for Mystique™ camera based alignment system (sold separately)
- A wide range of connectivity including HDMI, HDBaseT, and 3D inputs
- Integrated HDBaseT solution supports HD video streaming through RJ45
- SNMP traps and email notifications
- 10-bit image processor electronics with modular design
- All video formats can be resized to full screen either horizontally or vertically while maintaining aspect ratio.
- The projector can be operated using any of the following:
  - The built-in keypad, the infrared (IR) remote keypad, a wired remote keypad, or a PC/ device using serial communications (Ethernet or RS232)
  - A web page using Ethernet, or from a PC or device using a wireless USB dongle

## How the projector works

The Inspire Series projector accepts a variety of input signals for a wide range of commercial projection applications.

Designed with blue solid-state illumination light sources and phosphor technology, the red, green and blue color elements are modulated by one Digital Micromirror Device (DMD) panel responding to incoming data streams of digitized red, green, and blue color information. As these digital streams flow from the source, light from the responding on pixels of the DMD panel is reflected, converged, and then projected to the screen through projection lenses, where all pixel reflections are superimposed in sharp full-color images.

## List of components

This projector comes with all the items listed below. Check to make sure your package is complete. If anything is missing, contact your dealer.

- IR remote keypad
- Product Safety Guide
- Power cord
- Lens installed into the projector

The list of the optional Accessories:

- Christie One Mount (P/N: 108-506102-XX)
- Dust filter (P/N: 140-140104-XX)

## Product documentation

For installation, setup, and user information, see the product documentation available on the Christie Digital Systems USA Inc. website at [www.christiedigital.com](http://www.christiedigital.com). Read all instructions before using or servicing this product.

1. Access the documentation from the Christie website:
  - Go to this URL: <https://bit.ly/3fXJcI3> or <https://www.christiedigital.com/products/projectors/all-projectors/inspire-series/>
  - Scan the QR code using a QR code reader app on a smartphone or tablet.



2. On the product page, select the model and switch to the **Downloads** tab.

## Related documentation

Additional information on the projector is available in the following documents.

- *Christie Inspire Series Product Safety guide (P/N: 020-001932-XX)*
- *Christie Inspire Series User Manual (P/N: 020-001934-XX)*
- *Christie Inspire Series Service Manual (P/N: 020-001935-XX)*
- *Inspire Series Serial API Commands Technical Reference (P/N: 020-103542-XX)*

## Technical support

Technical support for Christie Enterprise products is available at:

- North and South America: +1-800-221-8025 or [Support.Americas@christiedigital.com](mailto:Support.Americas@christiedigital.com)
- Europe, Middle East, and Africa: +44 (0) 1189 778111 or [Support.EMEA@christiedigital.com](mailto:Support.EMEA@christiedigital.com)
- Asia Pacific ([support.apac@christiedigital.com](mailto:support.apac@christiedigital.com)):
  - Australia: +61 (0)7 3624 4888 or [tech-Australia@christiedigital.com](mailto:tech-Australia@christiedigital.com)
  - China: +86 10 6561 0240 or [tech-supportChina@christiedigital.com](mailto:tech-supportChina@christiedigital.com)
  - India: +91 (80) 6708 9999 or [tech-India@christiedigital.com](mailto:tech-India@christiedigital.com)
  - Japan: 81-3-3599-7481
  - Singapore: +65 6877-8737 or [tech-Singapore@christiedigital.com](mailto:tech-Singapore@christiedigital.com)
  - South Korea: +82 2 702 1601 or [tech-Korea@christiedigital.com](mailto:tech-Korea@christiedigital.com)
- Christie Professional Services: +1-800-550-3061 or [NOC@christiedigital.com](mailto:NOC@christiedigital.com)

# Installation and setup

Learn how to install, connect, and optimize the projector display.

## Site requirements

To safely install and operate the projector, the installation location must have restricted access for authorized personnel only and meet these minimum requirements.

### Physical operating environment

Provides specifications for the operating environment.

- Ambient temperature (operating): 0 to 40°C (32 to 104°F) up to 762 m (2500 feet)
- Humidity (non-condensing): 10% to 85% RH
- Operating altitude: 3048 m (10,000 feet) at 0 to 30°C (32 to 86°F) ambient temperature

### Power connection

The projector uses an AC power system that allows the projector to operate at full brightness with a power supply ranging from 100 to 240 VAC, depending on the models and regions. Operating the device outside of the voltage range may cause unsatisfactory operation or damage to the projector.

Christie recommends a 20 A rated wall breaker for the installation. To ensure safe operation, only use the AC power cord provided with the product or recommended by Christie. See [Connecting to AC power](#) on page 24 for further information on the power requirements.

## Physical specifications

Learn the dimensions and weight of the projector before installation.

- Projection size (L x W x H): 18.8" x 15.9" x 6.1" (480 x 406 x 157 mm)
- Shipping size (L x W x H): 25.5" x 22.4" x 14.9" (650 x 570 x 380 mm)
- Weight:
  - DWU760-iS: 12.9 kg (28.4 lbs)
  - DWU860-iS, DWU960-iS, and DWU960ST-iS: 13.85 kg (30.5 lbs)

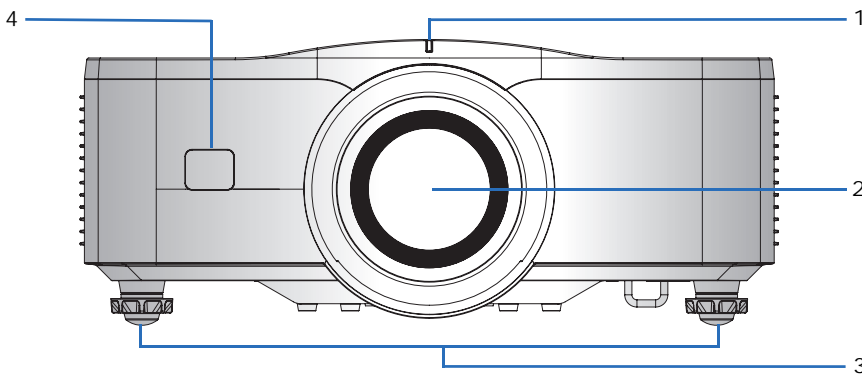
- Shipping weight:
  - DWU760-IS: 16.45 kg (36.2 lbs)
  - DWU860-IS, DWU960-IS, and DWU960ST-IS: 17.4 kg (38.3 lbs)

## Projector components

Identify the main components of the projector.

### Front view

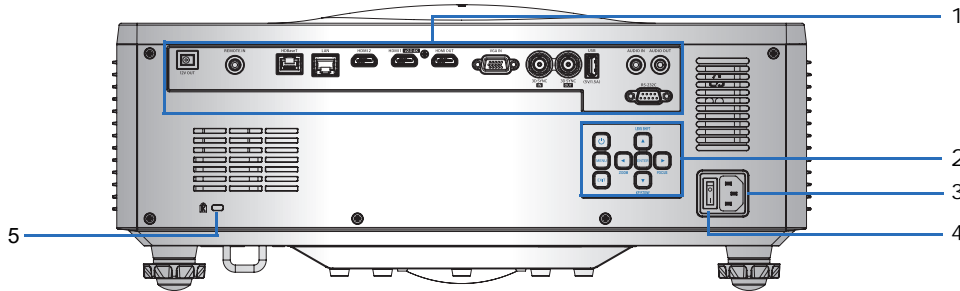
Identify the main components on the front of the projector.



ID	Part name	Description
1	LED status indicators	Displays the status of the projector.
2	Projection lens	Allows powered and adjustment: vertical and horizontal offsets, zoom, and focus.
3	Adjustable feet	Raises or lowers the feet to level the projector.
4	Front IR sensor	Receives signals from the IR remote keypad. Keep the signal path to the sensors unobstructed for uninterrupted communication with the projector.

## Rear view

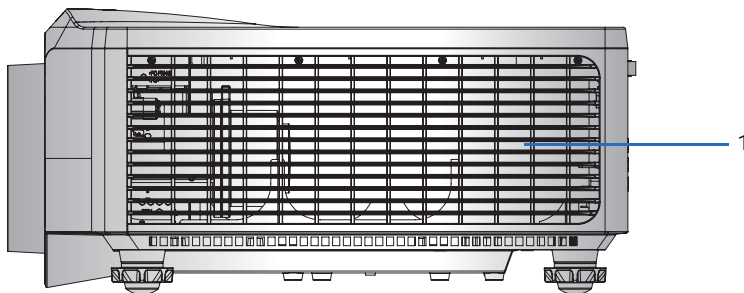
Identify the main components on the rear of the projector.



ID	Part name	Description
1	Input/Output (I/O) panel	Connects the projector to external devices.
2	Built-in keypad	Controls the projector.
3	AC input	Connects to the supplied power adapter.
4	Power button	Powers the projector on or off.
5	Kensington lock	Secures the projector to counter tops, tables, and so on.

## Left view

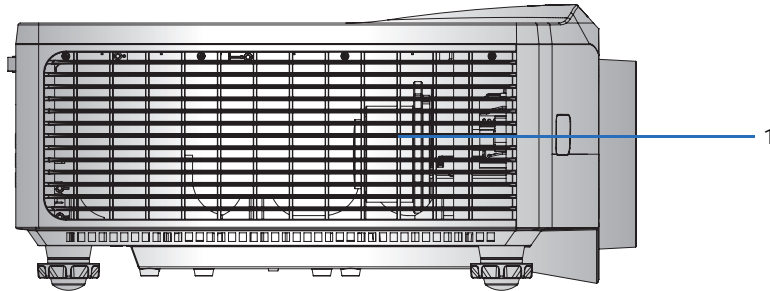
Identify the main components on the left side of the projector.



ID	Part name	Description
1	Cooling air vents (intake)	Provides cooling to the projector. Keep these vents unobstructed to prevent the projector from overheating.

## Right view

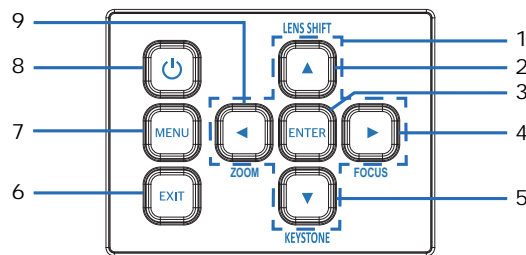
Identify the main components on the right side of the projector.



ID	Part name	Description
1	Cooling air vents (exhaust)	Provides cooling to the projector. Keep these vents unobstructed to prevent the projector from overheating.

## Built-in keypad

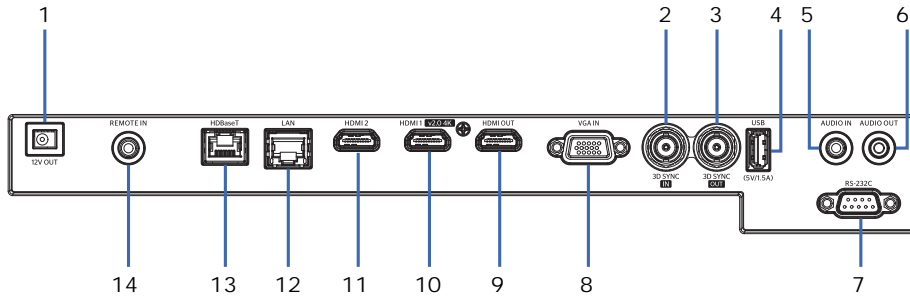
The built-in keypad controls the projector.



ID	Button	Description
1	Four Directional Select Keys	Use ▲▼◀▶ to select items or make adjustments to your selection.
2	LENS SHIFT ▲	Adjusts the lens setting.
3	ENTER	Confirms your item selection.
4	FOCUS ▶	Adjusts the image focus.
5	KEYSTONE ▼	Adjusts keystone.
6	EXIT	Exits the current page and returns to the previous page.
7	MENU	Press MENU to launch the on-screen display (OSD) menu. To exit the OSD, press MENU or EXIT again.
8	Power	Turns the projector on or off.
9	ZOOM ◀	Adjusts the image size.

# Input/Output (I/O) panel

Identify the components of the Input/Output (I/O) panel.



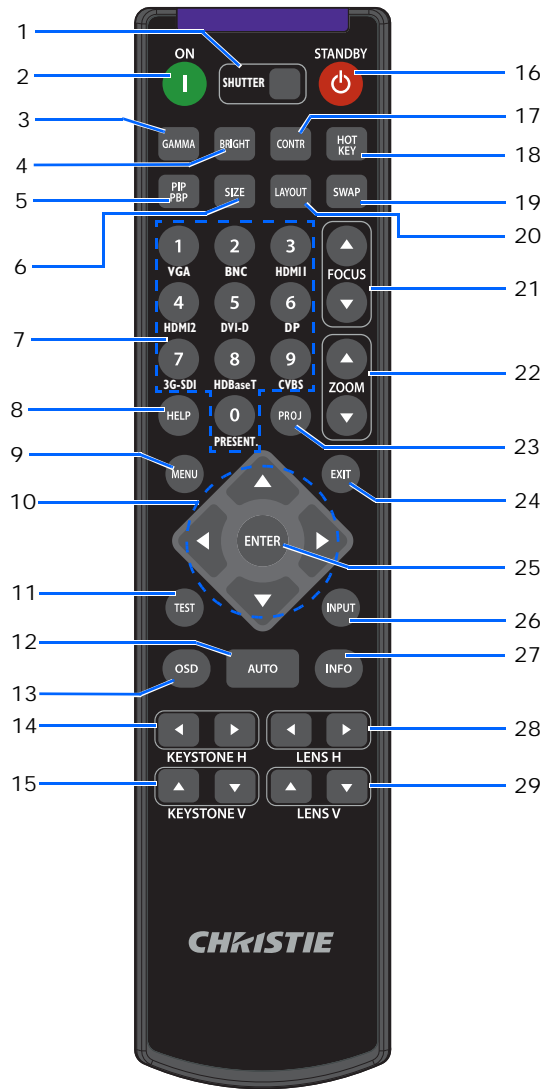
ID	Connector name	ID	Connector name
1	12V OUT	8	VGA IN
2	3D SYNC (IN)	9	HDMI OUT
3	3D SYNC (OUT)	10	HDMI1 (v2.0 4K)
4	USB (5V/1.5A)	11	HDMI2
5	AUDIO IN	12	LAN
6	AUDIO OUT	13	HDBaseT
7	RS232-C	14	REMOTE IN



## IR remote keypad

The IR remote keypad communicates with the projector by way of wireless communications.

If you choose to use a cable, not supplied, it must be 20 m (65.7 feet) or less. If the length of cable exceeds 20 m (65.7 feet), the IR remote keypad may not work correctly.



ID	Button	Description
1	SHUTTER	Displays or blanks the video image.
2	ON	Turns the projector on.
3	GAMMA	Adjusts the mid-range levels.
4	BRIGHT	Adjusts the amount of light in the image.

ID	Button	Description
5	PIP PBP	Turns picture-in-picture/picture-by-picture (PIP/PBP) on or off.
6	SIZE	Adjusts the PIP/PBP size.
7	Number Keys	Enter a number, such as a channel, value, and so on. The on-screen display (OSD) indicates if a function is not supported.
8	HELP	Displays the instructions for source connection.
9	MENU	Displays the menus.
10	Arrow Keys	Adjusts a setting up or down to navigate within a menu.
11	TEST	Displays a test pattern.
12	AUTO	Automatically optimizes an image.
13	OSD	Hides or shows OSD menus.
14	KEYSTONE H	Adjusts the horizontal keystone.
15	KEYSTONE V	Adjusts the vertical keystone.
16	STANDBY	Turns the projector off.
17	CONTR	Adjusts the difference between dark and light.
18	HOTKEY	Selects your preset key quickly.
19	SWAP	Swaps the main and PIP/PBP images.
20	LAYOUT	Adjusts the PIP/PBP layout.
21	FOCUS	Adjusts the focus to improve image clarity as required.
22	ZOOM	Adjusts the zoom to achieve a required image size.
23	PROJ	Changes the IR remote keypad ID. <ul style="list-style-type: none"> <li>To assign an ID, press <b>PROJ</b> + &lt;<b>1</b> to <b>9</b>&gt;.</li> <li>To return to the universal IR remote ID, press <b>PROJ</b> + <b>0</b>.</li> </ul>
24	EXIT	Returns to the previous level or exits menus if at the top level.
25	ENTER	Selects a highlighted menu item, or changes or accepts a value.
26	INPUT	Selects an input for the main or PIP/PBP image.
27	INFO	Displays the projector information.
28	LENS H	Adjusts the position of the image horizontally.
29	LENS V	Adjusts the position of the image vertically.

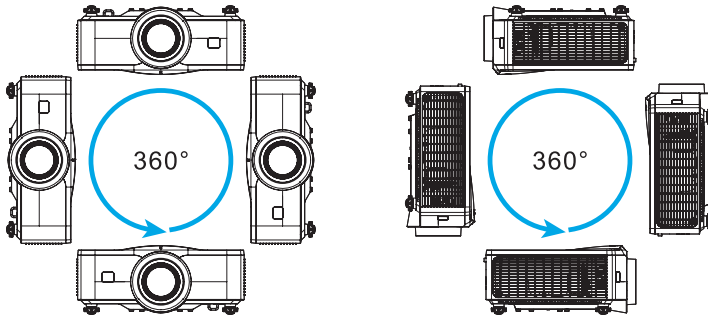
## Positioning the display

When you select a position for the projector, consider the size and shape of your screen, the location of your power outlets, and the distance between the projector and the rest of your equipment. Follow these general guidelines:

- Position the projector on a flat surface at a right angle to the screen. The projector (with the standard lens) must be at least 1.33 m (4.3 feet) from the projection screen.
- Position the projector to the required distance from the screen. The distance from the lens of the projector to the screen, the zoom setting, and the video format determine the size of the projected image.
- Determine the lens throw ratio.

For more information detailing the throw ratio for each lens, refer to the *Inspire Series Lens Throw Ratios Technical Reference (P/N: 020-103497-XX)*.

- 360 degree free orientation operation



When installing the projector in portrait orientation, Christie recommends the built in keypad and power inputs face upwards. This allows access to the built in keypad and power connections during operation.

## Installing the ceiling mount

The projector can be inverted and suspended from the ceiling using a specially designed ceiling mount fixture (Christie One Mount P/N: 108-506102-XX). For more information, contact your dealer.



**Warning!** If not avoided, the following could result in death or serious injury.

- When not mounted properly, the projector may fall.
- Keep at least 15 mm (0.6 inches) gap between the ceiling mount and the bottom intake vents of the projector.
- Avoid installing the projector near a heat source.



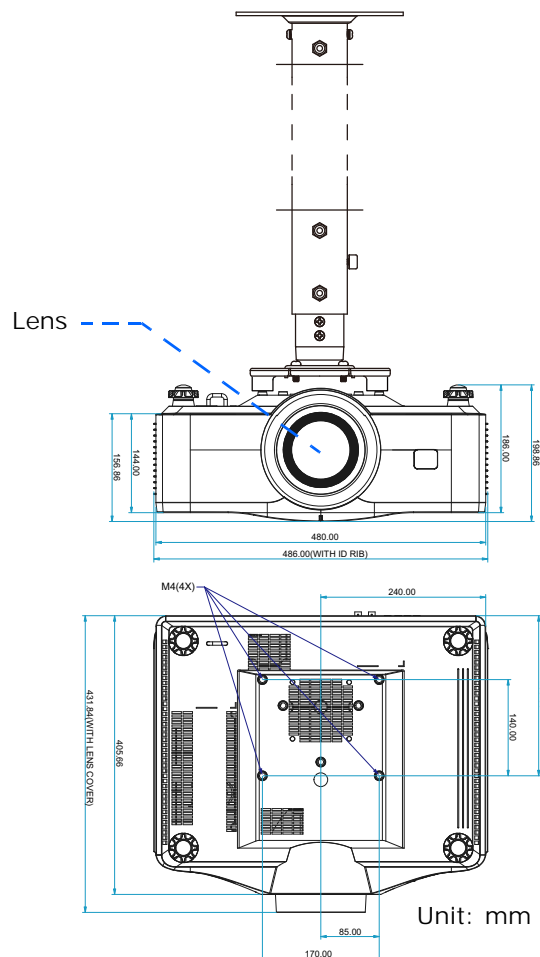
**Caution!** If not avoided, the following could result in minor or moderate injury.

- The warranty on this projector does not cover damage caused by the use of a non-recommended ceiling mount kit or installation of the ceiling mount kit in an improper location.



- Refer to the installation instructions and safety guidelines provided in the kit (such as Christie One Mount, P/N: 108-506102-XX).
- Damage resulting from incorrect installation voids the warranty.

1. To prevent damage to your projector, use the Christie-recommended ceiling mount.
2. To use a third party ceiling mount kit, ensure the screws used to attach a mount to the projector meet the following specifications:
  - Screw type: 35 mm for Christie One Mount 108-506102-XX



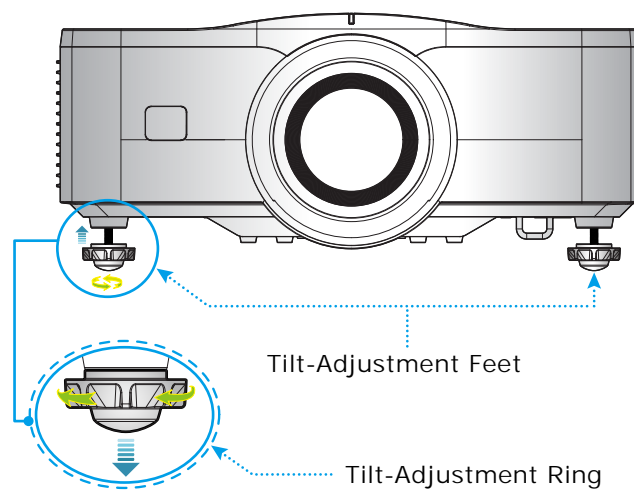
## Adjusting the projected image

Adjust the projected image's height and horizontal tilt for better viewing.

### Adjusting the height of the projector

The projector is equipped with elevator feet for adjusting the image height.

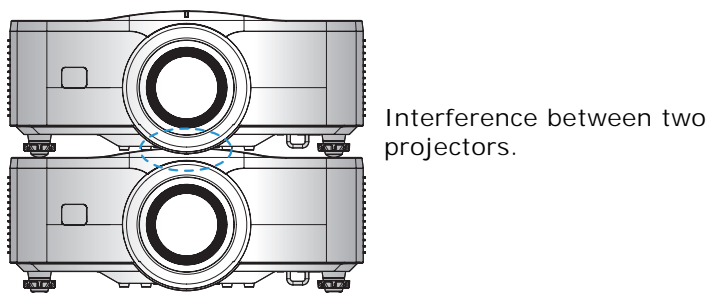
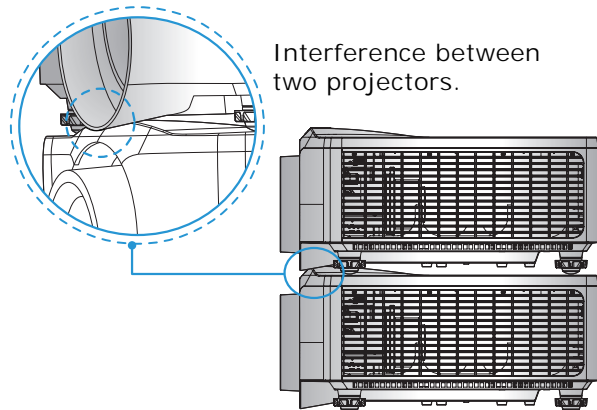
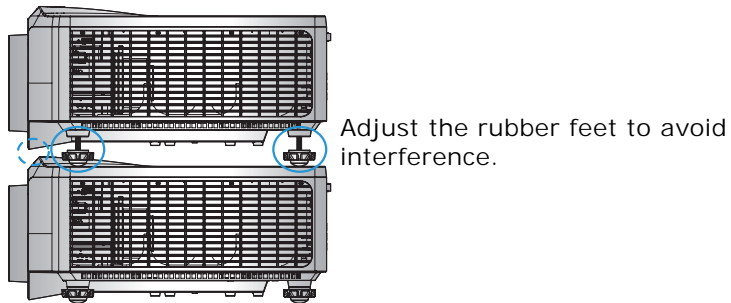
1. Locate the adjustable foot you want to modify on the bottom of the projector.
2. Rotate the adjustable ring clockwise to raise the projector or counter clockwise to lower it.
3. Repeat with the remaining feet as needed.



For stacking application, the elevator feet of the upper projector must be adjusted to increase the height of this projector to avoid the interference between two projectors. For more information on stacking projectors, refer to [Stacking application](#) on page 22.

## Stacking application

If two projectors are mounted on top of each other without using a frame, adjust the feet of the upper projector to avoid the interference between the two projectors. The maximum adjustable range of the rubber foot is 13 mm (0.5 inches).

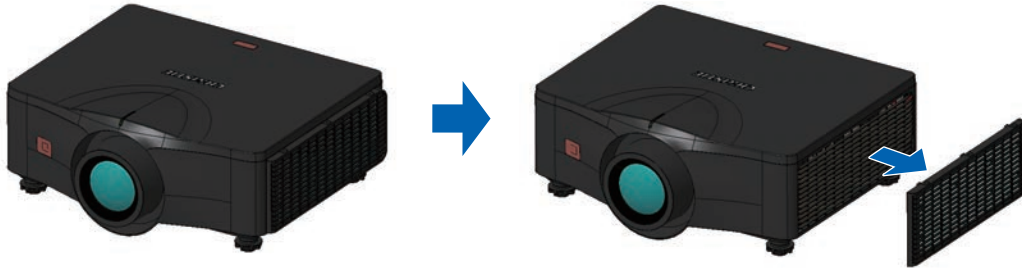


## Cleaning or installing the filter

For dusty environments, Christie recommends purchasing the optional accessory dust filter (P/N: 140-148104-XX).

Regularly clean or replace the filters in the projector to ensure dust and other foreign materials are kept out of the projector.

1. Turn off the projector.



2. Remove the filter cover.
3. Remove the filter from its compartment.
4. Clean or replace the filter.

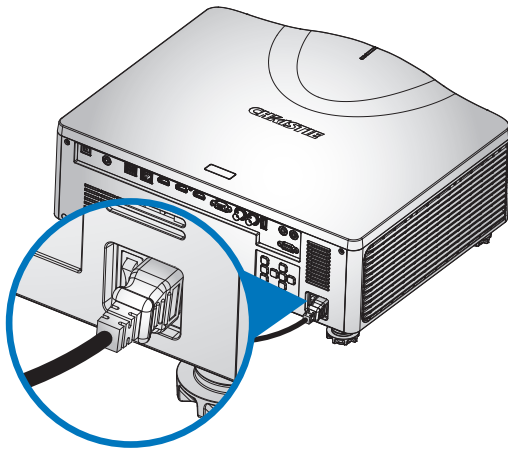
In environments where dust, dirt, and other contaminants are higher than normal, Christie recommends replacing the air filter more frequently than 500 hours as specified in the current maintenance schedule.

## Connecting to AC power

To operate the projector at full brightness, make sure the power supply meets the power requirements for Inspire Series projectors. For more information, refer to [Power connection](#) on page 12.

Model name	Parameter	Power requirements
DWU760-iS	Power rating	100 to 240 VAC, 50/60 Hz, 5.0A
	Power consumption	500 W maximum
DWU860-iS	Power rating	100 to 240 VAC, 50/60 Hz, 6.5A
DWU960-iS	Power consumption	650 W maximum
DWU960ST-iS		

To ensure safe operation, only use the AC power cord provided with the product or recommended by Christie. Connect the AC power cord to the AC inlet on the projector.






## Turning on the projector

The projector cables must be securely connected before turning the power on.






**Warning!** If not avoided, the following could result in death or serious injury.

- Do not look into the projector lens when the laser is on. The bright light may result in permanent eye damage.

1. Plug the projector in to AC power.  
The Power button on the built in keypad is illuminated when the power cables are connected.
2. Ensure that no one or no objects are in the beam path before turning on the projector.
3. To turn on the projector, on the IR remote keypad or on the built-in keypad press .  
The status LED is green with a long blink.
4. To select an input source and turn it on, on the IR remote keypad select **INPUT**.  
Available input sources are VGA, HDMI1, HDMI2, and HDBaseT.  
The projector detects the source you selected and displays the image.
5. If using the projector for the first time, select a preferred language from the Main Menu after the startup screen is displayed.

## Turning off the projector

Power off the projector in preparation for inspection or maintenance.

1. To turn the projector off, on the IR remote keypad or built-in keypad press .  
A warning message appears on the displayed image.
2. To confirm your selection, press  again.  
If you do not press  again, the warning message disappears after three seconds and the projector remains on.

When a malfunction or system failure occurs,

1. Turn off the projector.
2. Disconnect the power plug.
3. Connect the plug of the power cable to the projector.
4. Turn on the device.
5. If steps 1 to 4 did not lead to the required result, contact Christie Technical Support or an authorized Christie service center.

## LED status indicator

LED status indicator helps identify the projector state. LEDs are defined below.

### Status LED

Identify the LED state colors and meaning.

LED status	Projector state
Off	AC power is off (without AC plugged in).
Green (flashing)	Projector is starting up.
Green (solid)	System is operating normally.
Blue (flashing)	Projector is cooling down.
Blue (solid)	Projector is in standby mode.
Yellow (flashing)	A problem exists with the projector that does not cause it to shut down. Examples of warnings include: filter needs changing, one of the pumps is damaged, or a fan is operating at full speed due to over temperature of laser diode (LD) driver.
Yellow (solid)	The end user is turning off the projector while it is in a warning state.
Red (flashing)	An error with the projector exists causing it to shut down. Examples of errors include: fan failure, over temperature, wrongly installed filter, or color wheel (CW) failure.
Red (solid)	The user is turning off the projector while it is in an error state.
White (flashing)	Projector is in a flash (LAN) update state.

### Shutter LED

Identify the shutter LED state colors and meaning.

LED Status	Projector State
Off	Projector is on and an image is displayed. Shutter is open.
Magenta (solid)	Projector is on and the image is blank. Shutter is closed.

## Setting up the projector lens

Set up the projector lens to adjust the image size, focus, and position.

### Adjusting the zoom and focus

Ensure that the image reflected from the digital micromirror device (DMD) is parallel and centered with the lens and screen.

1. Display an image or test pattern that can be used to analyze image focus and geometry.
2. Press **ZOOM** on keypad or remote control.  
You can also select **MENU > Configuration > Lens Settings > Zoom**.
3. Use the up and down arrow keys to zoom in or out of the image.
4. To exit the menu, press **EXIT**.
5. Press **FOCUS** on keypad or remote control.  
You can also select **MENU > Configuration > Lens Settings > Focus**.
6. Use the up and down arrow keys to adjust the focus of the image.
7. To exit the menu, press **EXIT**.
8. To refine your adjusts, repeat steps 2 to 7.

### Adjusting lens position

Shift the lens to the specific position.

1. Display an image or test pattern that can be used to analyze image location.
2. Press **LENS SHIFT** (up button) on keypad or **LENS H/LENS V** on remote control.  
You can also select **MENU > Configuration > Lens Settings > Lens Shift**.
3. Use the arrow keys to adjust the lens position.  
For best lens performance, keep the shift values within the lens offset ranges. For more information, refer to [Calculating the lens offset](#) on page 28.
4. To exit the menu, press **EXIT**.

### Resetting the lens to home position

Set the lens offset back to the home position.

1. Press **LENS SHIFT** on keypad or **LENS H/LENS V** on remote control.  
You can also select **MENU > Configuration > Lens Settings > Lens Calibration**.
2. Press **ENTER**.
3. To start the lens calibration, select **OK**.

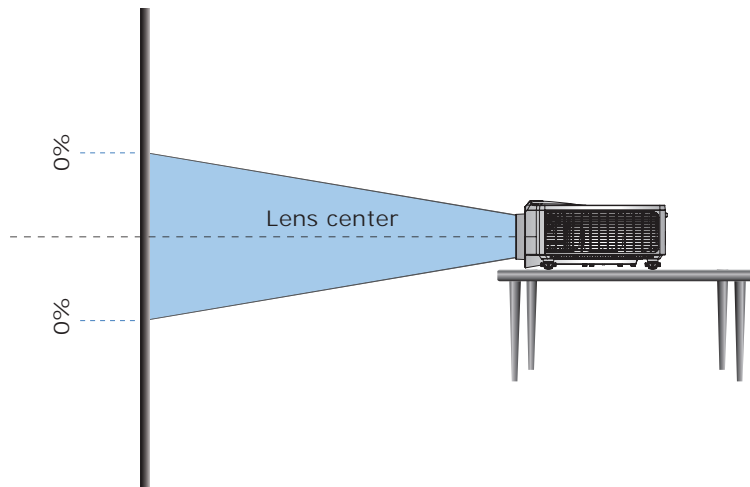
## Calculating the lens offset

Adjust the lens offset (shift) to align the image on the screen with half image size. To ensure optimal projector and lens performance, Christie recommends keeping the offset (shift) values within the ranges specified below.

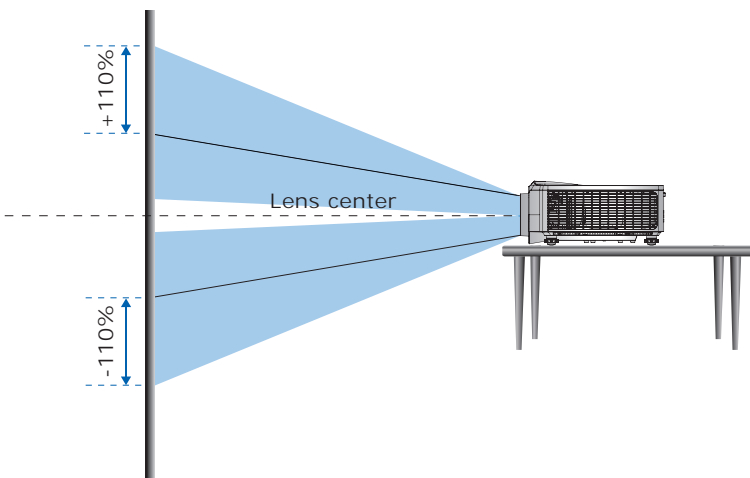
- The vertical image offset (shift) range for the projector is up to +/-110% (WUXGA).
- The horizontal image offset (shift) range for the projector is up to +/-50% (WUXGA).
- The method for calculating lens offset complies with industry standards, with which the image offset is calculated by half image size. For example for vertical lens offset:
  - At 0% offset (or on axis), the center of the image is on the lens center, so half of the image appears above and half appears below the lens center.
  - At +100% offset, all of the image appears above the lens center.

The following show the vertical and horizontal image offsets for the Inspire Series WUXGA projectors:

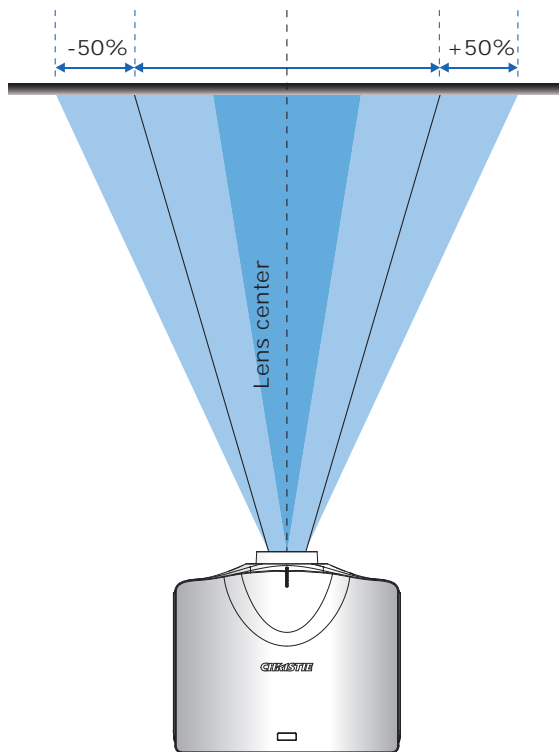
- Vertical image offset: 0%



- WUXGA Vertical image offset: +/-110%



- Horizontal image offset: +/-50%

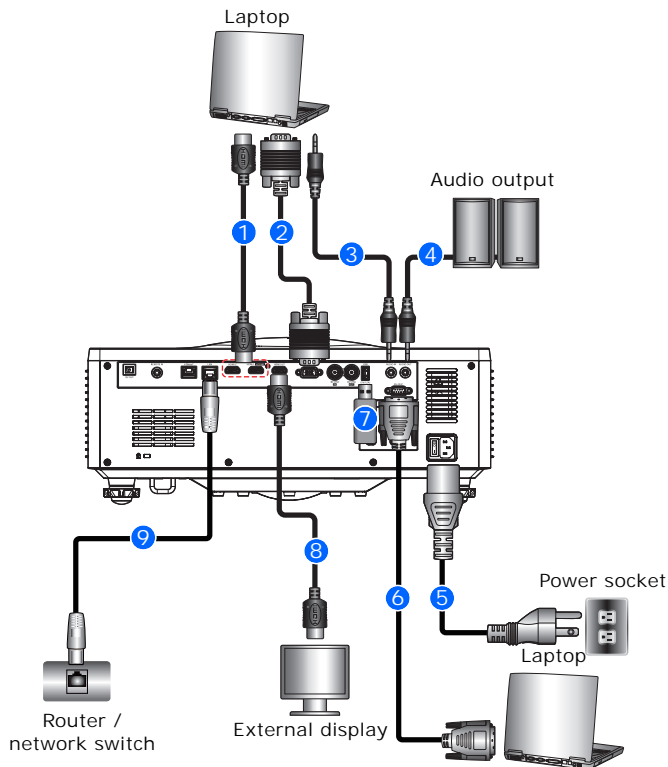


# Connecting to devices

This section covers the information on connecting the Inspire Series projector to a computer and video equipment.

## Connecting to a computer

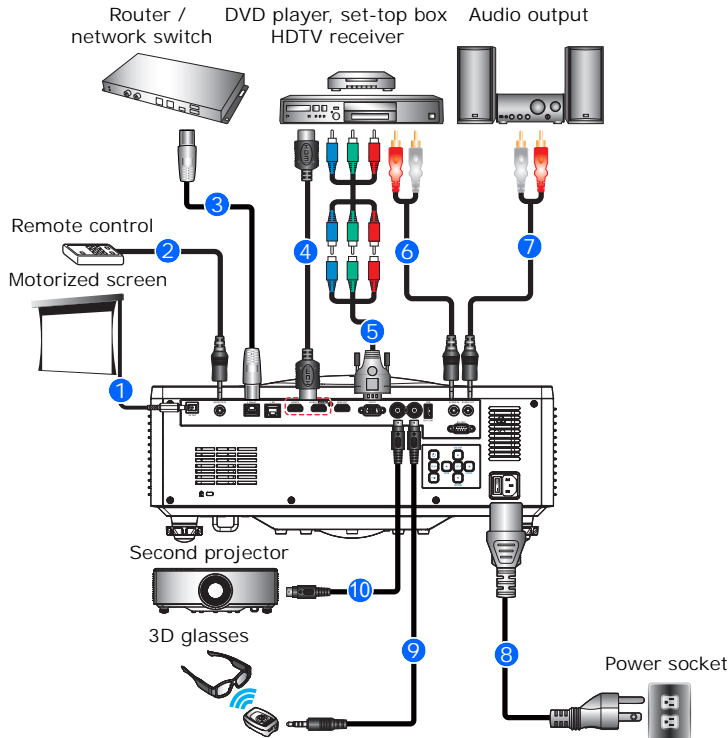
Learn what cables/connectors can be used to connect to various devices.



ID	Connector name	ID	Connector name
1	HDMI cable	6	RS232 cable
2	VGA in cable	7	USB disk
3	Audio cable	8	HDMI cable
4	Audio cable	9	RJ-45 cable
5	Power cord		

# Connecting to video equipment

Learn what cable/connectors may be used to connect to various video sources.



ID	Connector name	ID	Connector name
1	12V DC jack	6	Audio cable
2	Wired remote control cable	7	Audio cable
3	RJ-45 cable	8	Power cord
4	HDMI cable	9	3D emitter cable
5	RCA component cable	10	BNC cable



- After connecting the projector to an input device, the projector automatically detects the input source. You can also select an input source by pressing **INPUT**.
- Due to the difference in applications for each country, the accessories required in some regions may differ from those shown.
- The diagrams are for illustrative purposes only and do not indicate these accessories are supplied with the projector.

# Configuring communications

Define and control how single or multiple projectors are linked with each other and with controlling device.

## Setting network environment

Determine the communication settings such as network setup, serial port information, and so on.

### Adjusting LAN setting

Set up network configuration for wire networking.

1. Select **MENU > Configuration > Communications > LAN**.
2. Set up the appropriate setting:
  - **MAC Address**—Display the network MAC address value.
  - **Network Status**—Connect or disconnect Network status.
  - **LAN Interface**—Choose from RJ-45 or HDBaseT.
  - **DHCP**—Enable or disable the DHCP to automatically get IP address, subnet mask, and so on.
  - **IP Address**—Assign the network IP address.
  - **Subnet Mask**—Assign the network subnet mask.
  - **Default Gateway**—Assign the network default gateway.
  - **Primary DNS**—Assign the primary DNS.
  - **Secondary DNS**—Assign the secondary DNS.
3. To apply the LAN settings, select **Apply**.



## Adjusting WLAN setting

Set up network configuration for wireless networking.

1. Select **MENU > Configuration > Communications > WLAN**.
2. Set up the appropriate setting:
  - **SSID**—Display the SSID of the wireless network.
  - **Enable**—Enable or disable the wireless functionality.
  - **Start IP**—Assign the start IP address of the wireless network.
  - **End IP**—Assign the end IP address of the wireless network.
  - **Subnet Mask**—Assign the subnet mask of the wireless.
  - **Default Gateway**—Assign the gateway of the wireless.
3. To apply the WLAN settings, select **Apply**.

## Adjusting network setting

Set up network configuration setting, such as reset back to default.

1. Select **MENU > Configuration > Communications > Network**.
2. Set up the appropriate network setting:
  - **Projector Name**—Display the name of the projector. User can change the name of the projector by web user interface.
  - **Show Network Message**—Enable or disable to display of the network message.
  - **Reset to Default**—Reset the network configuration setting, including LAN setting and WLAN setting, back to default.
3. To apply the network configuration, press **ENTER**.

## Setting serial port baud rate

Select the serial port and baud rate.

1. Select **MENU > Configuration > Communications > Serial Port Baud rate**.
2. Set up the appropriate baud rate.
3. To confirm the selection, press **ENTER**.

## Enabling serial port echo

Enable or disable to allow the CLI command pass through.

1. Select **MENU > Configuration > Communications > Serial Port Echo**.
2. To swap, press **ENTER**.

## Logging on to the web user interface

Log on to the web user interface by following the steps below.

1. Connect the projector to AC and power it on.
2. When network is available, connect the projector and computer to the same network.
  - a. To check the projector address in a wired network, select **MENU > Configuration > Communications > LAN > IP Address.**
  - b. To check the projector address in a wireless network, select **MENU > Configuration > Communications > WLAN > Default Gateway.**
3. If network is unavailable, connect the projector to the computer with an RJ45 cable.
  - a. Set the Default Gateway and Subnet Mask of the computer to match the projector.
  - b. Set the IP address of the computer to match the first three numbers of the projector.  
For example, if the projector IP address is 192.168.000.100, set the computer IP address to 192.168.000.xxx, where xxx is not 100.
4. Open a web browser and type the projector address in the browser address bar.
5. In the Username field, type the username.  
The default username is admin.
6. In the Password field, type the password.  
The default password is projector serial number.
7. Click **Login**.

## Using the web interface

To control the projector through the web interface, do the following:

1. Start up the web browser on your computer or mobile devices.
2. Enter the IP address set on the projector into the URL of the web browser.
3. Enter the user name and password to login.
4. After a successful login, you can control the projector over the web interface.

## Using the RS-232C interface

To control the projector through the RS-232C interface, do the following:

1. Connect your computer and the projector directly using the RS-232 cable.
2. Set the same baud rate in both your computer and projector.
3. Use commands to control the projector.

## Re-connecting the network

After the network is disconnected and timeout using RJ-45/HDBaseT/Wifi, the browser refreshes the page automatically and shows HTTP404 (Not Found) error message.

If the user wants to re-control the projector, the user must log into the control page with account and password again.

# Signal connectivity specifications

Identify the signal connectivity specifications for the Inspire Series projector.

The list of formats listed below are not exhaustive and other formats may be supported. For more information, contact Christie Technical Support.

## VGA video formats

Identify the video formats for the VGA input.

Signal type	Signal format	Resolution	Aspect ratio		V sync (Hz)	RGB	YPbPr	
PC	VGA	640 x 350			85	V	X	
		640 x 400		16:10	85	V	X	
		640 x 480	1.33	4:3	60	V	X	
					72	V	X	
					75	V	X	
					85	V	X	
		720 x 400	1.8	9:5	70	V	X	
					85	V	X	
		SVGA	800 x 600	1.33	4:3	60	V	X
						72	V	X
	75					V	X	
	85					V	X	
	832 x 624					75	V	X
	848 x 480				60	V	X	
	XGA	1024 x 768	1.33	4:3	60	V	X	
					70	V	X	

Signal type	Signal format	Resolution	Aspect ratio		V sync (Hz)	RGB	YPbPr
PC	XGA	1024 x 768	1.33	4:3	75	V	X
					85	V	X
	SXGA	1152 x 864	1.32		75	V	X
		1152 x 870			75	V	X
	WXGA	1280 x 768	1.67	5:3	60	V	X
					75	V	X
					85	V	X
		1280 x 800	1.6	16:10	60	V	X
					75	V	X
					85	V	X
	SXGA	1280 x 960	1.33	4:3	60	V	X
					85	V	X
		1280 x 1024	1.25	5:4	60	V	X
					75	V	X
	WXGA	1360 x 768	1.78	16:9	60	V	X
		1366 x 768				V	X
	SXGA+	1400 x 1050	1.33	4:3		V	X
	WXGA+	1440 x 900	1.6	16:10	60	V	X
					75	V	X
	WXGA++	1600 x 900	1.78	16:9	60	V	X
UXGA	1600 x 1200	1.33	4:3	50	V	X	
				60	V	X	
WSXGA+	1680 x 1050	1.6	16:10		V	X	
WUXGA RB	1920 x 1200RB			50	V	X	
				60	V	X	
TV	SDTV (480i)	720 x 480	1.5	3:2	59.94	V	V
					60	V	V
	SDTV (576i)	720 x 576	1.25	5:4	50	V	V
	EDTV (480p)	720 x 480	1.5	3:2	59.94	V	V
					60	V	V
	EDTV (576p)	720 x 576	1.25	5:4	50	V	V

Signal type	Signal format	Resolution	Aspect ratio		V sync (Hz)	RGB	YPbPr	
TV	HDTV (1080i)	1920 x 1080	1.78	16:9	50	V	V	
					59.94	V	V	
					60	V	V	
	HDTV (720p)	1280 x 720				50	V	V
						59.94	V	V
						60	V	V
	HDTV (1080p)	1920 x 1080				23.98	V	V
						24	V	V
						25	V	V
						29.97	V	V
						30	V	V
						50	V	V
						59.94	V	V
						60	V	V

(V): Video format is supported.

(X): Video format is not supported.

# HDMI video formats

Identify the video formats for the HDMI input.

Signal type	Signal format	Resolution	Aspect ratio		V sync (Hz)	RGB			YCbCr 4:4:4			YCbCr 4:2:2	
						8 bit	10 bit	12 bit	8 bit	10 bit	12 bit	8 bit	
PC	VGA	640 x 350			85	V	V	V	V	V	V	V	
		640 x 400		16:10	85	V	V	V	V	V	V	V	
		640 x 480	1.33	4:3	60	V	V	V	V	V	V	V	V
					72	V	V	V	V	V	V	V	
					75	V	V	V	V	V	V	V	
					85	V	V	V	V	V	V	V	
		720 x 400	1.8	9:5	70	V	V	V	V	V	V	V	
					85	V	V	V	V	V	V	V	
		SVGA	800 x 600	1.33	4:3	60	V	V	V	V	V	V	V
						72	V	V	V	V	V	V	V
	75					V	V	V	V	V	V	V	
	85					V	V	V	V	V	V	V	
	120					V	V	V	V	V	V	V	
	832 x 624				75	V	V	V	V	V	V		
	848 x 480			60	V	V	V	V	V	V			
	XGA	1024 x 768	1.33	4:3	60	V	V	V	V	V	V	V	
					70	V	V	V	V	V	V	V	
					75	V	V	V	V	V	V	V	
					85	V	V	V	V	V	V	V	
					120	V	V	V	V	V	V	V	
	SXGA	1152 x 864			75	V	V	V	V	V	V		
		1152 x 870	1.32		75	V	V	V	V	V	V		
	WXGA	1280 x 768	1.67	5:3	60	V	V	V	V	V	V	V	
					75	V	V	V	V	V	V	V	
					85	V	V	V	V	V	V	V	
		1280 x 800	1.6	16:10	60	V	V	V	V	V	V	V	
					75	V	V	V	V	V	V	V	
					85	V	V	V	V	V	V	V	
				120	V	V	V	V	V	V			

Signal type	Signal format	Resolution	Aspect ratio		V sync (Hz)	RGB			YCbCr 4:4:4			YCbCr 4:2:2	
						8 bit	10 bit	12 bit	8 bit	10 bit	12 bit	8 bit	
PC	SXGA	1280 x 960	1.33	4:3	60	V	V	V	V	V	V	V	V
					85	V	V	V	V	V	V	V	V
					60	V	V	V	V	V	V	V	V
		1280 x 1024	1.25	5:4	60	V	V	V	V	V	V	V	V
					75	V	V	V	V	V	V	V	V
					85	V	V	V	V	V	V	V	V
	WXGA	1360 x 768	1.78	16:9	60	V	V	V	V	V	V	V	V
		1366 x 768				V	V	V	V	V	V	V	V
	SXGA+	1400 x 1050	1.33	4:3		V	V	V	V	V	V	V	V
	WXGA+	1440 x 900	1.6	16:10	60	V	V	V	V	V	V	V	V
					75	V	V	V	V	V	V	V	V
					85	V	V	V	V	V	V	V	V
	WXGA++	1600 x 900	1.78	16:9	60	V	V	V	V	V	V	V	V
	UXGA	1600 x 1200	1.33	4:3	50	V	V	V	V	V	V	V	V
					60	V	V	V	V	V	V	V	V
	WSXGA+	1680 x 1050	1.6	16:10		V	V	V	V	V	V	V	V
WUXGA RB	1920 x 1200RB	50			V	V	V	V	V	V	V	V	
		60	V	V	V	V	V	V	V	V			
TV	SDTV (480i)	720 x 480	1.5	3:2	59.94	V	V	V	V	V	V	V	V
					60	V	V	V	V	V	V	V	V
	SDTV (576i)	720 x 576	1.25	5:4	50	V	V	V	V	V	V	V	
	EDTV (480p)	720 x 480	1.5	3:2	59.94	V	V	V	V	V	V	V	V
					60	V	V	V	V	V	V	V	V
	EDTV (576p)	720 x 576	1.25	5:4	50	V	V	V	V	V	V	V	
	HDTV (1080i)	1920 x 1080	1.78	16:9	50	V	V	V	V	V	V	V	V
					59.94	V	V	V	V	V	V	V	V
					60	V	V	V	V	V	V	V	V
	HDTV (720p)	1280 x 720	1.78	16:9	50	V	V	V	V	V	V	V	V
					59.94	V	V	V	V	V	V	V	V
					60	V	V	V	V	V	V	V	V
					120	V	V	V	V	V	V	V	V
	HDTV (1080p)	1920 x 1080	1.78	16:9	23.98	V	V	V	V	V	V	V	V
					24	V	V	V	V	V	V	V	V
					25	V	V	V	V	V	V	V	V
29.97					V	V	V	V	V	V	V	V	



Signal type	Signal format	Resolution	Aspect ratio		V sync (Hz)	RGB			YCbCr 4:4:4			YCbCr 4:2:2						
						8 bit	10 bit	12 bit	8 bit	10 bit	12 bit	8 bit						
TV	HDTV (1080p)	1920 x 1080	1.78	16:9	30	V	V	V	V	V	V	V	V					
					50	V	V	V	V	V	V	V	V					
					59.94	V	V	V	V	V	V	V	V					
					60	V	V	V	V	V	V	V	V					
					Mandatory 3D	Frame Packing (1080p)	1280 x 720	1.78	16:9	23.98	V	V	V	V	V	V	V	V
										24	V	V	V	V	V	V	V	V
						50				V	V	V	V	V	V	V	V	
						59.94				V	V	V	V	V	V	V	V	
						60				V	V	V	V	V	V	V	V	
						Side by Side (1080i)				1920 x 1080	50	V	V	V	V	V	V	V
59.94	V	V	V	V	V	V	V	V										
60	V	V	V	V	V	V	V	V										
Top and Bottom (720p)	1280 x 720	50	V	V	V	V	V	V	V	V	V							
		59.94	V	V	V	V	V	V	V	V								
		60	V	V	V	V	V	V	V	V								
Top and Bottom (1080p)	1920 x 1080	23.98	V	V	V	V	V	V	V	V	V							
		24	V	V	V	V	V	V	V	V								
Frame Sequential 3D	SVGA	800 x 600	1.33	4:3	120	V	V	V	V	V	V	V						
	XGA	1024 x 768				V	V	V	V	V	V	V						
	HDTV	1280 x 720	1.78	16:9	60	V	V	V	V	V	V	V						
	WXGA	1280 x 800	1.60	16:10		V	V	V	V	V	V							
	1080p	1920 x 1080	1.78	16:9		V	V	V	V	V	V							
	WUXGA	1920 x 1200	1.6	16:10		V	V	V	V	V	V							
4K(*)	3840 x 2160	3840 x 2160	1.78	16:9	24	V	V	V	V	V	V	V	V					
					25	V	V	V	V	V	V	V	V					
					30	V	V	V	V	V	V	V	V					
					50	V	X	X	V	X	X	V						
					60	V	X	X	V	X	X	V						
	4096 x 2160 SMPTE	4096 x 2160	1.90	24	V	V	V	V	V	V	V	V						
				25	V	V	V	V	V	V	V							
				30	V	V	V	V	V	V	V							
				50	V	X	X	V	X	X	V							
				60	V	X	X	V	X	X	V							

(V): Video format is supported.

(X): Video format is Not supported.



- 4K is not supported if the source is HDMI2.

## HDBaseT video formats

Identify the video formats for the HDBaseT input.

Signal type	Signal format	Resolution	Aspect ratio		V Sync (Hz)	RGB			YCbCr 4:4:4			YCbCr 4:2:2	
						8 bit	10 bit	12 bit	8 bit	10 bit	12 bit	8 bit	
PC	VGA	640 x 350			85	V	V	V	V	V	V	V	
		640 x 400		16:10	85	V	V	V	V	V	V	V	
		640 x 480	1.33	4:3	60	V	V	V	V	V	V	V	V
					72	V	V	V	V	V	V	V	
					75	V	V	V	V	V	V	V	
					85	V	V	V	V	V	V	V	
		720 x 400	1.8	9:5	70	V	V	V	V	V	V	V	
	85				V	V	V	V	V	V	V		
	SVGA	800 x 600	1.33	4:3	60	V	V	V	V	V	V	V	
					72	V	V	V	V	V	V	V	
					75	V	V	V	V	V	V	V	
					85	V	V	V	V	V	V	V	
					120	V	V	V	V	V	V	V	
		832 x 624			75	V	V	V	V	V	V		
	848 x 480			60	V	V	V	V	V	V			
	XGA	1024 x 768	1.33	4:3	60	V	V	V	V	V	V	V	
					70	V	V	V	V	V	V	V	
					75	V	V	V	V	V	V	V	
					85	V	V	V	V	V	V	V	
					120	V	V	V	V	V	V	V	
	SXGA	1152 x 864			75	V	V	V	V	V	V		
		1152 x 870	1.32		75	V	V	V	V	V	V		

Signal type	Signal format	Resolution	Aspect ratio		V Sync (Hz)	RGB			YCbCr 4:4:4			YCbCr 4:2:2	
						8 bit	10 bit	12 bit	8 bit	10 bit	12 bit	8 bit	
PC	WXGA	1280 x 768	1.67	5:3	60	V	V	V	V	V	V	V	V
					75	V	V	V	V	V	V	V	V
					85	V	V	V	V	V	V	V	V
		1280 x 800	1.6	16:10	60	V	V	V	V	V	V	V	V
					75	V	V	V	V	V	V	V	V
					85	V	V	V	V	V	V	V	V
	120				V	V	V	V	V	V	V	V	
	SXGA	1280 x 960	1.33	4:3	60	V	V	V	V	V	V	V	V
					85	V	V	V	V	V	V	V	V
		1280 x 1024	1.25	5:4	60	V	V	V	V	V	V	V	V
					75	V	V	V	V	V	V	V	V
					85	V	V	V	V	V	X	V	V
	WXGA	1360 x 768	1.78	16:9	60	V	V	V	V	V	V	V	V
		1366 x 768				V	V	V	V	V	V	V	V
	SXGA+	1400 x 1050	1.33	4:3		V	V	V	V	V	V	V	V
	WXGA+	1440 x 900	1.6	16:10	60	V	V	V	V	V	V	V	V
					75	V	V	V	V	V	V	V	V
					85	V	V	V	V	V	V	V	V
	WXGA++	1600 x 900	1.78	16:9	60	S	V	V	V	V	V	V	V
	UXGA	1600 x 1200	1.33	4:3	50	V	V	V	V	V	V	V	V
60					V	V	V	V	V	X	V	V	
WSXGA+		1680 x 1050	1.6	16:10		V	V	V	V	V	V	V	V
					50	V	V	V	V	V	V	V	V
WUXGA RB	1920 x 1200RB			50	V	V	V	V	V	V	V	V	
				60	V	V	V	V	V	X	V	V	
TV	SDTV (480i)	720 x 480	1.5	3:2	59.94	V	V	V	V	V	V	V	V
					60	V	V	V	V	V	V	V	V
	SDTV (576i)	720 x 576	1.25	5:4	50	V	V	V	V	V	V	V	
	EDTV (480p)	720 x 480	1.5	3:2	59.94	V	V	V	V	V	V	V	V
					60	V	V	V	V	V	V	V	V
	EDTV (576p)	720 x 576	1.25	5:4	50	V	V	V	V	V	V	V	
	HDTV (1080i)	1920 x 1080	1.78	16:9	50	V	V	V	V	V	V	V	V
					59.94	V	V	V	V	V	V	V	V
					60	V	V	V	V	V	V	V	V

Signal type	Signal format	Resolution	Aspect ratio		V Sync (Hz)	RGB			YCbCr 4:4:4			YCbCr 4:2:2
						8 bit	10 bit	12 bit	8 bit	10 bit	12 bit	8 bit
TV	HDTV (720p)	1280 x 720	1.78	16:9	50	V	V	V	V	V	V	V
					59.94	V	V	V	V	V	V	V
					60	V	V	V	V	V	V	V
					120	V	V	V	V	V	V	V
	HDTV (1080p)	1920 x 1080	1.78	16:9	23.98	V	V	V	V	V	V	V
					24	V	V	V	V	V	V	V
					25	V	V	V	V	V	V	V
					29.97	V	V	V	V	V	V	V
					30	V	V	V	V	V	V	V
					50	V	V	V	V	V	V	V
					59.94	V	V	V	V	V	V	V
					60	V	V	V	V	V	V	V
Mandatory 3D	Frame Packing (1080p)	1920 x 1080	1.78	16:9	23.98	V	V	V	V	V	V	V
					24	V	V	V	V	V	V	V
	Frame Packing (720p)	1280 x 720	1.78	16:9	50	V	V	V	V	V	V	V
					59.94	V	V	V	V	V	V	V
					60	V	V	V	V	V	V	V
	Side by Side (1080i)	1920 x 1080	1.78	16:9	50	V	V	V	V	V	V	V
					59.94	V	V	V	V	V	V	V
					60	V	V	V	V	V	V	V
	Top and Bottom (720p)	1280 x 720	1.78	16:9	50	V	V	V	V	V	V	V
					59.94	V	V	V	V	V	V	V
					60	V	V	V	V	V	V	V
	Top and Bottom (1080p)	1920 x 1080	1.78	16:9	23.98	V	V	V	V	V	V	V
24					V	V	V	V	V	V	V	
Frame Sequential 3D	SVGA	800 x 600	1.33	4:3	120	V	V	V	V	V	V	V
	XGA	1024 x 768	1.33	4:3		V	V	V	V	V	V	V
	HDTV	1280 x 720	1.78	16:9		V	V	V	V	V	V	V
	WXGA	1280 x 800	1.60	16:10	V	V	V	V	V	V	V	
	1080p	1920 x 1080	1.78	16:9	60	V	V	V	V	V	V	V
	WUXGA	1920 x 1200	1.6	16:10		V	V	V	V	V	V	V

## Picture-in-picture/picture-by-picture (PIP/PBP) compatibility

The following table details the picture-in-picture/picture-by-picture (PIP/PBP) compatibility.

PIP/PBP		VGA	HDMI2	HDMI1		HDBaseT
			HDMI 1.4	HDMI 1.4	HDMI 2.0	
Sub Source	VGA		•	•	•	•
	HDMI2	HDMI 1.4	•	•	•	•
	HDMI1	HDMI 1.4	•	•		•
		HDMI 2.0	•	•		•
	HDBaseT		•	•	•	

- Dot (•): PIP/PBP combinations are enabled.

# Regulatory

This product conforms to the following regulations related to product safety, environmental requirements and electromagnetic compatibility (EMC).

## Safety

- CAN/CSA C22.2 No. 60950-1-07 – Information Technology Equipment – Safety – Part 1: General Requirements
- ANSI/UL 60950-1-2014 – Information Technology Equipment – Safety – Part 1: General Requirements
- IEC/EN 60950-1 – Information Technology Equipment – Safety – Part 1: General Requirements

## Laser safety

- IEC 60825-1 – Safety of Laser Products – Part 1: Equipment Classification and Requirements
- IEC/EN 62471-5 - Photobiological safety of lamps and lamp systems – Part 5: Image projectors
- FDA CDRH 21CFR 1040 - Performance Standards For Light-Emitting Products

## Electro-magnetic compatibility

### Emissions

- FCC CFR47, Part 15, Subpart B, Class A - Unintentional Radiators
- CAN ICES-3 (A/B) / NMB-3 (A) - Information Technology Equipment (Including Digital Apparatus)
- CISPR 32:2014/EN 55032:2014, Class A - Information Technology Equipment
- IEC 61000-3-2/EN61000-3-2 - Limits for Harmonic Current Emissions
- IEC 61000-3-3/EN61000-3-3 - Limitations of Voltage Changes, Voltage Fluctuations, and Flicker

### Immunity

- CISPR 24/EN55024 EMC Requirements - Information Technology Equipment

## Environmental

- EU Directive (2011/65/EU) on the restriction of the uses of certain hazardous substances (RoHS) in electrical and electronic equipment and the applicable official amendment(s)
- EU Directive (2012/19/EU) on waste and electrical and electronic equipment (WEEE) and the applicable official amendment(s)
- Regulation (EC) No 1907/2006 concerning the Registration, Evaluation, Authorization and Restriction of Chemicals (REACH) and the applicable official amendment(s)
- China Ministry of Information Industry Order No.39 (02/2006) on the control of pollution caused by electronic information products, hazardous substances concentration limits (SJ/T11363-2006), and the applicable product marking requirement (SJ/T11364-2006)

