

Christie Vive Audio

LA Series

LA5S line array surround loudspeaker



Technical Specifications	Christie LA5S
System type	• Coaxial parabolic ribbon driver line array, 2-way, passive, in a single ported enclosure
Driver components	• 6 x 6" ribbon drivers with Kapton® diaphragm and Neodymium magnets • 6 x 6.5" paper/Kevlar composite mid-bass drivers with Neodymium magnets
Crossover	• Linear phase, 2-way passive, symmetric crossover @ 1.5kHz, 24dB/octave
Frequency response¹	• 60Hz-20kHz @ -6dB
Maximum SPL²	• 130.5dB (AES) continuous • 142.5dB peak
System coverage³	• 120° horizontal dispersion • 60° vertical dispersion
Sensitivity¹, 1W/1m	• 100.5dB (200Hz-3kHz)
Power handling²	• 1000W (AES) • 1500W (IEC) long term • 2000W (IEC) short term
Recommended amplifier power	• 990-1400W (FTC) @ 7 ohms
Rated impedance	• 7 ohms
Input connectors	• Screw terminal barrier strip
Enclosure	• Vented box alignment • 18mm marine plywood • Heavily damped and braced • Rated for overhead applications
Mounting options	• Wall or ceiling mounted using 4 x M8 points • Flown using 3 x M10 fly points
Accessories (optional)	• Allen Products MultiMount MM-060 (111-682208-01) for wall mounting • MM-3RDX-120 (111-684200-01) for ceiling mounting • 3 x Allen Products RK-1C Rigging Kit 1 x Cable (111-686202-01) for flying ⁴
Dimensions	• (LxWxH) 16.5 x 10.6 x 35.4" (420 x 268 x 899mm)
Net weight	• 59.5lbs (27kg)
Warranty	• Limited 5-year warranty

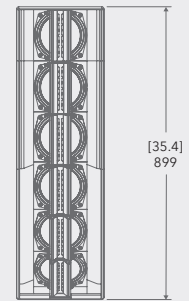
¹ Measured at distances of 4m and 8m in simulated, free field and ground plane conditions. Sensitivity is calculated based on measured SPL response averaged in 200Hz-5kHz range and scaled back to 1m.

² AES refers to AES2-2012 standard. IEC refers to IEC 60268-5 standard. Max SPL calculated based on sensitivity and power handling. IEC short-term power tested using IEC pink noise with 9dB crest factor. The crest factor was specifically increased to reflect real-life parameters of digital cinema sound tracks. Maximum peak SPL calculated using peak voltage during IEC short-term power test.

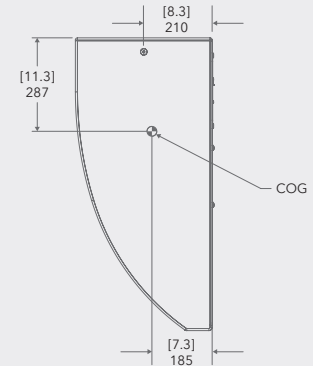
³ Averaged in 500Hz-16kHz range, at -6dB.

⁴ 3 cables required when flown. See User Manual for details.

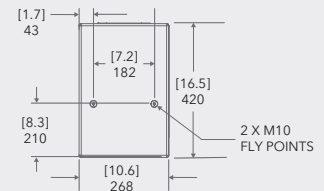
Front view



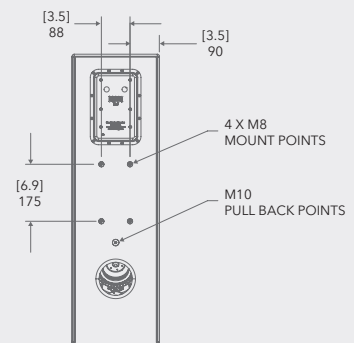
Side view



Top view



Back view



United Kingdom
Branch & EMEA
Head Office
ViewPoint
200 Ashville Way
Wokingham
Berkshire, U.K.
RG41 2PL
PH: +44 (0) 118 977 8000

Middle East
Light Industrial Unit (LIU-17)
Nad Al Shibba
Sheikh Mohammed Bin Zayed Road
Dubai Silicon Oasis
PO Box: 293762
Dubai - U.A.E
PH: +971 (0) 4 503 6800

Africa
Unit C3
Northlands Deco Park
New Market Road
Northriding
Randburg
2164
Johannesburg
Gauteng
South Africa
PH: +27 71 335 8667

Other EMEA offices

Germany
Branch Office
PH: +49 2161 566 200

France
Branch Office
PH: +33 (0) 1 41 21 44 04

Eastern Europe
Representative Office
PH: +36 (0)1 47 48 138

Spain
Branch Office
PH: +34 91 633 9990

Italy
Independent Sales Consultant Office
PH: +39 (0) 2 9902 1161

Russia
Independent Sales Consultant Office
PH: +7 (495) 930-8961



For the most current specification information, please visit www.christieemea.com

Copyright 2016 Christie Digital Systems USA, Inc. All rights reserved. All brand names and product names are trademarks, registered trademarks or tradenames of their respective holders. Christie Digital Systems Canada Inc.'s management system is registered to ISO 9001 and ISO 14001. Performance specifications are typical. Due to constant research, specifications are subject to change without notice. Printed in Canada on recycled paper. 4239 Mar 16

CHRISTIE®