

# Christie Vive Audio

## LA Series

### LA5S line array surround loudspeaker



| Technical Specifications              | Christie LA5S  |
|---------------------------------------|--|
| <b>System type</b>                    | • Coaxial parabolic ribbon driver line array, 2-way, passive, in a single ported enclosure   |
| <b>Driver components</b>              | • 6 x 6" ribbon drivers with Kapton® diaphragm and Neodymium magnets<br>• 6 x 6.5" paper/Kevlar composite mid-bass drivers with Neodymium magnets  |
| <b>Crossover</b>                      | • Linear phase, 2-way passive, symmetric crossover @ 1.5kHz, 24dB/octave   |
| <b>Frequency response<sup>1</sup></b> | • 60Hz-20kHz @ -6dB  |
| <b>Maximum SPL<sup>2</sup></b>        | • 130.5dB (AES) continuous • 142.5dB peak  |
| <b>System coverage<sup>3</sup></b>    | • 120° horizontal dispersion • 60° vertical dispersion   |
| <b>Sensitivity<sup>1</sup>, 1W/1m</b> | • 100.5dB (200Hz-3kHz)   |
| <b>Power handling<sup>2</sup></b>     | • 1000W (AES) • 1500W (IEC) long term • 2000W (IEC) short term   |
| <b>Recommended amplifier power</b>    | • 990-1400W (FTC) @ 7 ohms   |
| <b>Rated impedance</b>                | • 7 ohms   |
| <b>Input connectors</b>               | • Screw terminal barrier strip   |
| <b>Enclosure</b>                      | • Vented box alignment<br>• 18mm marine plywood<br>• Heavily damped and braced<br>• Rated for overhead applications  |
| <b>Mounting options</b>               | • Wall or ceiling mounted using 4 x M8 points<br>• Flown using 3 x M10 fly points  |
| <b>Accessories (optional)</b>         | • Allen Products MultiMount MM-060 (111-682208-01) for wall mounting<br>• MM-3RDX-120 (111-684200-01) for ceiling mounting<br>• 3 x Allen Products RK-1C Rigging Kit 1 x Cable (111-686202-01) for flying <sup>4</sup> |
| <b>Dimensions</b>                     | • (LxWxH) 16.5 x 10.6 x 35.4" (420 x 268 x 899mm)  |
| <b>Net weight</b>                     | • 59.5lbs (27kg)   |
| <b>Warranty</b>                       | • Limited 5-year warranty  |

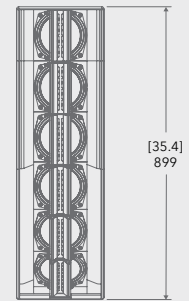
<sup>1</sup> Measured at distances of 4m and 8m in simulated, free field and ground plane conditions. Sensitivity is calculated based on measured SPL response averaged in 200Hz-5kHz range and scaled back to 1m.

<sup>2</sup> AES refers to AES2-2012 standard. IEC refers to IEC 60268-5 standard. Max SPL calculated based on sensitivity and power handling. IEC short-term power tested using IEC pink noise with 9dB crest factor. The crest factor was specifically increased to reflect real-life parameters of digital cinema sound tracks. Maximum peak SPL calculated using peak voltage during IEC short-term power test.

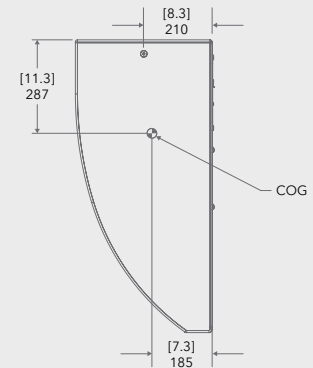
<sup>3</sup> Averaged in 500Hz-16kHz range, at -6dB.

<sup>4</sup> 3 cables required when flown. See User Manual for details.

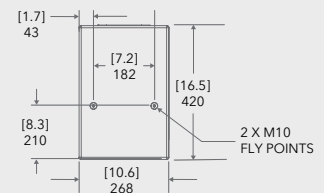
Front view



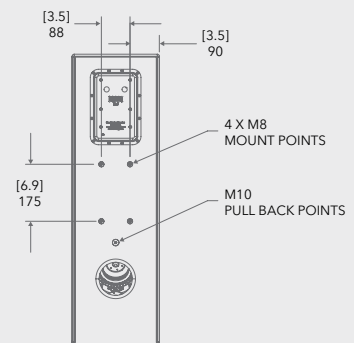
Side view



Top view



Back view



#### Corporate offices

Christie Digital Systems USA, Inc.  
Cypress  
ph: 714 236 8610

Christie Digital Systems Canada Inc.  
Kitchener  
ph: 519 744 8005

#### Worldwide offices

Australia  
ph: +61 (0) 7 3624 4888

Brazil  
ph: +55 (11) 2548 4753

China (Beijing)  
ph: +86 10 6561 0240

China (Shanghai)  
ph: +86 21 6278 7708

France  
ph: +33 (0) 1 41 21 44 04

Germany  
ph: +49 2161 664540

India  
ph: +91 (080) 6708 9999

Japan (Tokyo)  
ph: 81 3 3599 7481

Korea (Seoul)  
ph: +82 2 702 1601

Mexico  
ph: +52 55-4744-1790

Republic of South Africa  
ph: +27 11 251 0000

Russian Federation  
and Eastern Europe  
ph: +36 (0) 1 47 48 100

Singapore  
ph: +65 6877 8737

Spain  
ph: +34 91 633 9990

United Arab Emirates  
ph: +971 4 3206688

United Kingdom  
ph: +44 (0) 118 977 8000

United States (Arizona)  
ph: 602 943 5700

United States (New York)  
ph: 646 779 2014

**Independent sales  
consultant offices**

Italy  
ph: +39 (0) 2 9902 1161



Kitchener Ontario

# CHRISTIE®

For the most current specification information, please visit [www.christiedigital.com](http://www.christiedigital.com)

Copyright 2016 Christie Digital Systems USA, Inc. All rights reserved. All brand names and product names are trademarks, registered trademarks or tradenames of their respective holders. Christie Digital Systems Canada Inc.'s management system is registered to ISO 9001 and ISO 14001. Performance specifications are typical. Due to constant research, specifications are subject to change without notice. Printed in Canada on recycled paper. 4239 Mar 16