

Christie Vive Audio

LS Series

LS1 line source loudspeaker



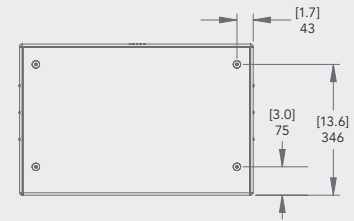
Specifications	Christie LS1
System type	• Four-way, bi-amp, ported enclosure
Driver components	<ul style="list-style-type: none"> • HF: 2 x 3" high output ribbon drivers with Kapton® diaphragm and Neodymium magnets • MF: 6.5" paper/Kevlar high efficiency midrange cone driver with 38mm voice coil • LF: 15" paper composite cone driver with 100mm diameter voice coil
Crossover	<ul style="list-style-type: none"> • LF-MF: 350Hz, active via processor • MF-HF: passive @ 2.0kHz • Two-way HF section with frequency shading network
Frequency response¹	• 30Hz-20kHz @ -6dB
Maximum SPL²	<ul style="list-style-type: none"> • LF: 123dB continuous, 135dB peak • MF-HF: 123dB continuous, 135dB peak • LS1 system: 126dB continuous, 138dB peak
System coverage³	<ul style="list-style-type: none"> • 100° horizontal dispersion • 40° vertical dispersion
Sensitivity¹, 1W/1m	<ul style="list-style-type: none"> • LF: 95dB • MF-HF: 101.3dB
Power handling capacity²	<ul style="list-style-type: none"> • LF: 600W continuous, 1500W (IEC) short term • MF-HF: 150W continuous, 300W (IEC) short term
Recommended amplifier power	<ul style="list-style-type: none"> • LF: 600-1000W @ 8 ohms • MF-HF: 200-300W @ 8 ohms
Rated impedance	<ul style="list-style-type: none"> • LF: 8 ohms • MF-HF: 6 ohms
Input connectors	• 4 position terminal barrier strip, separate LF and MF-HF inputs
Enclosure	<ul style="list-style-type: none"> • Ported enclosure with system tuning at Fb=34Hz • 18mm marine plywood, heavily braced for maximum structural strength and minimum panel resonance • Rotatable MF-HF section in acoustically isolated enclosure allows for vertical or horizontal placement of cabinet • Multiple M10 integrated fly points • Rated for overhead installation with 5:1 safety ratio
Mounting options	<ul style="list-style-type: none"> • Free standing with or without floor brackets • Flying via 16 x M10 integrated points
Accessories	<ul style="list-style-type: none"> • 145-178107-01: BKT-LSX Tilt bracket for LSx loudspeakers. Platform mountable tilt bracket (±7 degrees) set for screen channel installation (included in the box) • 111-685201-01: Allen Products RK-4C Rigging Kit 4 x cables for flying
Dimensions	• (LxWxH) 15.8 x 24.3 x 40" (400 x 618 x 1018mm)
Net weight	• 104lbs (47kg)
Warranty	• Limited 5-year warranty

¹ Measured at 2m on tweeter axis in simulated free field conditions. Near field measurements were used for low-frequency data. Sensitivity is calculated based on measured SPL response averaged in 200Hz-5kHz range.

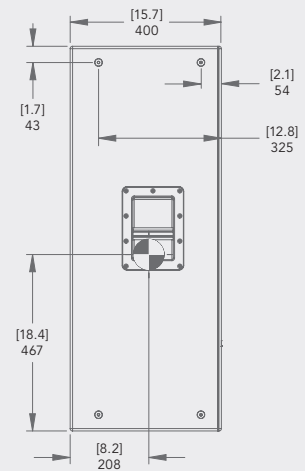
² IEC refers to IEC 60268-5 standard. Max SPL calculated based on sensitivity and power handling. IEC short-term power tested using IEC pink noise with 9dB crest factor. The crest factor was specifically increased to reflect real-life parameters of digital cinema sound tracks. Maximum peak SPL calculated using peak voltage during IEC short-term power test. Continuous power handling tested using IEC60268-1 noise signal for duration of 2 hours.

³ Averaged in 500Hz-12kHz range, at -6dB.

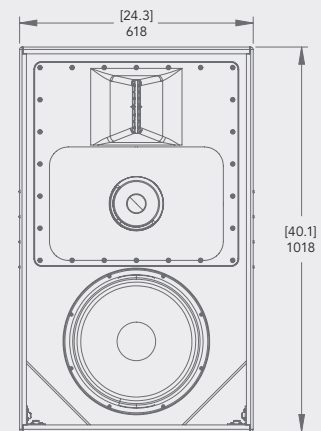
Top view



Side view



Front view



United Kingdom
Branch & EMEA
Head Office
ViewPoint
200 Ashville Way
Wokingham
Berkshire, U.K.
RG41 2PL
PH: +44 (0) 118 977 8000

Middle East
Light Industrial Unit (LIU-17)
Nad Al Shibba
Sheikh Mohammed Bin Zayed Road
Dubai Silicon Oasis
PO Box: 293762
Dubai - U.A.E
PH: +971 (0) 4 503 6800

Africa
Unit C3
Northlands Deco Park
New Market Road
Northriding
Randburg
2164
Johannesburg
Gauteng
South Africa
PH: +27 71 335 8667

Other EMEA offices

Germany
Branch Office
PH: +49 2161 566 200

France
Branch Office
PH: +33 (0) 1 41 21 44 04

Eastern Europe
Representative Office
PH: +36 (0)1 47 48 138

Spain
Branch Office
PH: +34 91 633 9990

Italy
Independent Sales Consultant Office
PH: +39 (0) 2 9902 1161

Russia
Independent Sales Consultant Office
PH: +7 (495) 930-8961



For the most current specification information, please visit www.christieemea.com