

# Christie LX605

Classrooms  
Conference rooms  
Houses of worship  
Small auditoriums  
Training rooms  
Rental staging



## Versatility. Performance. Dependability.

And don't forget brightness... at 6000 ANSI lumens the Christie® LX605 is the ideal projector for a wide variety of medium to large venue presentations. The Christie LX605 has been designed for easy setup, high performance, and use in a myriad of installation applications since it is capable of accepting a wide range of sources.

A new four-corner geometry correction tool, 3D Keystone™ technology, puts professional capabilities at your fingertips; quickly overcome installation challenges that cannot be corrected by standard digital keystone adjustments. The LX605 has a center lens design with motorized lens shift for easy setup and ships with a standard lens. A suite of four bayonet style lenses are available options.

For quality and dependability the Christie LX605 offers the benefits of long-life inorganic 3LCD technology and 10-bit video processing. These inorganic panels have been designed for improved lifetime performance over conventional 3LCD panels. With a 1000:1 contrast ratio and 10-bit video processing, the Christie LX605 produces natural, smooth color tone to ensure picture stability and flawless video playback... a quality image every time.

With all these great features and Christie's known quality and dependability, the Christie LX605 is sure to become your new LCD standard.

**CHRISTIE®**

Christie LX605 (103-027100-01)		
Image	brightness	• 6000 ANSI lumens
	contrast	• 1000:1 (full on/off)
	uniformity	• 80% brightness uniformity (corner to corner)
Display technology	type	• 3-chip 0.8" Polysilicon TFT active matrix type LCD – Inorganic
	native resolution	• XGA (1024 x 768)
Lamp	type	• Single 330W NSHA
	estimated life	• Normal mode: up to 2000 hrs • Eco mode: up to 3000 hrs
Input	signals	• UXGA, WXGA, SXGA+, SXGA, XGA, SVGA, VGA, MAC • HDTV formats (720p, 1035i, 1080i, 1080p)
	pixel clock	• 140 MHz (analog) / 162 MHz (digital)
	scan rates	• Horizontal: 15-100kHz • Vertical: 48-100Hz
Inputs/ outputs, control and networking	inputs	• Input 1: DVI-D x 1 (HDCP) • D-Sub 15 x 1 • Input 2: 5-BNC (R, G, B, H, V & Y, Pb/Cb, Pr/Cr & Composite) • Input 3: S-video – Mini DIN 4-pin • RCA x 3 (Video/Y, Pb/Cb, Pr/Cr) • Audio In – Mini jack x 2 (1, 2) (stereo) • RCA x 2 (R, L-mono) • Control port – D-Sub 9 x 1 • R/C Jack – Mini jack x 1 (wired remote) • RJ45 LAN x 1
	outputs	• D-Sub 15 (Monitor out) x 1, Audio out – Mini jack x 1 (stereo)
Optical system		• Motorized zoom, focus and lens shift • Vertical and Horizontal lens shift <sup>1</sup>
Lenses	fixed	• Short 0.8:1 (103-124108-XX)
	zoom	• Ships with standard lens – Standard 1.70-2.89:1 (103-126100-XX) • Short 1.25-1.70:1 (103-125109-XX) • Long 2.89-4.60:1 (103-127101-XX) • Long 4.60-7.36:1 (103-128102-XX)
	offsets	• Horizontal 50% <sup>1</sup> • Vertical 10% <sup>1</sup>
Accessories	standard	• Quick setup manual • PIN code Label Registration card • UL cable card • Lens adaptor • Power cord-AC cord UL type (NEMA 6-20P plug type) • AC cord (European 2P plug type) • Computer cable (D-Sub 15) • Users Manual (CD-ROM) • Remote control • Lens mount cover • Lens anti-theft screw • USB Cable
	optional	• CCM-LX for enhanced network options (103-115108-XX) • AutoFilter cartridge (003-003084-XX) • Replacement lamp (003-120507-XX)
Enhanced feature sets		• 10-bit image processing • Top loading lamp • 1-button quick lens release • Digital keystone h/v and 3D Keystone technology • Easy menu navigation • Up to 13,000 hour AutoFilter • Inorganic 3LCD • 360 degree on axis rotation • Built-in – RJ45 • Expansion port for advanced networking module (CCM-LX) • Customized logo capture
Power requirements	operating voltage	• 100-120 VAC ±10% • 200-240 VAC ±10%
	operating current	• In rush: 30A (AC100V); 60A (AC276V) • Current: 5.2A (AC100V); 2.5A (AC200V)
	power consumption	• 490W max
	dissipation	• 1672 BTU/hr (100V) • 1570 BTU/hr (200V)
Dimensions	size	• Body with lens (LxWxH): 17.12 x 19.27 x 6.50" (438.0 x 489.5 x 164.0mm)
	shipping size	• (LxWxH): 22.90 x 26.81 x 12.52" (581.0 x 681.0 x 318.0mm)
	weight	• 21.4lbs (9.7kg) with lens
	shipping weight	• 34.8lbs (15.8kg)
Noise		• Standard mode: 38dBA • Eco mode: 31dBA
Operating environment		• Operating temperature: 41-104°F (5-40°C) • Storage temperature: 14-140°F (-10-60°C) • Humidity (non-condensing): 20-80% • Altitude: 0-8858ft (0-2700m)
Regulatory approvals		This product conforms to the following regulations related to product safety, environmental requirements and electromagnetic compatibility (EMC): • FCC Part 15, Subpart B Class B • CISPR22/EN55022 • CISPR24/EN55024 • UL 60950-1 first edition • IEC60950-1:2001 • 2002/95/EC RoHS
Limited warranty		• Projector: three years parts and labor (excluding light engine) • Lamp: 500 hours or one year from invoice date (whichever comes first) • Contact an authorized Christie representative for full details of our limited warranty

Performance specifications are typical and are subject to change

<sup>1</sup> Actual range depends on lens used

#### Corporate offices

Christie Digital Systems USA, Inc.  
USA – Cypress  
ph: 714 236 8610

Christie Digital Systems Canada Inc.  
Canada – Kitchener  
ph: 519 744 8005

#### Worldwide offices

Australia  
ph: +61 (0) 7 3844 9514

Brazil  
ph: +55 (11) 2548 4753

China (Beijing)  
ph: +86 10 6561 0240

China (Shanghai)  
ph: +86 21 6278 7708

Eastern Europe and  
Russian Federation  
ph: +36 (0) 1 47 48 100

France  
ph: +33 (0) 1 41 21 44 04

Germany  
ph: +49 2161 664540

India  
ph: +91 9 8 1133 2760

Japan (Tokyo)  
ph: 81 3 3599 7481

Korea (Seoul)  
ph: +82 2 702 1601

Republic of South Africa  
ph: +27 (0)11 510 0094

Singapore  
ph: +65 6877 8737

Spain  
ph: +34 91 633 9990

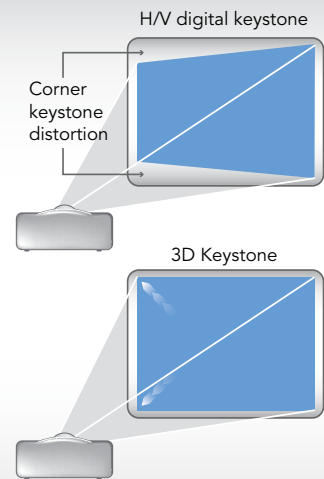
United Arab Emirates  
ph: +971 4 3206688

United Kingdom  
ph: +44 (0) 118 977 8000

Independent sales  
consultant offices

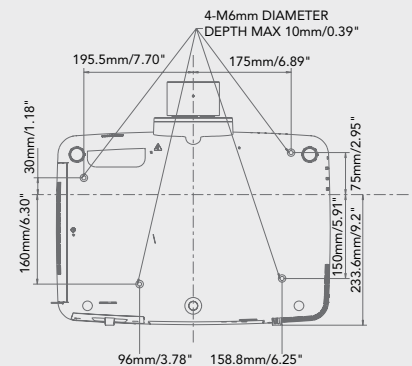
Italy  
ph: +39 (0) 2 9902 1161

#### 3D Keystone technology

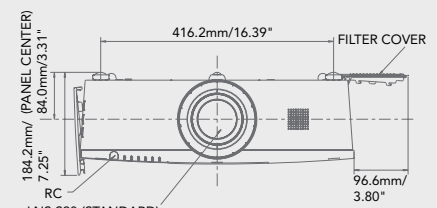


▲ Utilizing 3D Keystone technology, a new four-corner geometry correction tool, you can quickly and easily align your image even in the most challenging environments.

#### Bottom view



#### Front view



Christie Digital Systems

ISO 9001

ISO 14001

Kitchener, Ontario

For the most current specification information, please visit [www.christiedigital.com](http://www.christiedigital.com)

Copyright 2013 Christie Digital Systems USA, Inc. All rights reserved. All brand names and product names are trademarks, registered trademarks or tradenames of their respective holders. Christie Digital Systems Canada Inc.'s management system is registered to ISO 9001 and ISO 14001. Performance specifications are typical. Due to constant research, specifications are subject to change without notice. Printed in Canada on recycled paper. 3486 Apr 13

**CHRISTIE**