

Christie Velvet - Apex Series

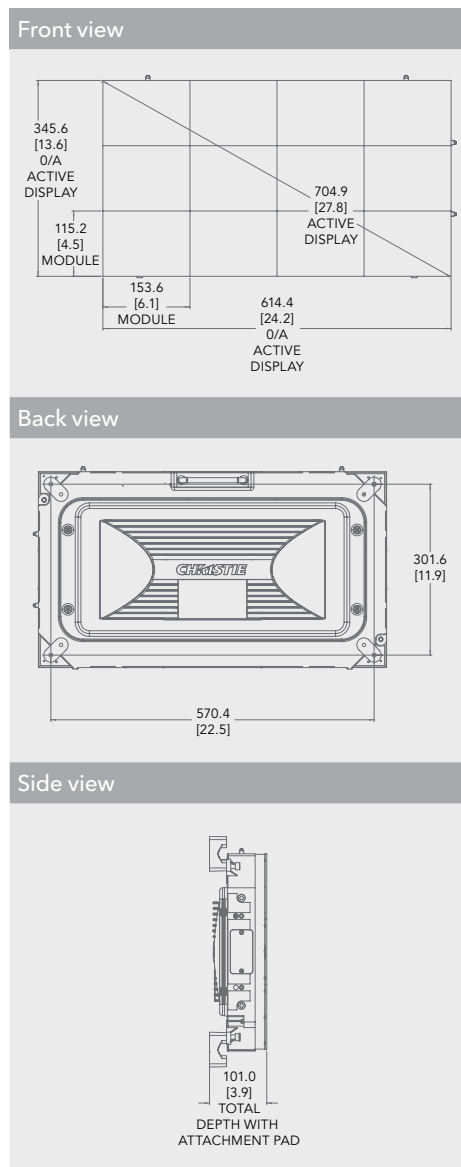
1.9mm indoor LED tiles - landscape

Technical specifications		Christie LED019-A2L	
Display technology	pixel pitch	• 1.92mm	
	pixel configuration	• 3-in-1 (1R1G1B)	
	pixel density	• 270,400 pixels/m ²	
	maximum calibrated brightness	• 1000 nits (cd/m ²)	
	aspect ratio	• 16:9	
	contrast ratio (full field)	• 5000:1	
	viewing angle	• 160° H, 140° V	
	refresh rate	• ≥3200Hz	
	scan rate	• 1/15	
	color temperature	• 2700-9600K	
	display colors	• 4.398 trillion (14-bit)	
	Signal	inputs	• HDMI (HDCP) • DVI (HDCP) • HDSDI
	Power	input rating - remote power supply ¹	• 100-240 VAC @ 50-60Hz
power consumption per cabinet		• 71W typical • 211W maximum	
heat output		• 242 BTU/hr typical • 720 BTU/hr maximum	
Environment	operating temperature	• 32-104°F (0-40°C)	
	operating humidity	• 10-90% non-condensing	
	storage temperature	• 14-122°F (-10-50°C)	
	environment	• Indoor	
	IP rating	• 30	
	LED lifespan (50% brightness)	• 100,000 hrs	
	runtime	• 24/7	
Physical	tile dimensions (installed)	• (WxHxD): 24.2 x 13.6 x 3.7" (614.4 x 345.6 x 94.3mm)	
	tile area	• 2.29 ft ² (0.2123m ²)	
	tile resolution	• 320 x 180 pixels	
	tile weight	• 19.8lbs (9.0kg)	
	cabinet design	• Die-cast aluminum	
	service access	• All service from front	
	module dimensions	• (WxH): 6.1 x 4.5" (153.6 x 115.2mm)	
	installation options	• Flat • Concave	
	module resolution	• 80 x 60 pixels	
	support brackets and blocks	• Included	
	additional required components	• Remote power supply and controller sold separately	
Certifications - current and pending ²	• CE (includes EMC), FCC, CSA (UL60950), RCM, EAC		
Warranty	<ul style="list-style-type: none"> • Three years parts and labor limited warranty • Extended warranty option available for a one-time fee at time of purchase • Contact an authorized Christie representative for full details 		

¹See remote power supply specifications for full details.

²Certain of the listed certifications may be pending and not yet issued. For the current status of the listed certifications, please contact an authorized Christie representative.

Performance specifications are typical. Due to constant research, specifications are subject to change without notice.



Corporate offices

Christie Digital Systems USA, Inc.
Cypress
ph: 714 236 8610

Christie Digital Systems Canada Inc.
Kitchener
ph: 519 744 8005

Worldwide offices

Australia
ph: +61 (0) 7 3624 4888

Brazil
ph: +55 (11) 2548 4753

China (Beijing)
ph: +86 10 6561 0240

China (Shanghai)
ph: +86 21 6030 0500

Columbia
ph: +57 (318) 447 3179

Eastern Europe
ph: +36 (0)1 47 48 138

France
ph: +33 (0) 1 41 21 44 04

Germany (Cologne)
ph: +49 221 99 512-0

Germany (Moechengladbach)
ph: +49 2161 566200

India
ph: +91 (080) 6708 9999

Japan
ph: +81 3 3599 7481

Mexico
ph: +52 55 4744 1790

Republic of South Africa
ph: +27 11 251 0000

Singapore
ph: +65 6877 8737

South Korea
ph: +82 2 702 1601

Spain
ph: +34 91 633 9990

United Arab Emirates
ph: +971 (0) 4 503 6800

United Kingdom
ph: +44 (0) 118 977 8000

United States (Arizona)
ph: 602 943 5700

United States (New York)
ph: 646 779 2014

Independent sales consultant offices

Italy
ph: +39 (0) 2 9902 1161

Russia
ph: +7 (495) 930 8961

For the most current specification information, please visit www.christiedigital.com