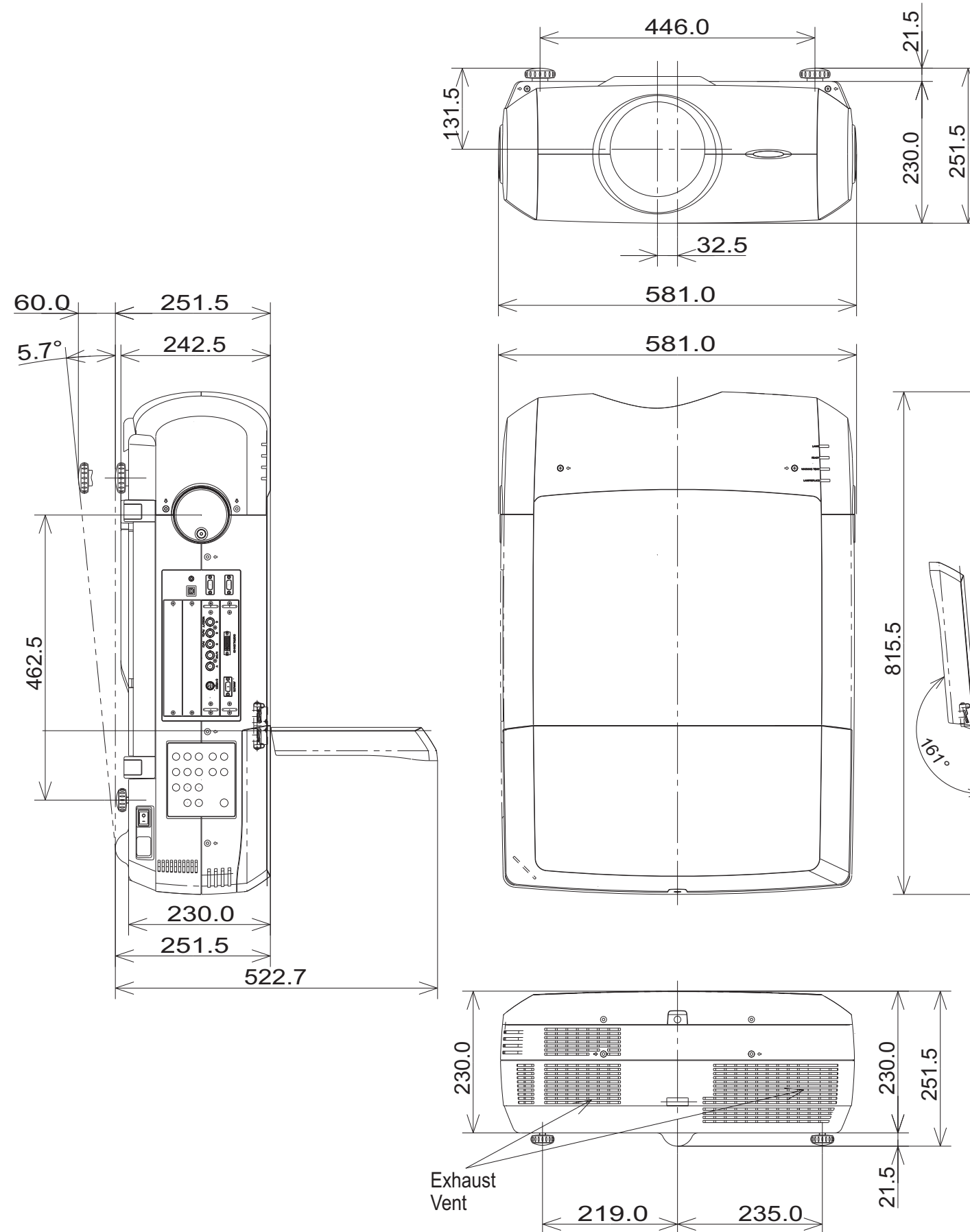
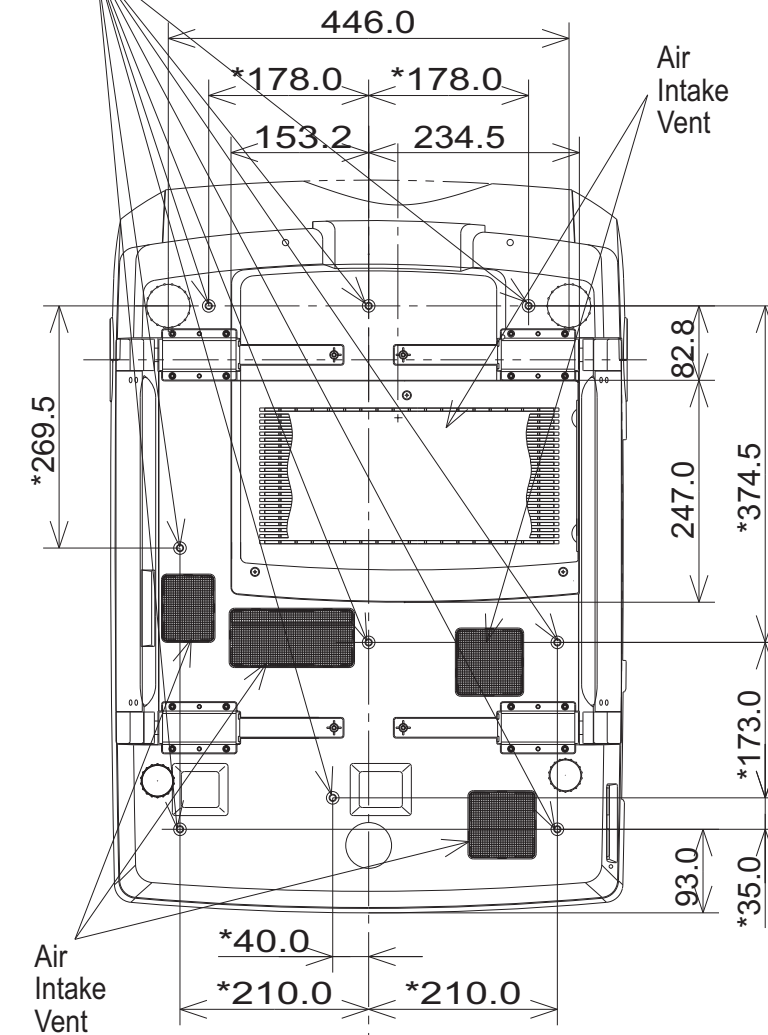


ISSUE HISTORY OF:

REV	DESCRIPTION OF CHANGE	BY	PREP DATE
01	Initial release	R. Gagnon	11-24-09



9-M8mm DIAMETER
DEPTH MAX 8mm



KE3A (PLC-XF47)

SET DIM: 581 (W) X 251.5 (H) X 815.5 (D)
WEIGHT :36.5KG



809 WELLINGTON STREET NORTH
KITCHENER, ONTARIO, CANADA
N2G 4Y7

PART DESCRIPTION		DWG Line LX1500	
SIZE	PART NUMBER	REVISION	
B	020-000237-01	01	
SCALE	MASS	SHEET 1 OF 1	
1:1	LBS[KG]		
PROPRIETARY		NOT TO BE DISCLOSED OR REPRODUCED IN ANY MANNER WITHOUT THE EXPRESS WRITTEN PERMISSION OF CHRISTIE	