

Ducted Exhaust kit

The Ducted Exhaust kit is an optional accessory that draws warm exhaust air away from the projector. Follow these instructions when using the Ducted Exhaust kit with the Roadie HD+35K or with the Roadie 4K35 and Roadie 4K45 projectors when not in a rigging frame.



The Ducted Exhaust kit is compatible with Roadie HD+35K projectors manufactured from April 2010 onward. For projectors manufactured prior to this date, contact Technical Support at 1-800-221-8025 or email tech-support@christiedigital.com for the replacement parts.

Affected products

The following products are affected

- Roadie HD+35K
- Roadie 4K35
- Roadie 4K45

Required kits

The following kits are required before starting the procedure:

- Heat Extractor kit (P/N: 38-814008-XX)—contains 25' corrugated exhaust hose and extractor fan
- Roadie Ducted Exhaust kit (P/N: 113-107109-XX)—contains exhaust duct, offset gear clamp, 4x 1/4-20 x 3/8" screws, four snap plugs, and 4x M6 x 10mm screws

Required tools

Roadie HD+35K

- 1/4" slot screwdriver
- 3/16" hex screwdriver

Roadie 4K35 and Roadie 4K45

- M5 hex screwdriver
- 1/4" slot screwdriver

Safety warnings and guidelines

Read all safety and warning guidelines before starting this procedure.



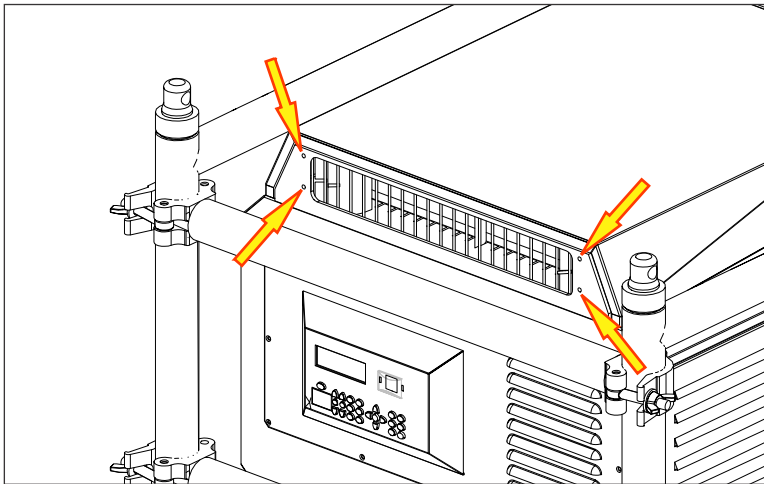
Warning! Failure to comply with the following could result in death or serious injury.

- SHOCK HAZARD! Disconnect the product from AC before servicing, cleaning, removing components, or opening any enclosure.

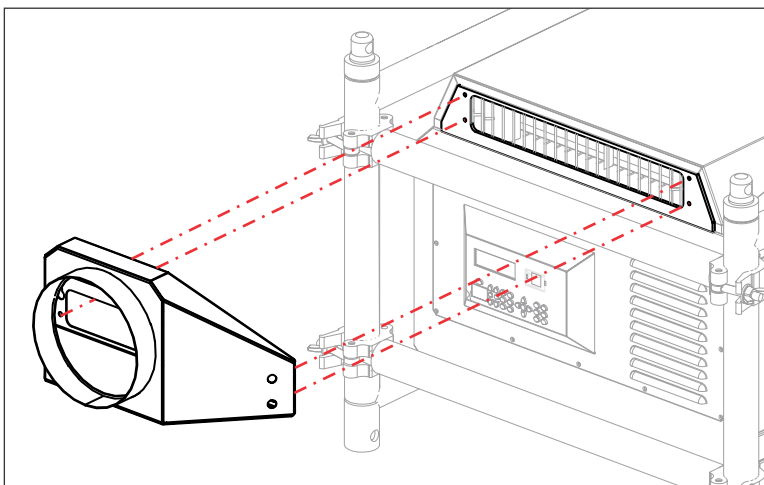
Installing the Ducted Exhaust kit

1. Loosen the top two exhaust mounting screws by several turns.
2. Remove the bottom two screws.

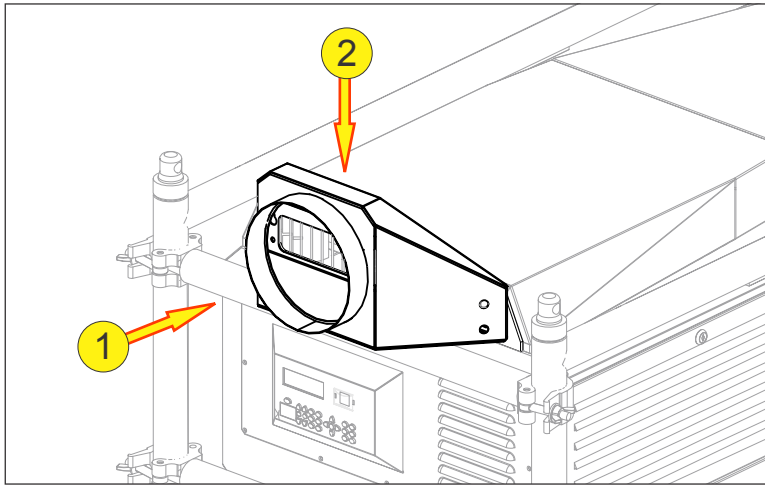
If required, replacement screws are provided in the Ducted Exhaust kit.



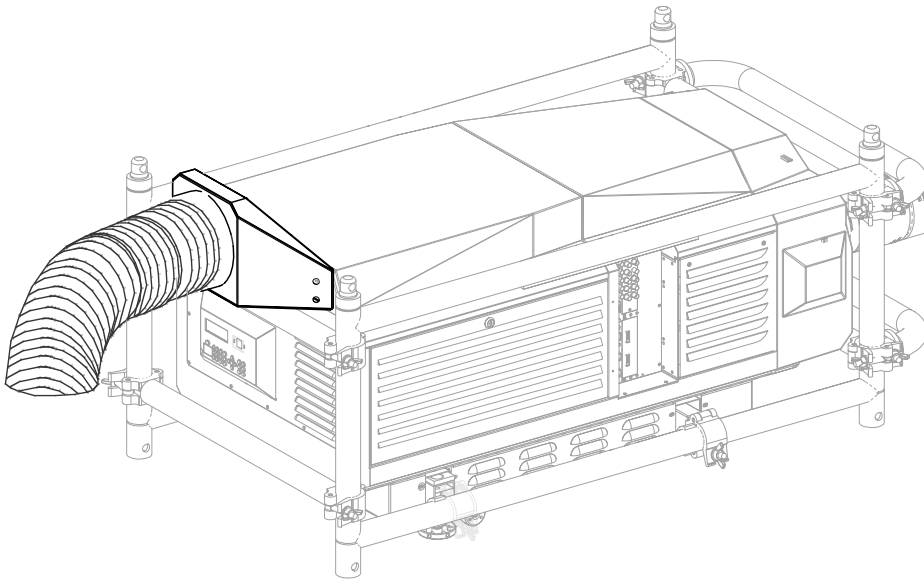
3. Align the top two key holes with the screws.



4. Push and then slide the exhaust duct onto the projector.



5. Install and tighten the bottom two screws (Roadie HD+35K —3/16" hex screwdriver; Roadie 4K35 and Roadie 4K45—M5 hex screwdriver) and then tighten the top two screws.
Tighten all four screws to ensure the exhaust duct is secure. These screws are critical for securing the heat extractor to the projector.
6. Install the four snap plugs to cover the exposed mounting holes.
7. Slide the gear clamp onto the exhaust hose.
8. Install the exhaust hose onto the exhaust duct.



9. Using the slotted screwdriver, tighten the gear clamp.
10. Connect the opposite end of the exhaust hose to the extractor fan provided with the Heat Extractor kit.