

High Contrast Aperture Installation Instruction Sheet

INTRODUCTION

⚠ WARNING The apertures listed in the High-Contrast Aperture Kit can only be used in low power applications.

These instructions explain how to change overall contrast ratio and brightness in a Roadie 25K/25K LE, HD+30K/HD+35K and the CP2220 and CP2230 series projector by installing a different diameter f/# aperture. This small frame inserts into the optical path after the cold mirror, controlling the amount of light passed on. For increased contrast ratio, use a small diameter aperture; for increased brightness, use a large diameter.

KITS REQUIRED

- High-Contrast Aperture Kit (P/N: 38-813028-51)

TOOLS REQUIRED

- 3mm hex key

INSTRUCTIONS

⚠ DANGER High Voltages! Always power down and disconnect power sources prior to servicing. All module replacement procedures must be performed by Christie authorized service technicians. Once the projector is powered down, allow the cooling fans to automatically turn OFF before disconnecting from AC and opening the projector. This takes approximately 10 minutes.

⚠ CAUTION

- Use a grounded wrist strap when handling electronic assemblies.
- Never operate the projector or the fans without all the covers installed.

The original factory-installed aperture (64mm diameter) ensures maximum brightness. To increase contrast ratio while slightly limiting brightness, use either the 40mm, 45mm, 50mm or 55mm aperture provided in the High Contrast Aperture Kit. Note that specific results also depend on the current projector, lens type and lamp size – consider your configuration, application and installation

environment. **NOTE:** Apertures are NOT labeled for size – to determine which aperture is currently installed, you must remove it from the projector and measure the diameter.

1. Unlock the front top lid using the low security key provided.
2. Lift the lid up and remove.

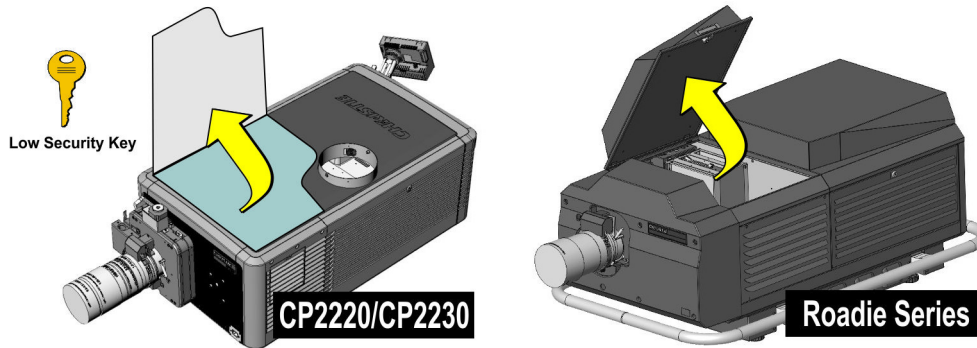


Figure 1 Remove top Lid from Projector

3. **CP2220 and CP2230 ONLY:** Using the high security key unlock and remove the high security lid to gain access to components in the light engine and cardcage components.



Figure 2 Remove High Security Lid

4. **CP2220 and CP2230 ONLY:** Manually loosen the thumbscrew shown in **Figure 3, left** in order to remove the security door.
5. Use the 3mm hex key to remove the 2 screws securing the aperture.
6. Slide the aperture up and out of the projector.
7. Swap in a new aperture. **NOTE:** *Secure the aperture with the 2 screws removed in Step 5.*
8. Replace the security door, the high security lid and the top lid.
9. Power up and test.

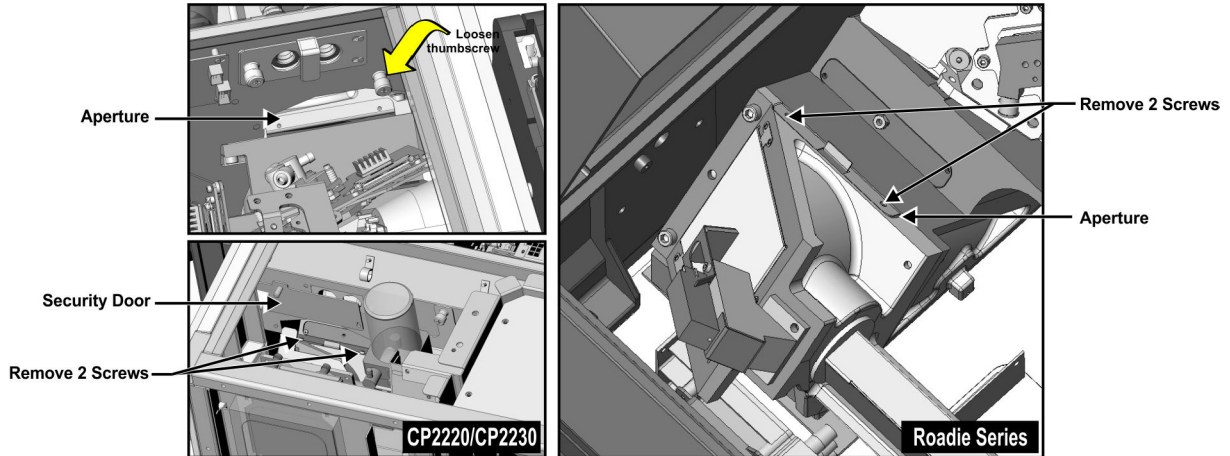


Figure 3 Remove Aperture