

# Installing a Christie One Mount/Christie One Mount Plus

This document provides instructions for installing the Christie One Mount or Christie One Mount Plus and optional accessories to mount Christie projectors to a ceiling or truss.

## Safety precautions



Failure to comply with these safety precautions may result in serious injury, or even death.

- Only Christie qualified technicians are permitted to open product enclosures.
- SHOCK HAZARD! Disconnect the from AC before moving, servicing, cleaning, removing components, or opening any enclosure.
- A minimum of two people or appropriately rated lift equipment is required to safely lift, install, or move the product.
- FIRE HAZARD! Do not install near any devices that produce heat such as amplifiers, radiators, heat registers, or stoves.
- Do not exceed the maximum load capacity of the product.
- Do not install on a structure susceptible to vibration, movement, or change of impact.

## Tools required

- 5mm hex key
- 3mm hex key

## Parts Lists

Christie One Mount (P/N: 108-506102-XX)

Christie One Mount Plus (P/N: 140-117100-XX)

Christie One Mount Extender Rod (P/N: 121-125109-XX)

Christie One Mount Rigging Kit (P/N: 121-126100-XX)

## Prerequisites

- Christie One Mount maximum projector weight limit is 25 kb (55 lbs).
- Christie One Mount Plus maximum projector weight limit is 45 kg (99 lbs).

- Mount the ceiling plate to a structure capable of handling the combined maximum weight of the projector and the mount.
- The installation of the ceiling mount and supporting structure must meet local building codes.
- Attach the ceiling plate to the supporting structure using all four holes (mounting screws and bolts are not included with the mount).
- If mounting to ceiling studs, ensure that the mounting screws are anchored into the center of the ceiling studs. Christie recommends using an edge-to-edge stud finder.
- Be aware of the mounting environment. If drilling and/or cutting into the mounting surface, always make sure no electrical wires are in the wall.
- To prevent image vibration, Christie recommends not installing the fog filters on HS Series projectors mounted with Christie One Mount Plus.

## Installing the Christie One Mount/Christie One Mount Plus

Follow these instructions to install a Christie One Mount/Christie One Mount Plus.

1. Refer to the projector's User manual to determine the correct mount to use.
2. Position and securely fasten the ceiling plate to the ceiling.



3. Insert the calibration device into the ceiling plate and secure with the two setscrews.



4. Position the projector adaptor plate with adjustable arms on the bottom side of the projector.



5. Secure the adjustable arm plate to the projector by positioning the screws of the plate with the designated holes on the bottom of the projector.
  - GS Series projectors must use M6-1.0 x 40 mm long screws with two washers and rubber bushings. Torque the screws to 16 Nm.

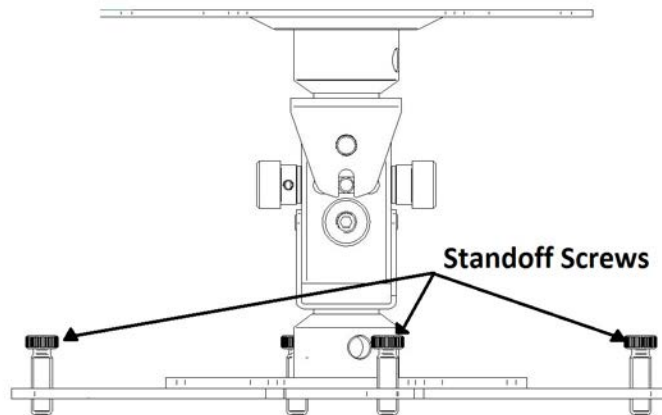


- H/HS Series projectors must use M8-1.25 x 50 mm long screws with two washers and torque to 38 Nm.



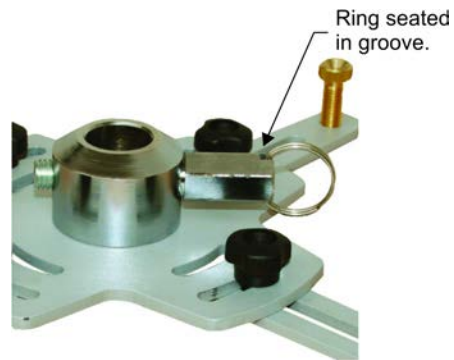
6. Ensure that the washer and rubber bushings are installed on the M6 bolts when using these with the Christie One Mount Plus (140-117100-XX).
7. Use the four brass leveling screws to attach and level the adapter plate on the projector.

Projector standoffs are adjustable spacers which can be used to level the arms of the Christie One Mount. The projector standoffs also ensure screws are centered when the projector is attached to the mount.



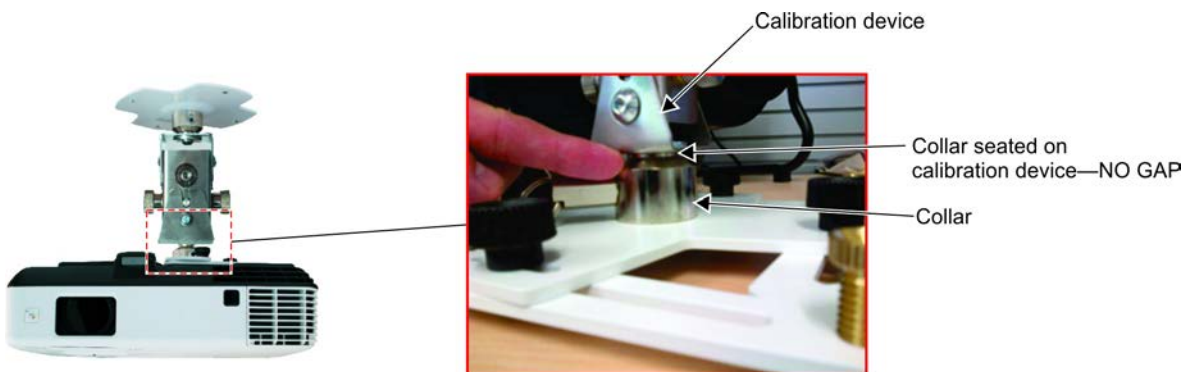
8. Ensure the quick-release ring is seated in the slotted groove.

Use the quick-release for rapidly attaching the projector to the mount.

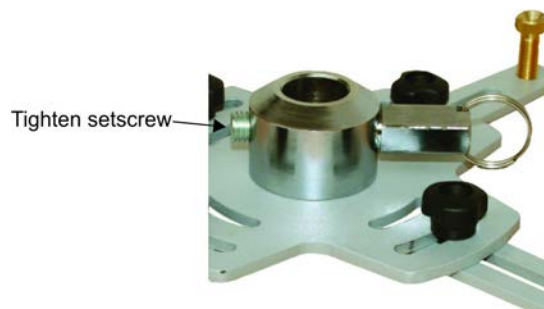


9. Secure the projector to the ceiling mount with the quick-release.

Ensure the projector is locked into place by verifying that the spring lock pin is seated in the calibration device slot. A clicking sound indicates the lock pin is seated properly in the holder. Ensure no gap exists between the ceiling plate collar and calibration device.



10. Tighten the setscrew.



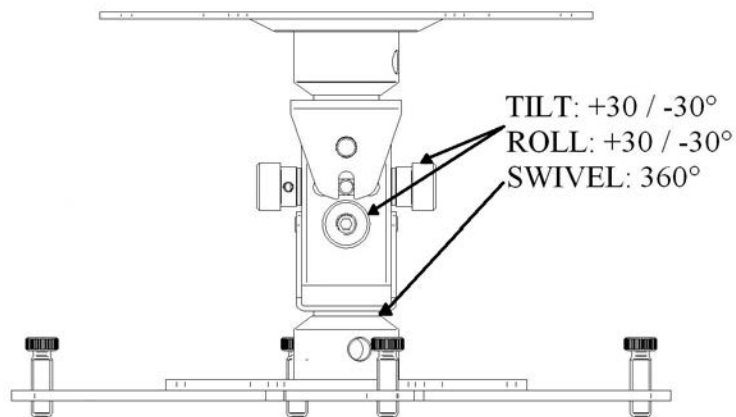
11. Calibrate and position the mount with the four adjustment knobs.



12. In the case of heavy loads, use a hex key to calibrate the projector position.



13. Tilt and roll knobs differ based on the orientation of the projector on the mount.



14. To eliminate vibration or movement during operation tighten the four button screws.



## Installing the Christie One Mount Extender Rod

The extender rod is an accessory used to adjust the distance between the projector and the mounting location.

1. Install the extender rod between the ceiling plate/rigging kit and calibration device.
2. Secure the extender rod to the calibration device/rigging kit and ceiling plate by tightening all four setscrews.



3. To install the extended mount follow the instructions for [Installing the Christie One Mount/Christie One Mount Plus](#) on page 2.

## Installing the Christie One Mount Rigging Kit

The rigging kit is an accessory used to mount to a truss or similar structure.

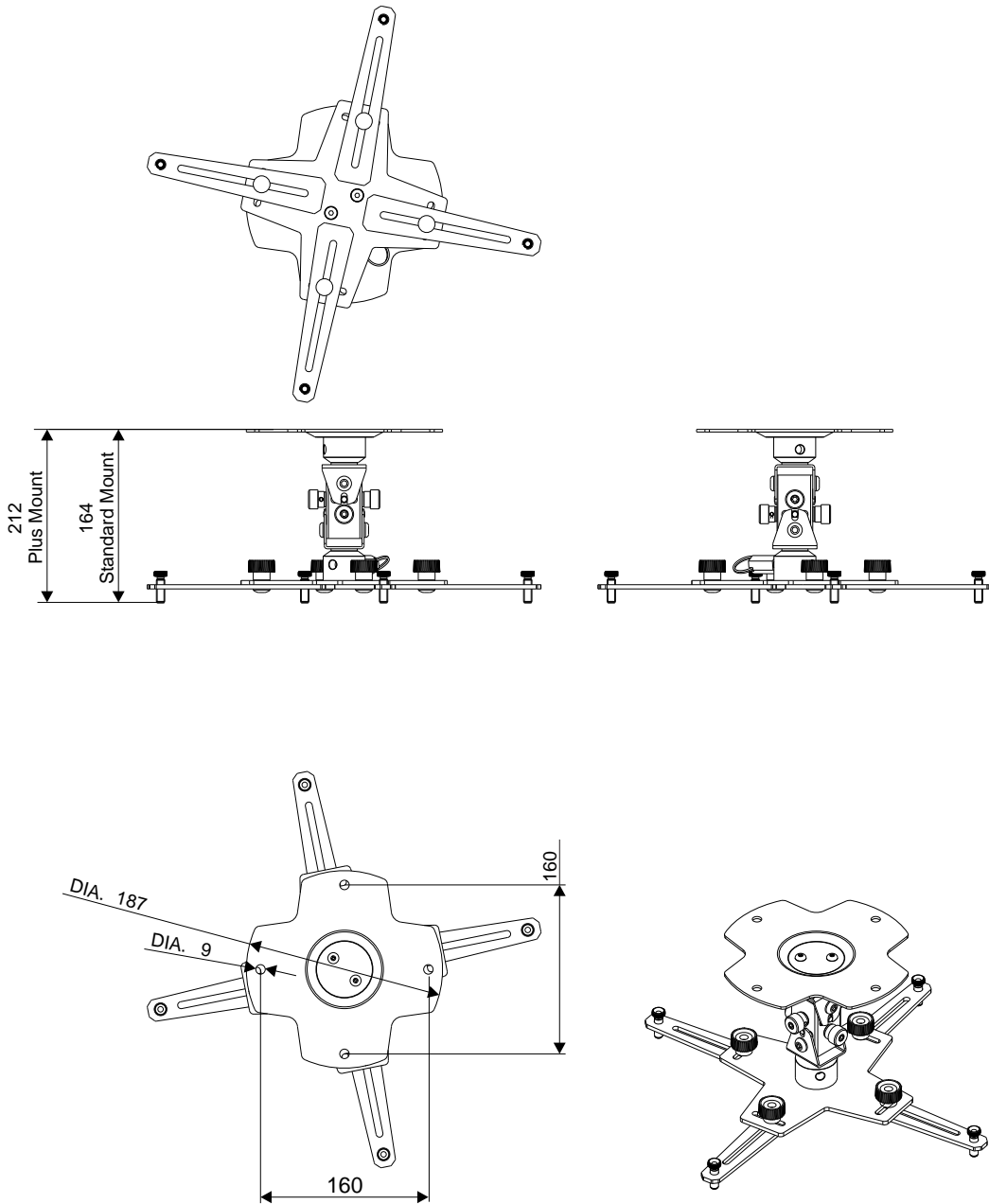
1. Install the rigging kit to the calibration device or extender rod.
2. Secure the rigging kit by tightening the two setscrews.



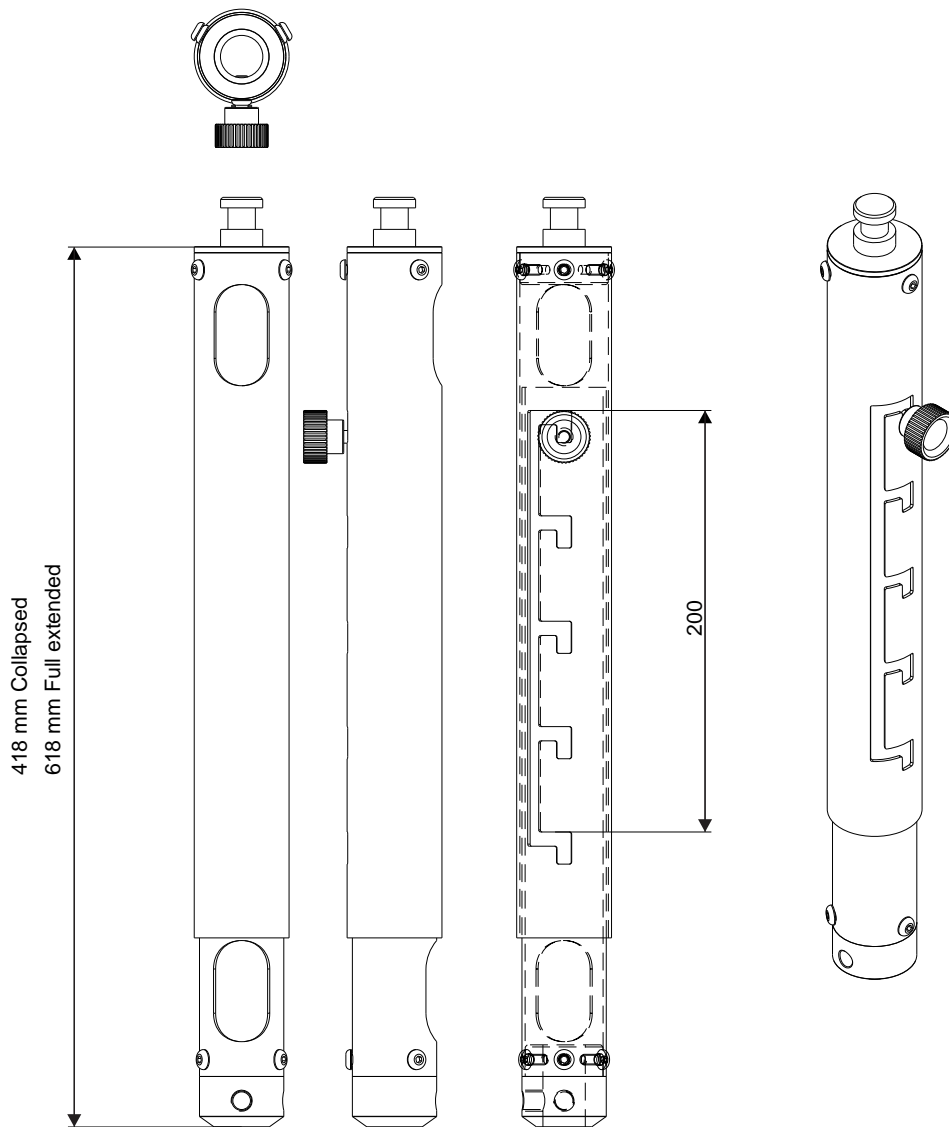
## Product details

The following shows the product details for Christie One Mount and Christie One Mount Plus, including

the extender rods.







## Technical support

North and South America: +1-800-221-8025 or [Support.Americas@christiedigital.com](mailto:Support.Americas@christiedigital.com)

Europe, Middle East, and Africa: +44 (0) 1189 778111 or [Support.EMEA@christiedigital.com](mailto:Support.EMEA@christiedigital.com)

Asia Pacific: [Support.APAC@christiedigital.com](mailto:Support.APAC@christiedigital.com)