

Packing the light engine

These instructions provide details for properly packaging the light engine for transportation.

Tools required

The following tools are required.

- 3 mm hex driver

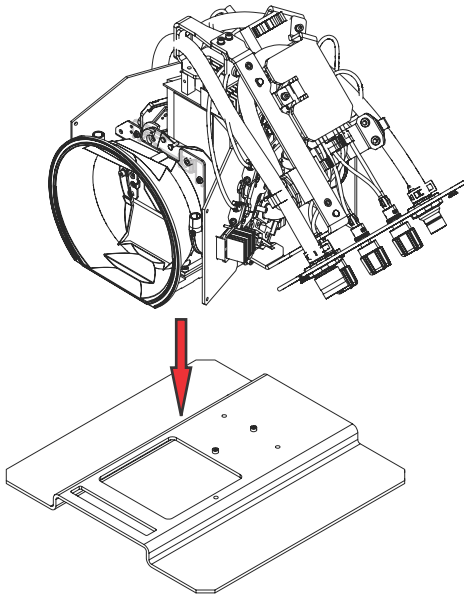
Packing the light engine

Follow these instructions to properly package the light engine.



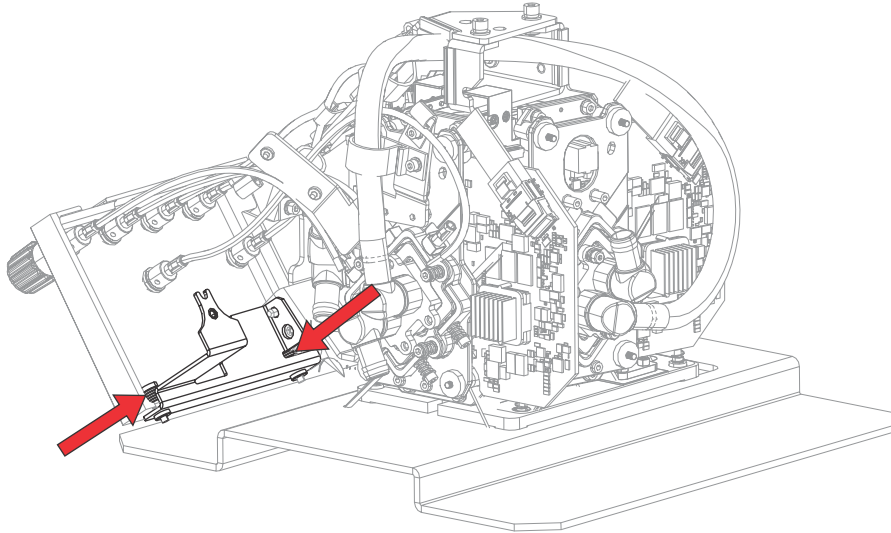
The graphics used in this document are for illustrative purposes only and may not reflect the light engine of your product.

1. Remove the new light engine from the ESD bag.
Observe how the ESD bag is tightened to the shipping base plate.
2. Remove the new light engine from the shipping base plate.
Observe the location of the screws securing the light engine to the shipping base plate.
3. Place the returning light engine onto the shipping base plate.

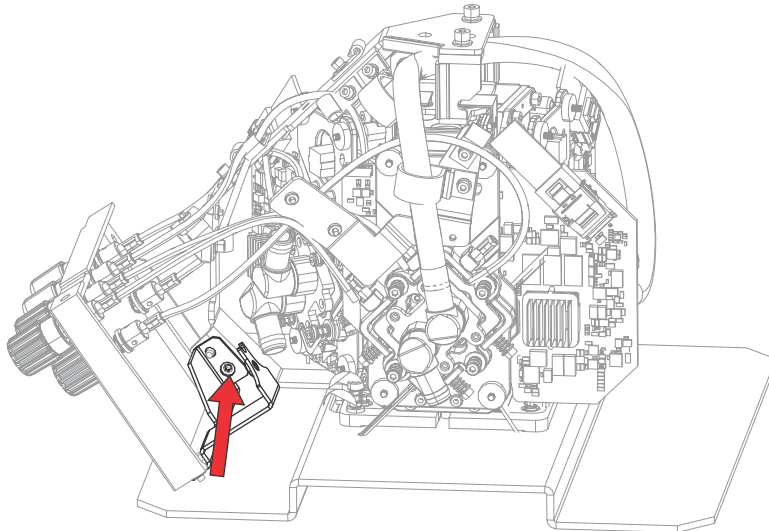


4. To secure the light engine to the shipping base plate, install the three screws.
Ensure the screws are securely tightened so the light engine does not become detached from shipping base plate.

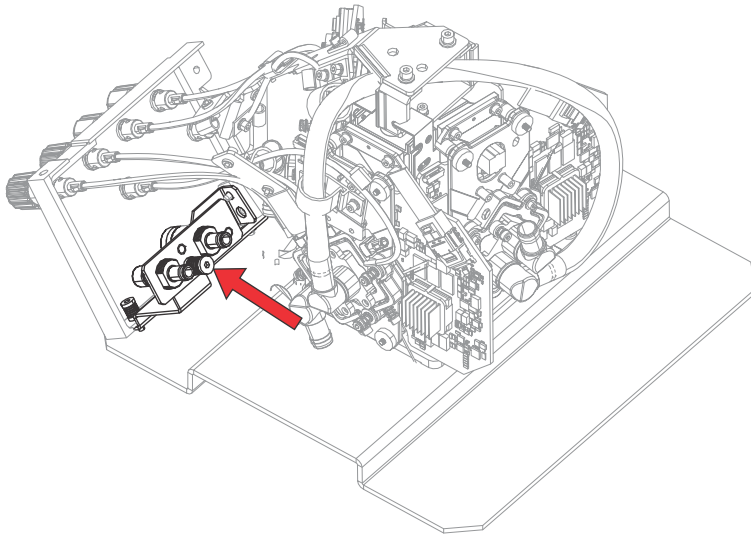
5. Transfer the shipping bracket from the new replacement light engine to the old light engine being returned.
6. Install the shipping bracket on the convergence plate.
7. To secure the shipping bracket to the convergence plate, tighten the two captive screws.



8. To secure the installed shipping bracket to the light engine bracket, tighten the captive screw.



9. To secure the coolant hose bracket to the shipping bracket, tighten the captive screw.



10. Place the light engine and base plate assembly into the ESD bag.
Ensure the ESD bag is loose so that the base plate slides underneath the plastic lip in the packaging tray.
11. Tape the ESD bag together to cover the light engine.
12. Place the light engine into the packaging insert tray.
Ensure the prism cutout in the shipping base plate is aligned with the prism cutout of the packaging insert tray.



The light engine base plate must sit flat underneath the plastic lip.



13. Insert the outer sleeve into the packaging box.



14. Place the light engine and insert tray into the packaging box.



15. Seal the packaging box for transportation.

Technical support

- North and South America: +1-800-221-8025 or Support.Americas@christiedigital.com
- Europe, Middle East, and Africa: +44 (0) 1189 778111 or Support.EMEA@christiedigital.com
- Asia Pacific: +65 6877-8737 or Support.APAC@christiedigital.com