

Installing the Enterprise rigging handles

The Enterprise rigging handles are designed to assist with lifting and rigging the projector. These instructions provide details for properly installing the handles.



Warning! If not avoided, the following could result in death or serious injury.

- Prior to rigging the projector, always tighten the lock nut on the projector feet against the bottom of the projector to lock the feet. Otherwise, the feet must be removed.
- Prior to rigging the projector, inspect the quarter-turn fasteners on the covers to make sure they are safely secured.



The illustrations in this document are for representation only and may not depict your model exactly.

Affected products

The following product series are affected:

- Boxer® series
- Crimson series
- 4K40-RGB Series
- Griffyn® Series
- Mirage SST
- Sapphire® 4K40-RGBH

Required tools

The following tool is required:

- 10 mm hex driver/key
- Torque wrench capable of attaining 120 to 150 in-lb

Required components

The following components are required:

Side rigging handles:

- 785 mm Rigging Handle kit (P/N: 144-134109-XX)
- 774 mm Rigging Handle kit (P/N: 163-125109-XX)

- 855 mm Rigging Handle kit (P/N: 165-103105-XX)
- 535 mm Rigging Handle kit (P/N: 168-104106-XX)

End rigging handles:

- 576 mm Rigging Handle kit (P/N: 163-162100-XX)
- 652 mm Rigging Handle kit (P/N: 163-132107-XX)

Installing the rigging handles

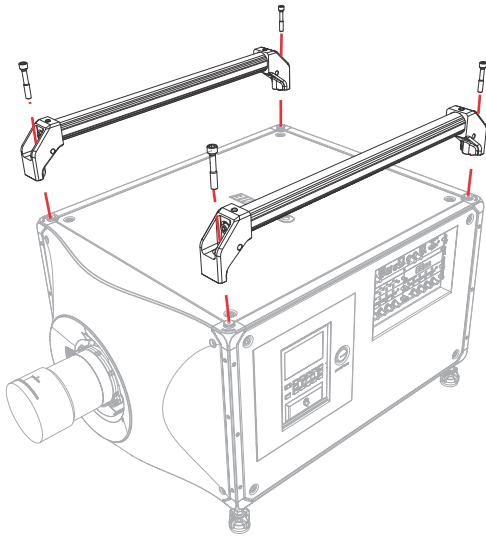
Complete the following steps to install the Enterprise rigging handles.



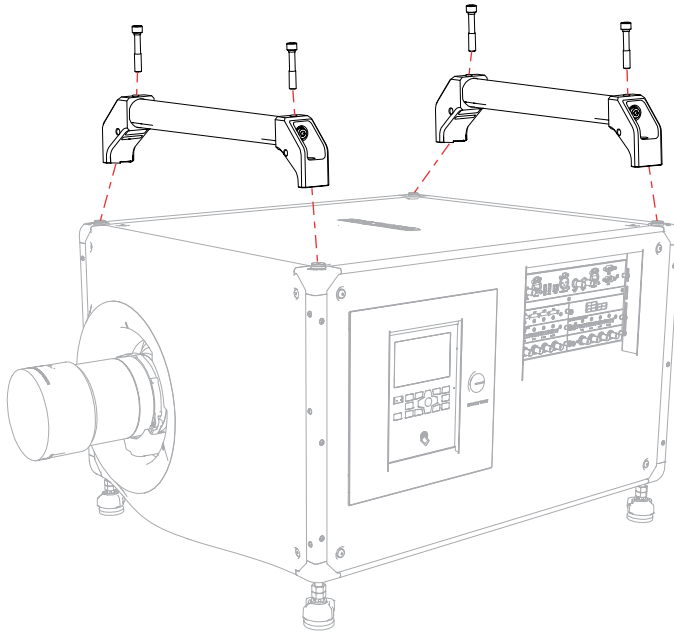
The end rigging handles are only available for Griffyn® Series, Sapphire® 4K40-RGBH, and the Crimson Series.

1. Locate the four threaded holes on the projector mounting surface.
2. Align the two handles over the mounting holes.
3. Install the four screws and tighten to a torque of 120 to 150 in-lb.

Side rigging handles in landscape configuration:

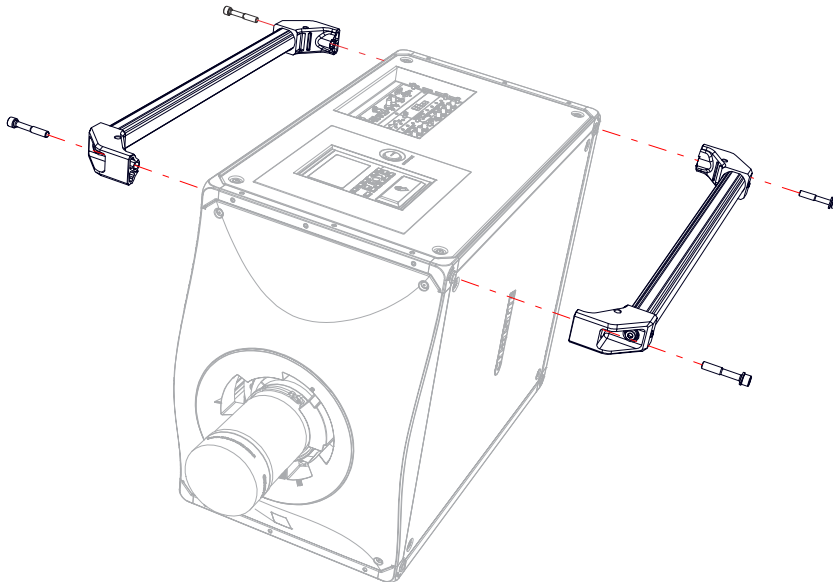


End rigging handles in landscape configuration:



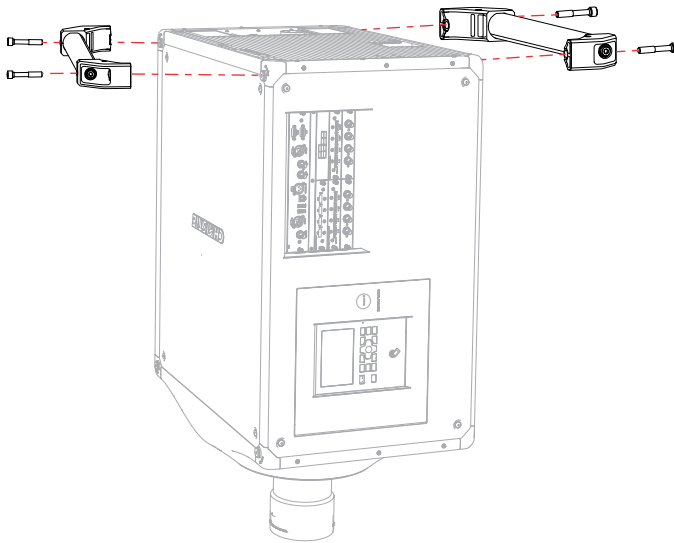
4. To use the side rigging handles in portrait configuration or the end rigging handles to hang the projector straight down, remove the projector feet.

Side rigging handles in portrait configuration:



Only use the holes located on the handles for installing the feet in portrait mode.

End rigging handles to hang the projector straight down:



5. To assist with stability and prevent sway, Christie recommends installing two 2-inch ProBurger clamps on each handle. Orient the clamps on either side of the projector's center of gravity.

If removing the top or bottom cover and the side rigging handles are installed, lift up the cover to clear the frame, rotate 90 degrees, and slide the cover out under the handles.

Technical support

Technical support for Christie Enterprise products is available at:

- North and South America: +1-800-221-8025 or Support.Americas@christiedigital.com
- Europe, Middle East, and Africa: +44 (0) 1189 778111 or Support.EMEA@christiedigital.com
- Asia Pacific (support.apac@christiedigital.com):
 - Australia: +61 (0)7 3624 4888 or tech-Australia@christiedigital.com
 - China: +86 10 6561 0240 or tech-supportChina@christiedigital.com
 - India: +91 (80) 6708 9999 or tech-India@christiedigital.com
 - Japan: 81-3-3599-7481
 - Singapore: +65 6877-8737 or tech-Singapore@christiedigital.com
 - South Korea: +82 2 702 1601 or tech-Korea@christiedigital.com