

4K-RGB 120mm fan upgrade instructions

This instruction sheet describes the procedure to install the 120mm fan upgrade kit (P/N: 003-006817-XX).

Affected products

The following products are affected.

- Christie CP4325-RGB (P/N: 163-001102-XX)

Prerequisites

The following components are required.

- 120mm fan retrofit kit (P/N: 003-006817-XX)

Required tools

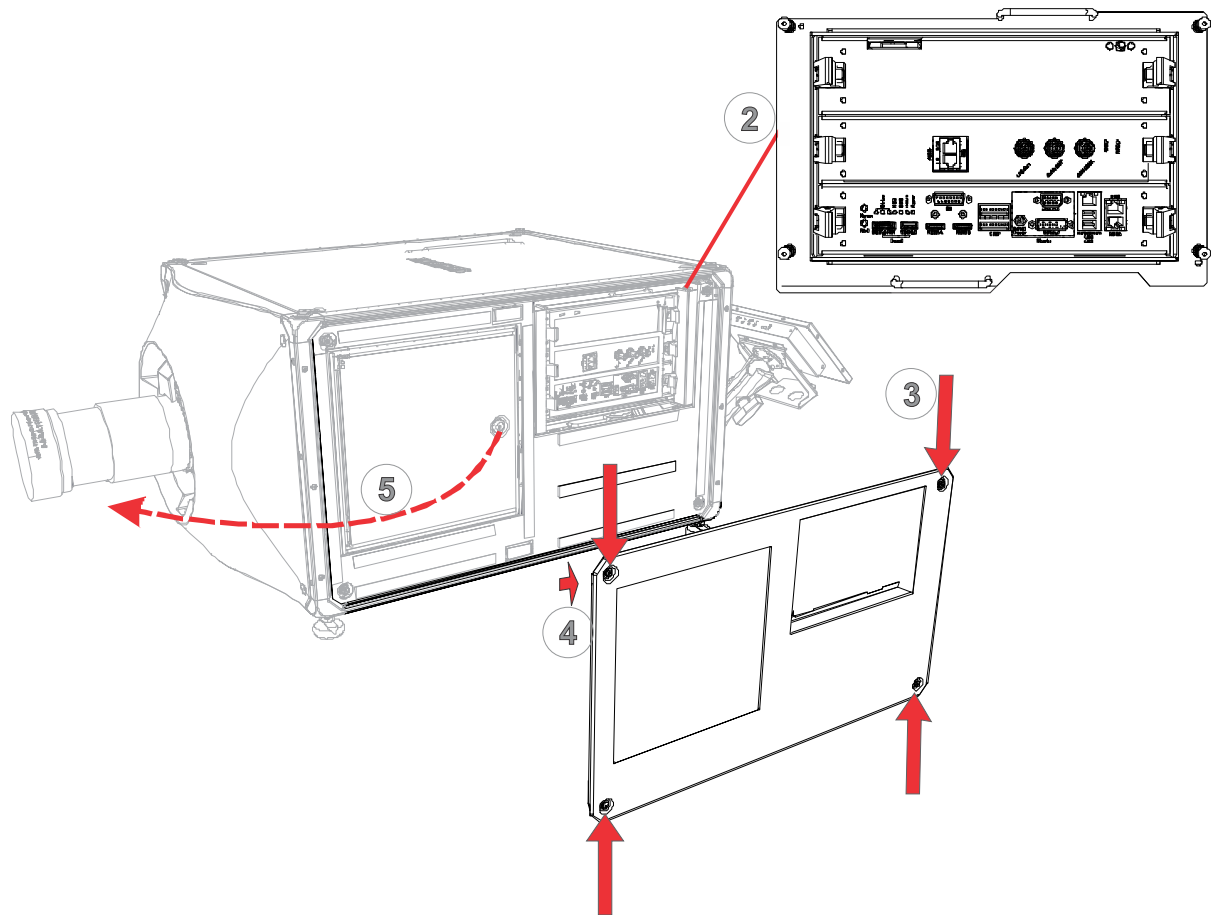
The following tools are required:

- 3 mm hex screwdriver
- 2.5 mm hex screwdriver

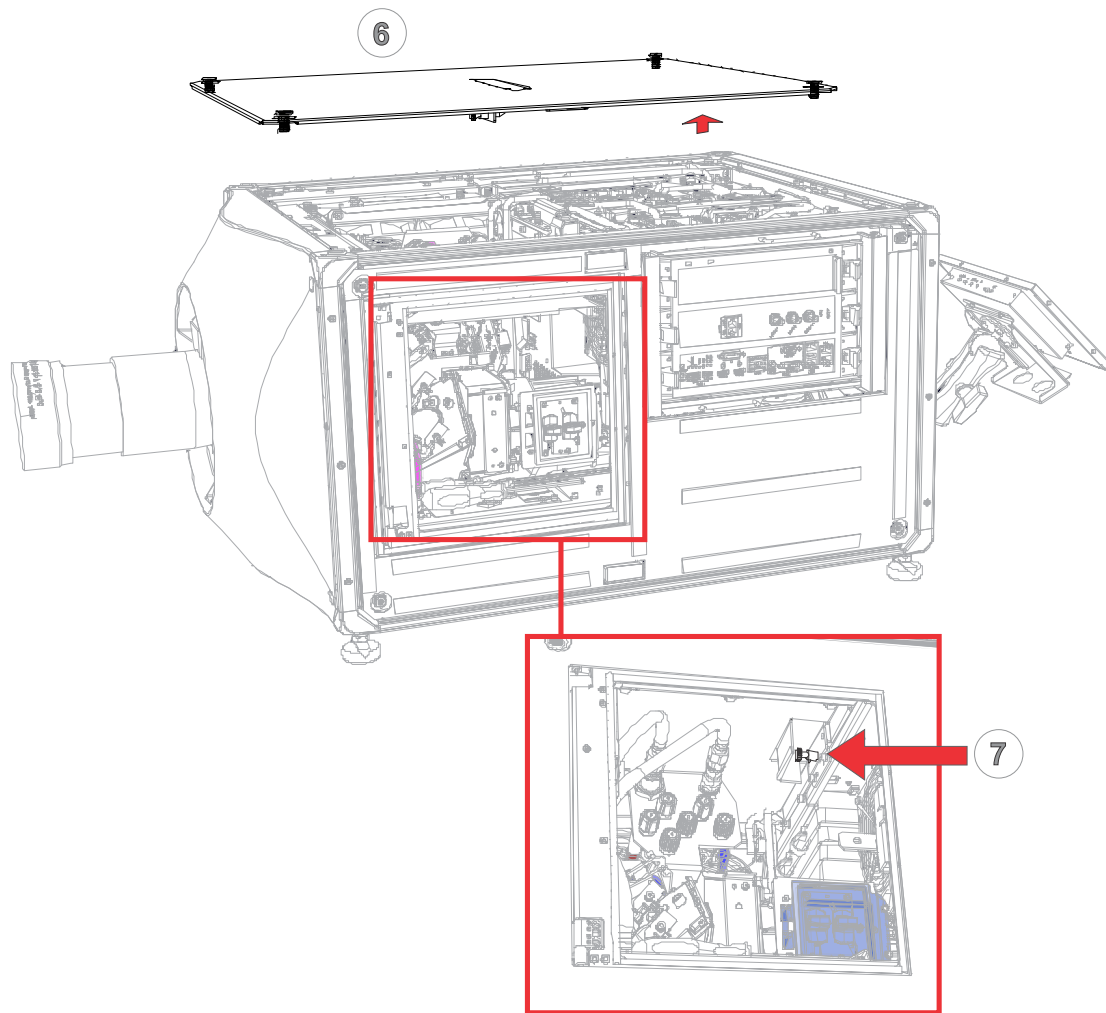
Replacing the existing fan kit

Some components and fasteners are retained and reused during fan retrofit installation. These components are identified in the relevant step.

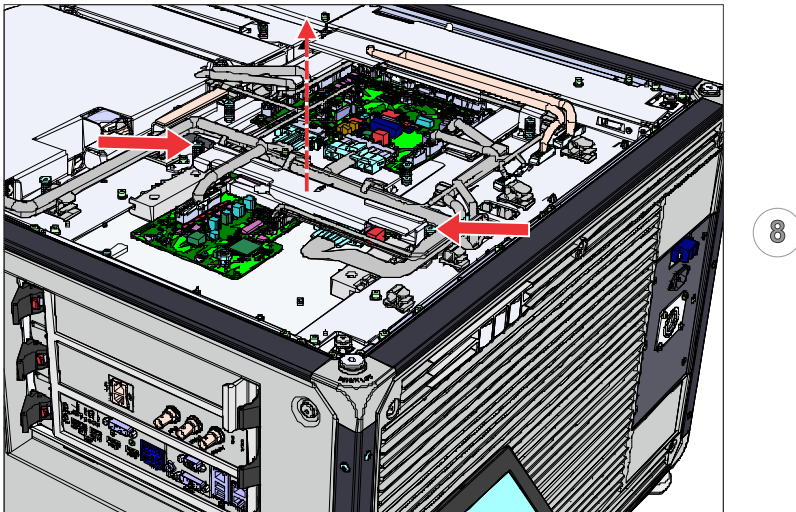
1. Shut the projector off and disconnect the power.



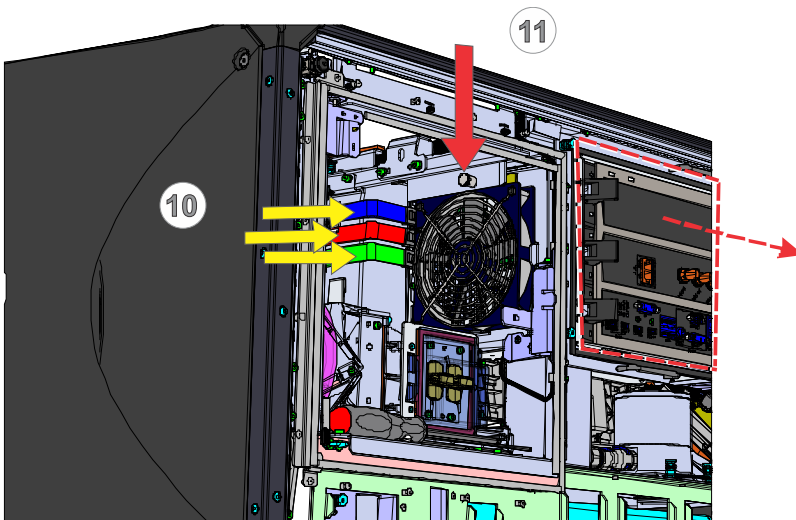
2. Disconnect all harnesses connected to the card cage (shown above, tag 2).
3. Use a 3 mm hex screwdriver to loosen the four quarter-turn screws on the electronics-side cover (tag 3 in graphic above).
4. Remove the electronics-side cover (tag 4).
5. Open the service door, tag 5.



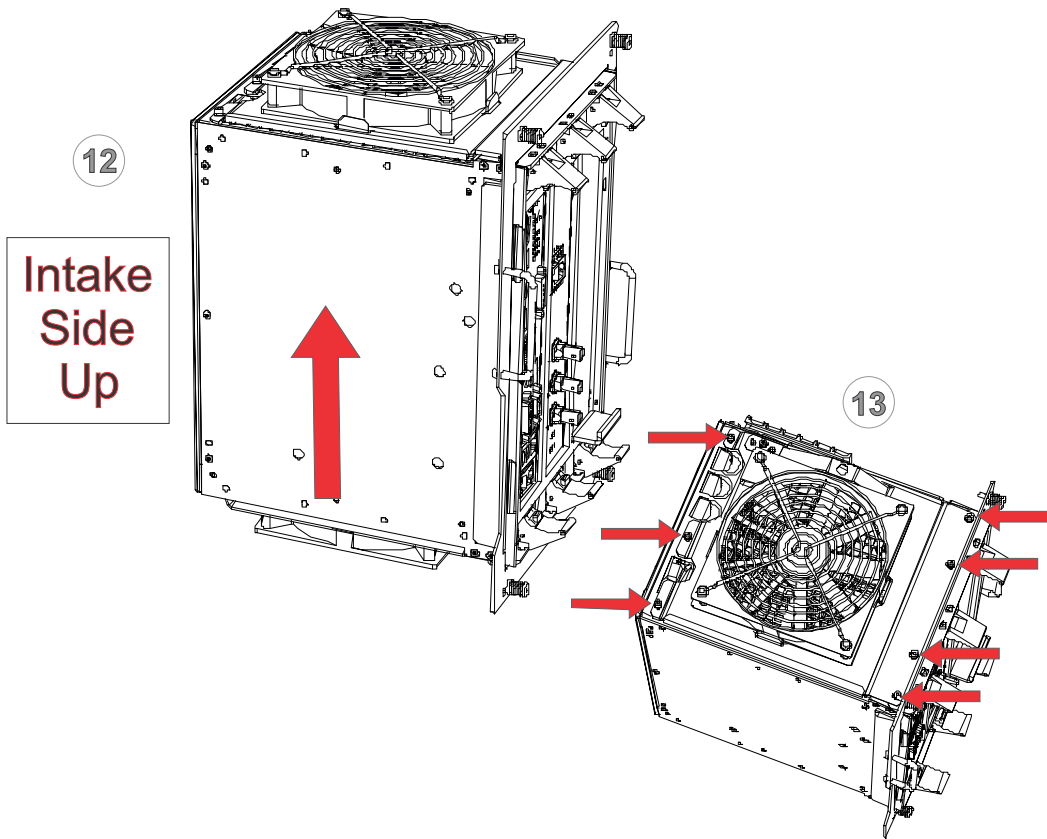
6. Use a 3 mm hex screwdriver to loosen the four quarter-turn screws on the corners of the top cover (tag 6).
7. Release the cover latch pin, accessed through the service door as shown on tag 7, then remove the top cover.



8. Loosen two 3 mm hex captive screws and remove the bracket shown on tag 8.
9. Disconnect SCCB harnesses J5, J7 and J87. Disconnect HUB-NX harnesses J17 and J18.



10. Disconnect the light engine SAS harnesses shown on tag 10 in the graphic above, and release the four M4 captive screws securing the card cage to the projector (not shown).
11. Release the security pin indicated on the uppermost #11 arrow in the graphic above, and remove the card cage from the projector as shown by the arrow on the right.
12. Place the card cage in the orientation shown on tag 12 (next page) once it is removed.



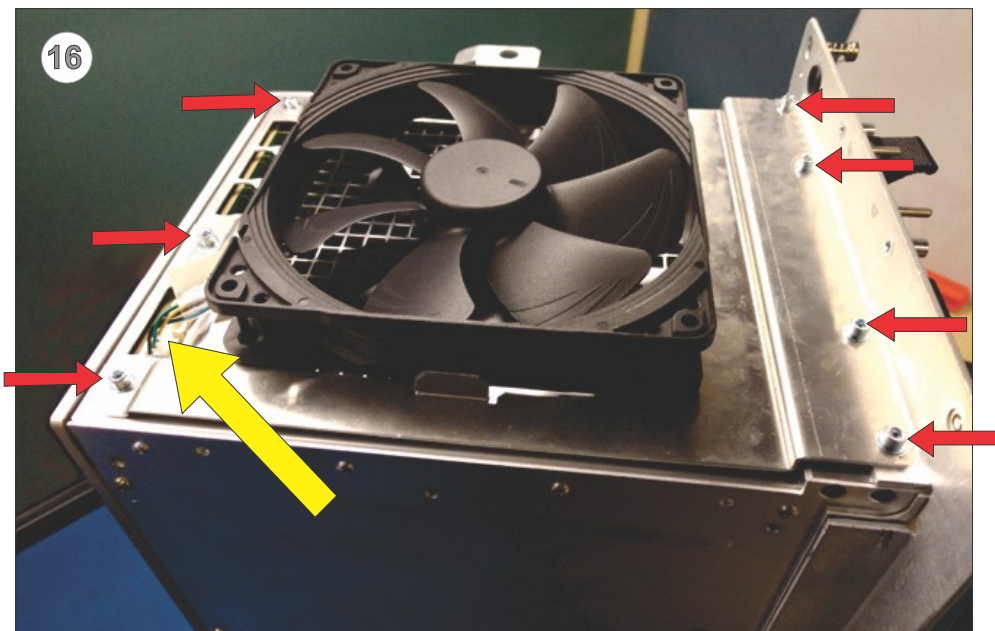
13. Remove the seven 2.5 mm hex screws shown on tag 13 graphic above and disconnect the fan wire located between the lower two left-hand fan bracket screws.



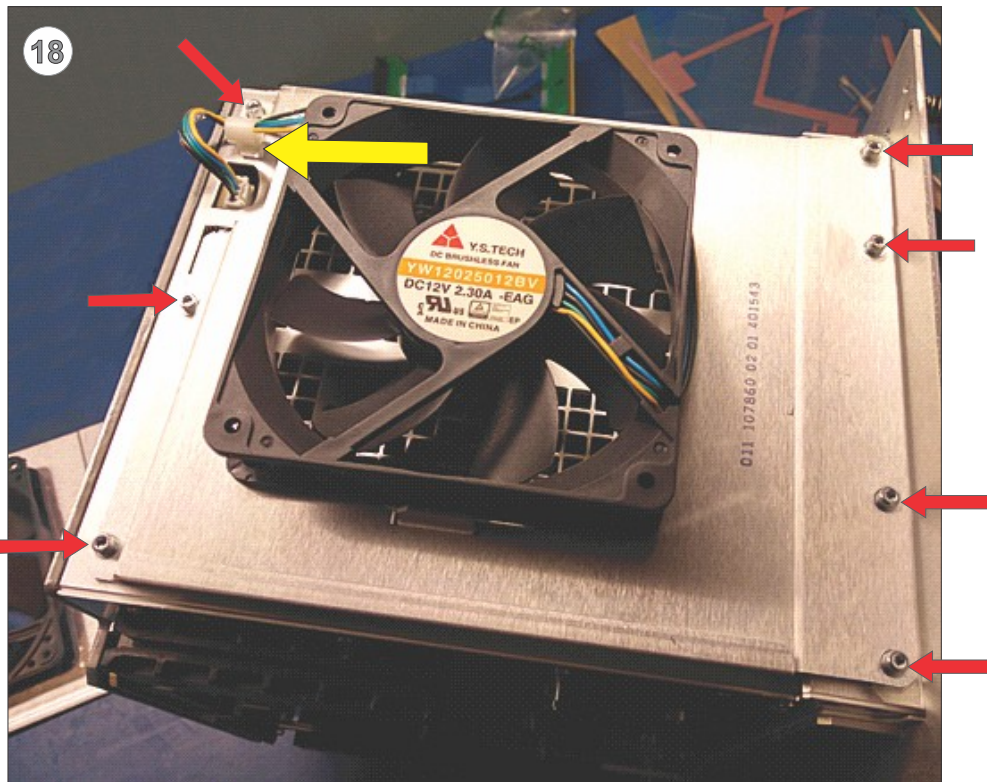
14. Place the fan bracket and screws aside (tag 14).
The screws are used later to fasten the replacement fan.



15. Obtain the 120 mm fan bracket assembly from the fan upgrade assembly kit #003-006817-01, attach it loosely using the seven screws (previously removed) and install the p-clip from the upgrade kit. Torque all screws to 8 in-lb and thread the fan harness through the p-clip as shown on tag 15. Connect the harness to the plug and flex it up as shown in the photograph.



16. Rotate the card cage so the exhaust side is facing up as shown in graphical step 16 above.
17. Remove the seven screws (as shown) and disconnect the fan wire harness (indicated by the larger yellow arrow).
18. Place the fan bracket and screws aside.
The screws are reused later in this procedure to reattach the new fan bracket.



19. Place the new 120 mm fan bracket assembly from the fan upgrade assembly kit (P/N: 003-006817-01) on the card cage and loosely reinstall the seven screws removed earlier in this procedure. Install the p-clip from the upgrade kit, torque the screws to 8 in-lb. and connect the harness to the plug. Flex the harness up as shown in graphical step 18 above by the larger yellow arrow.
20. Reinstall the card cage, reconnect the light engine harnesses and ensure the security pin is engaged.
21. Reconnect the harnesses removed in step 9 of this procedure.
22. Replace the bracket removed in step 8 and replace and tighten the 3 mm hex screws.
23. Replace and secure the top cover.
24. Close the service door.
25. Replace and secure the electronics-side cover.

Technical support

Technical support for Christie products is available at:

- North and South America: +1-800-221-8025 or Support.Americas@christiedigital.com
- Europe, Middle East, and Africa: +44 (0) 1189 778111 or Support.EMEA@christiedigital.com
- Asia Pacific: +65 6877-8737 or Support.APAC@christiedigital.com
- Christie Managed Services: +1-800-550-3061 or NOC@christiedigital.com