

# Foot lock brackets for pedestals

This instruction sheet provides information on how to install the foot lock brackets to secure the pedestal for the CP4415-RGB (Gen1 and Gen2), CP4420-RGB (Gen1 and Gen2), CP4425-RGB, CP4430-RGB, and CP4435-RGB projectors.



**Warning!** If not avoided, the following could result in death or serious injury.

- TIP HAZARD! Not properly anchoring the pedestal using the foot lock brackets can cause tipping and instability.

## Affected products

The following products are affected.

- Christie CP4415-RGB Gen1
- Christie CP4415-RGB Gen2
- Christie CP4420-RGB Gen1
- Christie CP4420-RGB Gen2
- Christie CP4425-RGB
- Christie CP4430-RGB
- Christie CP4435-RGB

## Required components

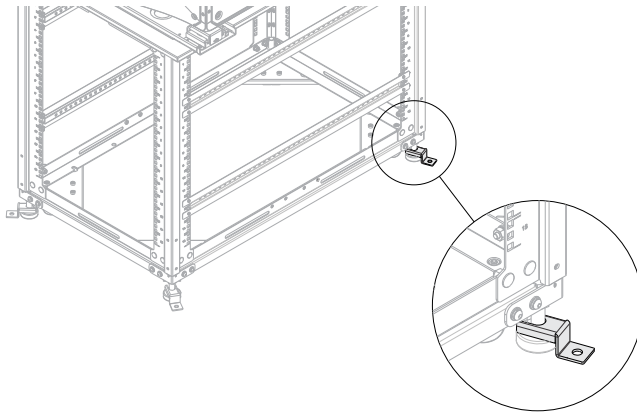
The following components are required.

- Series II Rack Stand (P/N: 108-416102-XX)
- Anchor Bottom Pedestal Foot kit (P/N: 163-161109-XX)

## Securing the pedestal with foot lock brackets

Complete these steps to secure the pedestal.

1. Place a foot lock bracket over each leveling foot.



2. Secure the bracket to the floor.

The hardware to secure the bracket to the floor is provided in the Anchor Bottom Pedestal Foot kit (P/N: 163-161109-XX).

## Technical support

Technical support for Christie Cinema products is available at:

- [Support.cinema@christiedigital.com](mailto:Support.cinema@christiedigital.com)
- +1-877-334-4267
- Christie Professional Services: +1-800-550-3061 or [NOC@christiedigital.com](mailto:NOC@christiedigital.com)