

Labeling the 2K lens for Christie M RGB Series projectors

This instruction sheet describes how to apply the new lens throw ratio label when using the lens (P/N: 163-165103-XX) with Christie M RGB Series projectors.

The existing 2K throw ratio labeled on the lens is 1.2-1.75:1. When this lens is used with Christie M RGB Series projectors, the throw ratio is 1.28-1.87:1.

Affected products

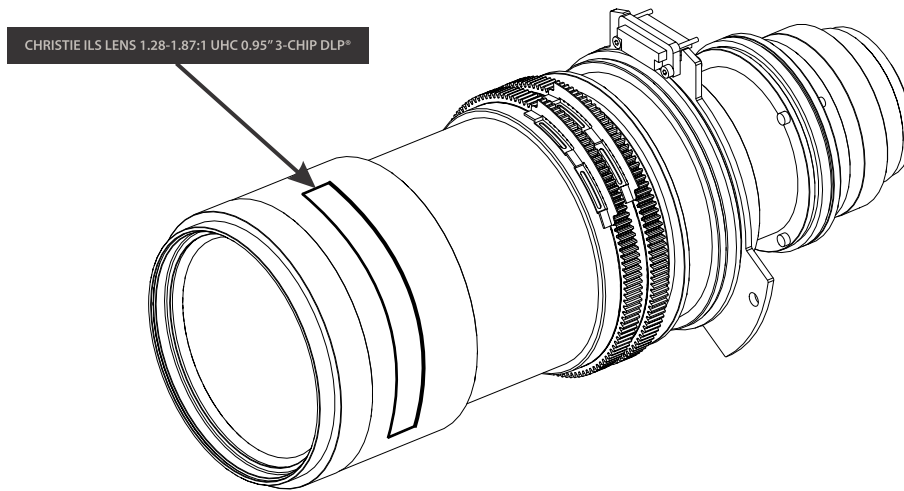
The label is applicable for 2K lenses (P/N: 163-165103-XX) used with Christie M RGB Series projectors.

- Christie M 4K15 RGB
- Christie M 4K+15 RGB
- Christie M 4K25 RGB
- Christie M 4K+25 RGB

Installing the lens throw ratio label

Follow these steps to install the label onto the lens.

1. Peel the adhesive backing off the labels.
2. Locate and apply the labels over top of the existing throw ratio information in both areas, 180 degrees from one another on the lens barrel.



Technical support

Technical support for Christie products is available at:

- North and South America: +1-800-221-8025 or Support.Americas@christiedigital.com
- Europe, Middle East, and Africa: +44 (0) 1189 778111 or Support.EMEA@christiedigital.com
- Asia Pacific (support.apac@christiedigital.com):
 - Australia: +61 (0)7 3624 4888 or tech-Australia@christiedigital.com
 - China: +86 10 6561 0240 or tech-supportChina@christiedigital.com
 - India: +91 (80) 6708 9999 or tech-India@christiedigital.com
 - Japan: 81-3-3599-7481
 - Singapore: +65 6877-8737 or tech-Singapore@christiedigital.com
 - South Korea: +82 2 702 1601 or tech-Korea@christiedigital.com
- Christie Professional Services: +1-800-550-3061 or NOC@christiedigital.com