

Installation and Setup Guide
020-103979-01

Christie Sapphire 4K40-RGBH

CHRISTIE®

NOTICES

COPYRIGHT AND TRADEMARKS

Copyright © 2025 Christie Digital Systems USA Inc. All rights reserved.

All brand names and product names are trademarks, registered trademarks or trade names of their respective holders.

GENERAL

Every effort has been made to ensure accuracy, however in some cases changes in the products or availability could occur which may not be reflected in this document. Christie reserves the right to make changes to specifications at any time without notice. Performance specifications are typical, but may vary depending on conditions beyond Christie's control such as maintenance of the product in proper working conditions. Performance specifications are based on information available at the time of printing. Christie makes no warranty of any kind with regard to this material, including, but not limited to, implied warranties of fitness for a particular purpose. Christie will not be liable for errors contained herein or for incidental or consequential damages in connection with the performance or use of this material. Our centers of excellence for manufacturing in Kitchener, Ontario, Canada and in Shenzhen, China are ISO 9001:2015 Quality Management System-certified.

Christie is committed to making our documents free from language bias; however, we are not responsible for the language used on any linked or third-party documentation.

For the most current technical documentation and office contact information, visit <https://www.christiedigital.com/>.

Warranty

Products are warranted under Christie's standard limited warranty, the details of which are available at <https://www.christiedigital.com/help-center/warranties/> or by contacting your Christie dealer or Christie.

REGULATORY


The product has been tested and found to comply with the limits for a Class A digital device, pursuant to Part 15 of the FCC Rules. These limits are designed to provide reasonable protection against harmful interference when the product is operated in a commercial environment. The product generates, uses, and can radiate radio frequency energy and, if not installed and used in accordance with the instruction manual, may cause harmful interference to radio communications. Operation of the product in a residential area is likely to cause harmful interference in which case the user will be required to correct the interference at the user's own expense. Changes or modifications not expressly approved by the party responsible for compliance could void the user's authority to operate the equipment

CAN ICES-3 (A) / NMB-3 (A)

이 기기는 업무용(A급)으로 전자파적합등록을 한 기기이오니 판매자 또는 사용자는 이점을 주의하시기 바라며, 가정 외의 지역에서 사용하는 것을 목적으로 합니다.

ENVIRONMENTAL



The product is designed and manufactured with high-quality materials and components some of which can be recycled and reused. This symbol  means electrical and electronic equipment, at their end-of-life, should be disposed of separately from regular waste. Please dispose of the product appropriately and according to local regulations. In the European Union, separate collection systems are for used electrical and electronic products.

If printing this document, consider printing only the pages you need and select the double-sided option.

Please help us to conserve the environment we live in!

Notation

Learn the hazard and information symbols used in the product documentation.



Danger messages indicate a hazardous situation which, if not avoided, results in death or serious injury.



Warning messages indicate a hazardous situation which, if not avoided, could result in death or serious injury.



Caution messages indicate a hazardous situation which, if not avoided, could result in minor or moderate injury.



Notice messages indicate a hazardous situation which, if not avoided, may result in equipment or property damage.



Information messages provide additional information, emphasize or provide a useful tip.

Content

Introduction	7
Product documentation	7
Related documentation	7
Important safeguards	8
Safety and warning guidelines	8
Installation safety and warning guidelines	9
AC power precautions	9
Laser safety precautions	10
Light intensity hazard distance	10
Product labels	20
General hazards	20
Mandatory action	21
Electrical labels	22
Laser labels	22
Additional safety hazards	23
Projector overview	23
Contact your dealer	23
Key features	24
List of components	24
Accessories	24
Interconnection and line drawings	26
Technical support	27
Installation and setup	28
Site requirements	28
Power requirements	29
Projector components	29
Display panel components	30
IR/wired remote keypad	31
Required tools	33
Preparing the installation site	34
Lifting and positioning the projector	34
Projector sides	35
Leveling the projector	35

Installing the projector lens.	36
Calibrating the lens motor.	37
Removing the projection lens.	37
Installing the ultra short throw projector lens.	38
Installing an intelligent filter holder (IFH).	40
Connecting the projector to power.	42
Hardwiring the power connection.	42
Connecting power with a line cord.	44
Turning on the projector.	45
Projector LED status indicators.	45
Projector LED shutter indicators.	46
Turning off the projector.	46
Disposing of the product packaging.	47
Completing the installation checklist.	47
Aligning the image.	48
Adjusting offset.	48
Resetting the lens to home position.	48
Selecting a test pattern.	49
Running a Hawkeye calibration.	49
Adjusting boresight.	50
Optimizing the integrator zoom and focus.	50
Adjusting the fold mirror.	54
Aligning the image with lens zoom and focus.	56
Adjusting digital micromirror device (DMD) convergence.	56
Mechanically adjusting convergence.	57
Electronically adjusting convergence with the remote.	58
Electronically adjusting convergence through the menu.	60
Running Auto Setup to optimize display settings.	62
Connecting devices and establishing communication.	63
Video Input panel.	63
Configuring video input.	65
Enabling projector communication.	66
Setting the remote access level.	66
Selecting a port configuration.	66
Selecting a video source.	67
Connecting an HDMI video source.	67
Connecting 12G, 6G, 3G, or HD SDI video source.	68

Connecting a DisplayPort video source.	68
Connecting Christie Link video source.	69
Connecting an SDVoE video source.	69
Determining if SDVoE is supported.	70
Connecting to a computer with USB.	70
Connecting to a computer or server with 10/100/1000 base-T Ethernet.	70
Setting up the Ethernet.	71
Communicating with Christie Sapphire 4K40-RGBH through Art-Net.	71
Configuring the 3D Sync in/3D Sync out interface.	75
Configuring the RS232 port.	75
Configuring the GPIO.	75
GPIO connector.	76
Enabling the wired remote keypad.	76
3D setup.	78
3D requirements.	78
Hardware requirements.	78
Software and content requirements.	78
Active stereo 3D configuration.	79
Passive stereo 3D configuration.	80
3D system timing.	80
3D input video configurations.	80
Setting up a single projector to display 3D content.	81
Enabling 3D mode.	81
Confirming the emitter setup.	81
Configuring the projector for the 3D source.	82
Connecting devices to the 3D sync ports.	82
Color comb 3D setup.	83
3D requirements.	83
Hardware requirements.	83
Software and content requirements.	84
Color comb 3D configuration.	84
Regulatory.	85
Safety.	85
Electro-magnetic compatibility.	85
Emissions.	85
Immunity.	85

California law on security.86
Environmental. 86

Introduction

This manual is intended for professionally trained operators of Christie high-brightness projection systems.



The illustrations in this document are for representation only and may not depict your model exactly.

Only Christie qualified technicians who are knowledgeable about the hazards associated with laser use, high-voltage, and the high temperatures generated by the projector lasers are authorized to assemble, install, and service the projector.

For complete Christie Sapphire 4K40-RGBH product documentation and technical support, go to www.christiedigital.com.

Product documentation

For installation, setup, and user information, see the product documentation available on the Christie website. Read all instructions before using or servicing this product.

1. Access the documentation from the Christie website:
 - Go to this URL: <https://bit.ly/469r2vF> or <https://www.christiedigital.com/products/projectors/all-projectors/sapphire-4k40-rgbh>.
 - Scan the QR code using a QR code reader app on a smartphone or tablet.



2. On the product page, switch to the **Downloads** tab.

Related documentation

Additional information on this product is available in the following documents.

- *Christie TruLife+ User guide (P/N: 020-103315-XX)*
- *TruLife+ Supported Video Formats technical reference (P/N: 020-104081-XX)*
- *Christie TruLife+ Status System guide (P/N: 020-103327-XX)*
- *Christie TruLife+ Serial Commands guide (P/N: 020-103316-XX)*
- *Christie Sapphire 4K40-RGBH Service guide (P/N: 020-103980-XX)*
- *Sapphire Line Drawing (P/N: 010-109659-XX)*
- *Sapphire Interconnect drawing (P/N: 020-103857-XX)*

Important safeguards

To prevent personal injury and to protect the device from damage, read and follow these safety precautions. This projector is intended for use in a non-cinema environment.

Safety and warning guidelines

Read all safety and warning guidelines before installing or operating the projector.

This projector must be operated in an environment that meets the operating range specification. Use only the attachments and/or accessories recommended by Christie. Use of others may result in the risk of fire, shock, or personal injury.



Warning! If not avoided, the following could result in death or serious injury.

- This product must be operated in an environment that meets the operating range as specified in this document.
- Do not look directly into the lens when the light source is on. The extremely high brightness can cause permanent eye damage.
- EXTREME BRIGHTNESS! When accessing a restricted access location for product service or maintenance, avoid exposure to the product beam path by turning off the product power and disconnecting the product from AC power, or by shuttering the light source to avoid emissions from the front aperture.
- FIRE HAZARD! Keep hands, clothes, and all combustible material away from the concentrated light beam of the projector.
- Keep fingers and other body parts away from the moving parts in the product. Tie back long hair, and remove jewelry and loose clothing before manually adjusting the product.
- FIRE AND SHOCK HAZARD! Use only the attachments, accessories, tools, and replacement parts specified by Christie.
- Do not operate the product without a lens installed.
- Always use a lens plug when installing or moving the product. This prevents contaminants from entering the product.
- RADIATION HAZARD! Use of controls or adjustments, or performing procedures other than those specified may result in hazardous radiation exposure.
- EXPLOSION HAZARD! Replacement battery must be of the correct type.
- EXPLOSION HAZARD! Dispose of the battery according to local area regulations.



Caution! If not avoided, the following could result in minor or moderate injury.

- TRIP OR FIRE HAZARD! Position all cables where they cannot contact hot surfaces, be pulled, be tripped over, or damaged by persons walking on or objects rolling over the cables.

Installation safety and warning guidelines

Read all safety and warning guidelines before installing the projector.



Warning! If not avoided, the following could result in death or serious injury.

- Possible hazardous optical radiation emitted from this product. (Risk group 3)
- Christie products must be installed and serviced by Christie qualified technicians.
- Do not operate the product without all of its covers in place.
- Always install safety straps when the frame and projector are installed overhead.
- Observe load ratings and applicable local safety codes.
- When installing the projector in portrait mode, the rigging device must have a sufficient load rating, as identified in this manual.
- Do not stack more than two projectors in landscape orientation.
- This product must be installed within a restricted access location not accessible by the general public.
- Install the product so users and the audience cannot enter the restricted area at eye level.
- Only personnel who are trained on the precautions for the restricted access location can be granted entry to the area.
- Only Christie qualified technicians are permitted to open product enclosures.



Caution! If not avoided, the following could result in minor or moderate injury.

- ELECTRICAL and BURN HAZARD! Use caution when accessing internal components.
- Only Christie qualified technicians are authorized to use the tools provided in the toolbox.

AC power precautions

Read all safety and warning guidelines before connecting to AC power.



Warning! If not avoided, the following could result in death or serious injury.

- SHOCK HAZARD! Only use the AC power cord provided with the product or recommended by Christie.
- FIRE AND SHOCK HAZARD! Do not attempt operation unless the power cord, power socket, and power plug meet the appropriate local rating standards.
- SHOCK HAZARD! Do not attempt operation if the AC supply is not within the specified voltage and current, as specified on the license label.
- SHOCK HAZARD! The AC power cord must be inserted into an outlet with grounding.
- SHOCK HAZARD! Disconnect the product from AC before installing, moving, servicing, cleaning, removing components, or opening any enclosure.
- Install the product near an easily accessible AC receptacle.
- High leakage current. Earth or ground connection essential before connecting power.



Caution! If not avoided, the following could result in minor or moderate injury.

- FIRE HAZARD! Do not use a power cord, harness, or cable that appears damaged.
- FIRE OR SHOCK HAZARD! Do not overload power outlets and extension cords.
- SHOCK HAZARD! Power supply uses double pole/neutral fusing.

Laser safety precautions

Read all safety and warning guidelines before operating the projector laser.



Warning! If not avoided, the following could result in death or serious injury.

- Possible hazardous optical radiation emitted from this product. (Risk group 3)
- Only Christie qualified technicians who are knowledgeable about the hazards associated with laser use, high-voltage, and high temperatures generated by the product are authorized to assemble, install, and service the Christie Laser Projection System.
- Do not look directly into the lens when the light source is on. The extremely high brightness can cause permanent eye damage.
- Do not operate the product without all of its covers in place.

Light intensity hazard distance

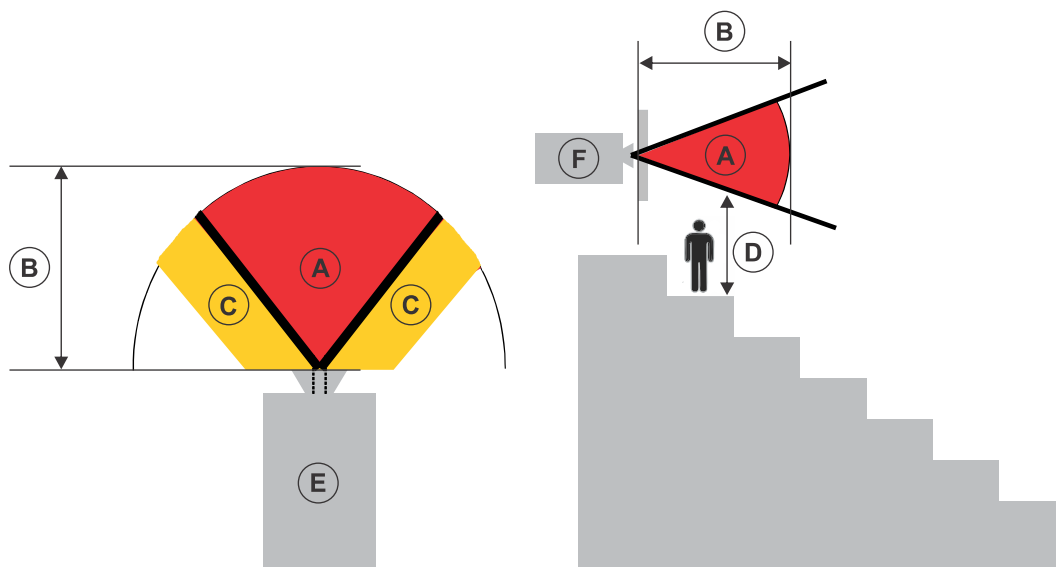
This projector has been classified as Risk Group 3 as per the IEC 62471-5 standard due to possible hazardous optical and thermal radiation being emitted.



Warning! If not avoided, the following could result in serious injury.

- PERMANENT/TEMPORARY BLINDNESS HAZARD! No direct exposure to the beam must be permitted. Class 1 Laser Product - Risk Group 3 according to IEC 60825-1:2014 and IEC 62471-5:2015.
- PERMANENT/TEMPORARY BLINDNESS HAZARD! Operators must control access to the beam within the hazard distance or install the product at the height that prevents exposure of spectators' eyes within the hazard distance. The hazard zone must be no lower than 3.0 meters (9.8 feet) above the floor and the horizontal clearance to the hazard zone must be a minimum 2.5 meters (8.2 feet).
- EXTREME BRIGHTNESS! Do not place reflective objects in the product light path.

The following show the zones for ocular and skin hazard distances.



- A—Hazard zone. The region of space where the projection light from the projector is above emission limits for Risk Group 2. The light intensity may cause eye damage after a momentary

or brief exposure (before a person can avert their eyes away from the light source). The light may cause skin burns to occur.

- B—Hazard distance. Operators must control access to the beam within the hazard distance or install the product preventing potential exposure of the spectators' eyes from being in the hazard distance.
- C—No access zone. Horizontal clearance of the no access zone must be a minimum of 2.5 meters (8.2 feet).
- D—Vertical distance to hazard zone. The hazard zone must be no lower than 3.0 meters (9.8 feet) above the floor.

If the vertical distance to hazard zone requirement (Zone D) is satisfied, the horizontal clearance distance (Zone C) is not needed.

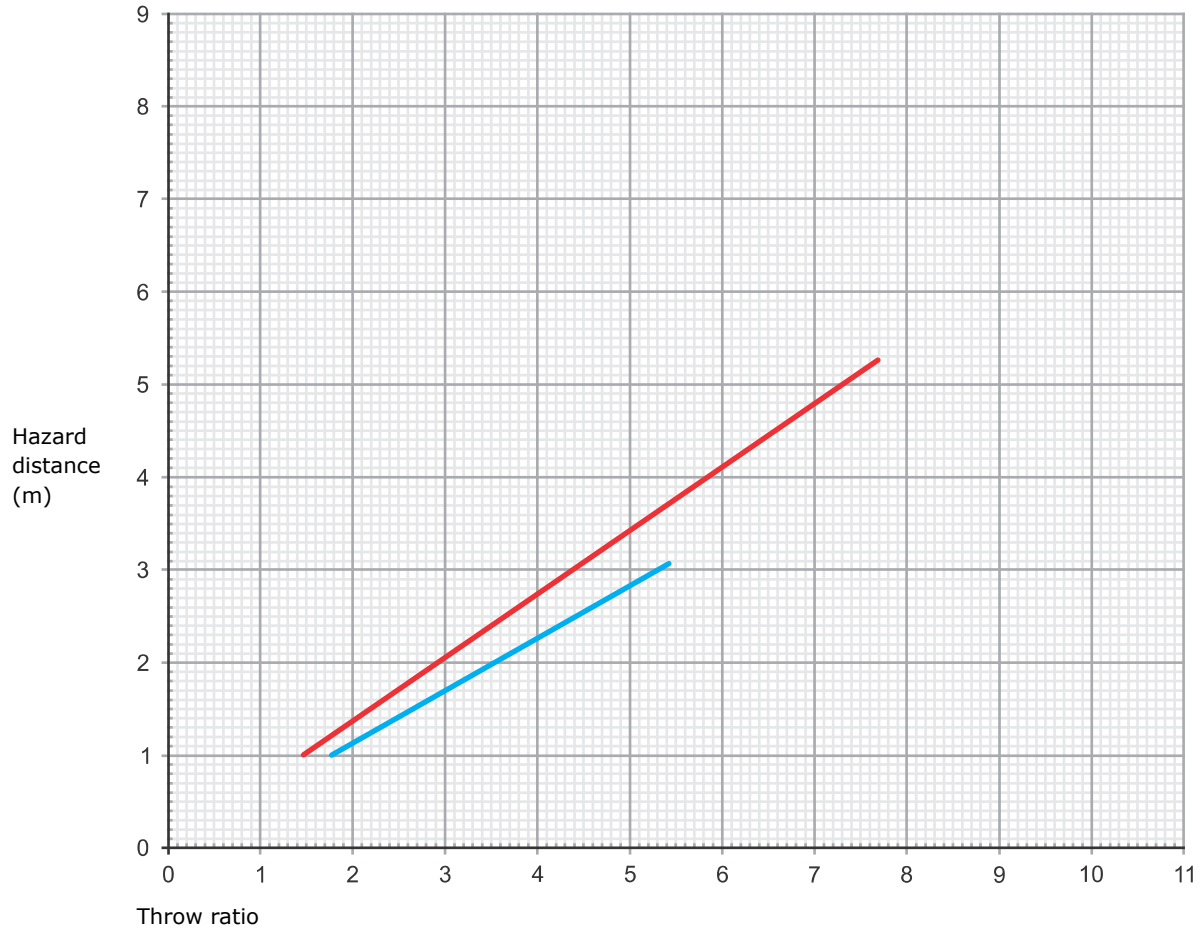
- E—Represents the top view of the projector.
- F—Represents the side view of the projector.

The following table lists the hazard distance for the Christie projector lens with the zoom adjusted to its most hazardous position.

Christie Sapphire 4K40-RGBH 2D at 110V (limited power mode) configuration:

Projection lens	Part number	Hazard distance (m)	Category
Fixed high brightness			
0.38:1 fixed	144-136101-XX	N/A	RG2
0.72:1 fixed	144-110103-XX		
0.9:1 fixed	144-111014-XX		
Zoom high brightness			
1.13-1.31:1 zoom (Discontinued)	144-103105-XX	N/A	RG2
1.13-1.66:1 zoom	144-129103-XX	See hazard distance graph below	RG3
1.31-1.63:1 zoom	144-104106-XX		
1.45-2.17:1 zoom	144-130105-XX		
1.63-2.17:1 zoom (Discontinued)	144-105107-XX		
1.95-3.26:1 zoom	144-131106-XX		
1.99-2.71:1 zoom	144-106108-XX		
2.71-3.89:1 zoom	144-107109-XX		
3.89-5.43:1 zoom	144-108100-XX		
4.98-7.69:1 zoom	144-109101-XX		
Fixed ultra high contrast			
0.72:1 fixed	163-116109-XX	N/A	RG2
0.9:1 fixed	163-117100-XX		
Zoom ultra high contrast			

Projection lens	Part number	Hazard distance (m)	Category
1.13-1.66:1 zoom	163-118101-XX	N/A	RG2
1.45-2.17:1 zoom	163-119102-XX	See hazard distance graph below	RG3
1.95-3.26:1 zoom	163-120103-XX		
2.71-3.89:1 zoom	163-121105-XX		
3.89-5.43:1 zoom	163-122106-XX		

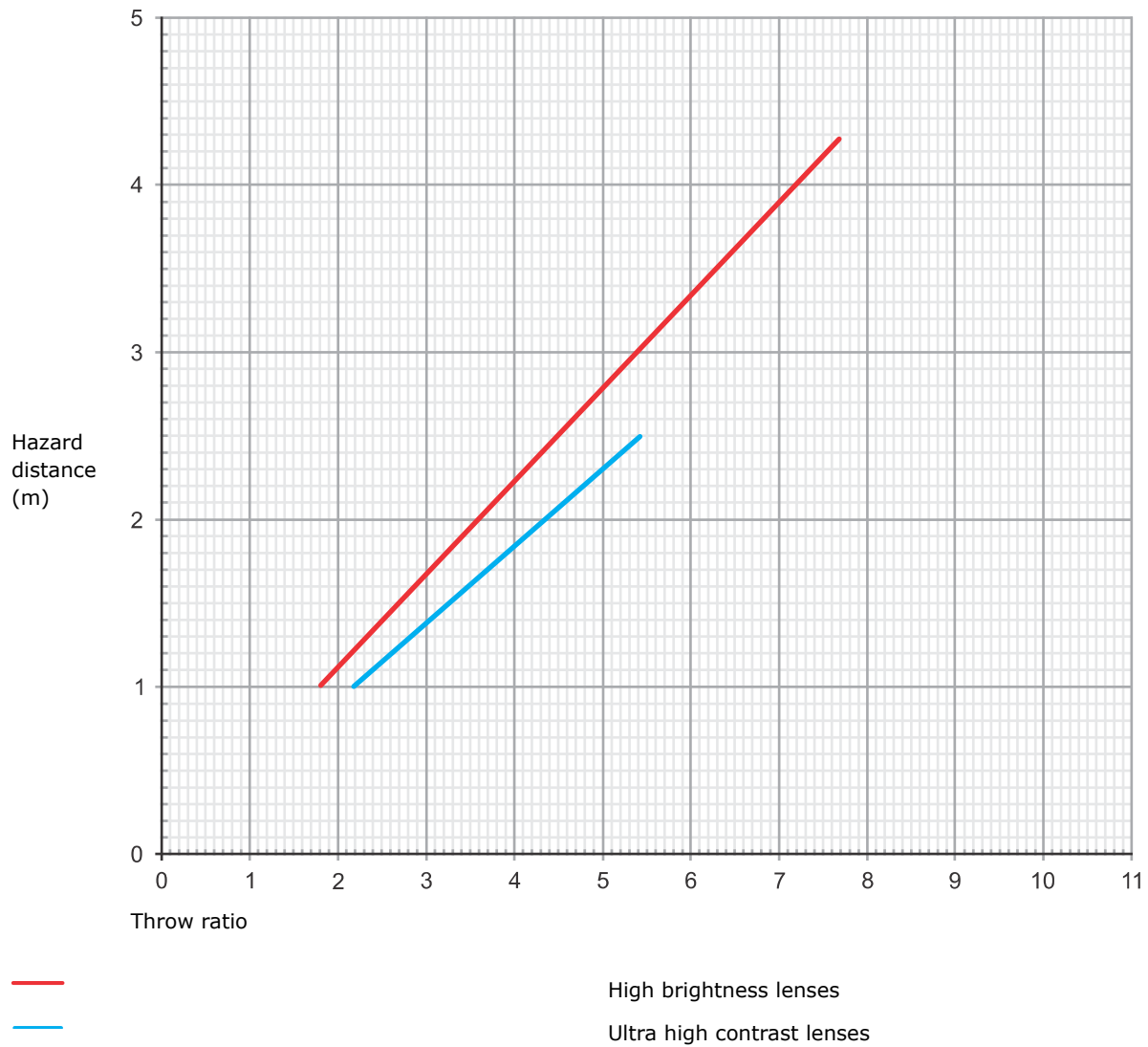


- High brightness lenses
- Ultra high contrast lenses

Christie Sapphire 4K40-RGBH 3D right eye or left eye at 110V (limited power mode) configuration :

Projection lens	Part number	Hazard distance (m)	Category
Fixed high brightness			

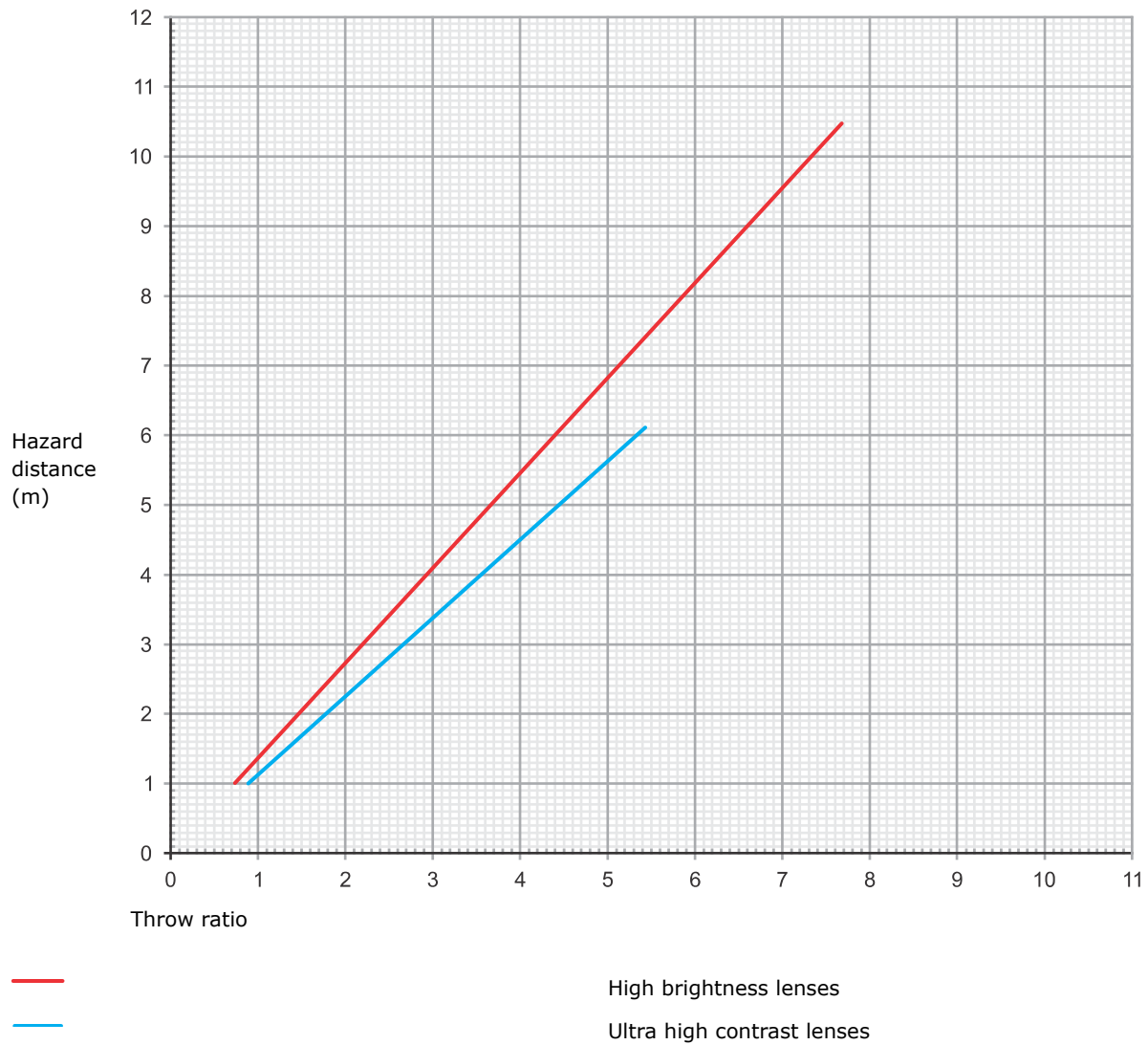
Projection lens	Part number	Hazard distance (m)	Category
0.38:1 fixed	144-136101-XX	N/A	RG2
0.72:1 fixed	144-110103-XX		
0.9:1 fixed	144-111014-XX		
Zoom high brightness			
1.13-1.31:1 zoom (Discontinued)	144-103105-XX	N/A	RG2
1.13-1.66:1 zoom	144-129103-XX		
1.31-1.63:1 zoom	144-104106-XX		
1.45-2.17:1 zoom	144-130105-XX	See hazard distance graph below	RG3
1.63-2.17:1 zoom (Discontinued)	144-105107-XX		
1.95-3.26:1 zoom	144-131106-XX		
1.99-2.71:1 zoom	144-106108-XX		
2.71-3.89:1 zoom	144-107109-XX		
3.89-5.43:1 zoom	144-108100-XX		
4.98-7.69:1 zoom	144-109101-XX		
Fixed ultra high contrast			
0.72:1 fixed	163-116109-XX	N/A	RG2
0.9:1 fixed	163-117100-XX		
Zoom ultra high contrast			
1.13-1.66:1 zoom	163-118101-XX	N/A	RG2
1.45-2.17:1 zoom	163-119102-XX		
1.95-3.26:1 zoom	163-120103-XX	See hazard distance graph below	RG3
2.71-3.89:1 zoom	163-121105-XX		
3.89-5.43:1 zoom	163-122106-XX		



Christie Sapphire 4K40-RGBH 2D YNF at 220 VAC (full power mode, highest brightness configuration):

Projection lens	Part number	Hazard distance (m)	Category	Notes
Fixed high brightness				
0.38:1 fixed	144-136101-XX	N/A	RG2	—
0.72:1 fixed	144-110103-XX			—
0.9:1 fixed	144-111014-XX	See hazard distance graph below	RG3	—
Zoom high brightness				

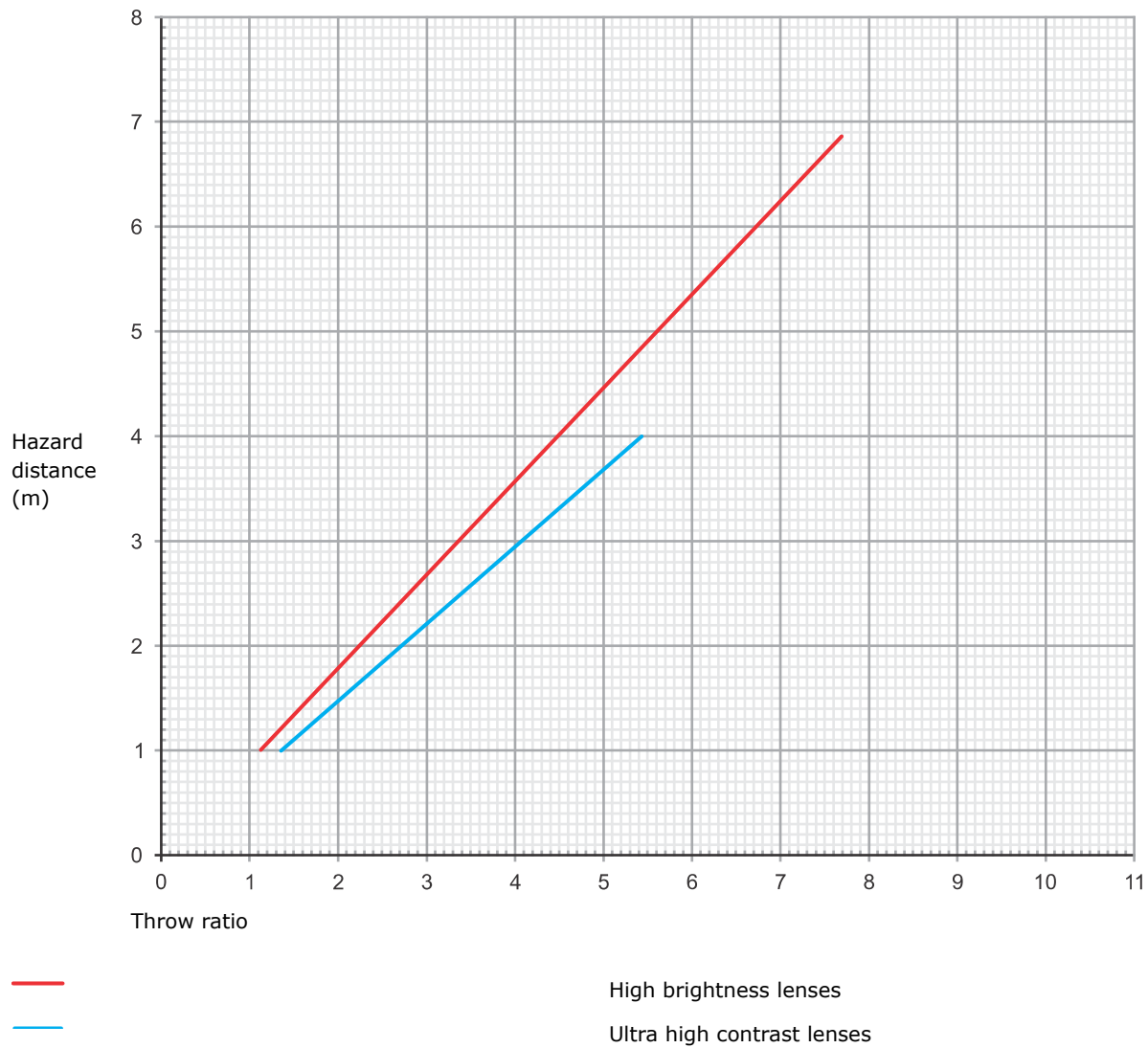
Projection lens	Part number	Hazard distance (m)	Category	Notes
1.13-1.31:1 zoom (Discontinued)	144-103105-XX	See hazard distance graph below	RG3	—
1.13-1.66:1 zoom	144-129103-XX			—
1.31-1.63:1 zoom	144-104106-XX			—
1.45-2.17:1 zoom	144-130105-XX			—
1.63-2.17:1 zoom (Discontinued)	144-105107-XX			—
1.95-3.26:1 zoom	144-131106-XX			—
1.99-2.71:1 zoom	144-106108-XX			—
2.71-3.89:1 zoom	144-107109-XX			—
3.89-5.43:1 zoom	144-108100-XX			—
4.98-7.69:1 zoom	144-109101-XX			Requires a 185 mm lens hood extension (P/N: 163-168106-XX) to use with this product.
Fixed ultra high contrast				
0.72:1 fixed	163-116109-XX	N/A	RG2	—
0.9:1 fixed	163-117100-XX	See hazard distance graph below	RG3	—
Zoom ultra high contrast				
1.13-1.66:1 zoom	163-118101-XX	See hazard distance graph below	RG3	—
1.45-2.17:1 zoom	163-119102-XX			—
1.95-3.26:1 zoom	163-120103-XX			—
2.71-3.89:1 zoom	163-121105-XX			—
3.89-5.43:1 zoom	163-122106-XX			—



Christie Sapphire 4K40-RGBH 3D right eye or left eye configuration at 220 VAC (full power mode):

Projection lens	Part number	Hazard distance (m)	Category
Fixed high brightness			
0.38:1 fixed	144-136101-XX	N/A	RG2
0.72:1 fixed	144-110103-XX		
0.9:1 fixed	144-111014-XX		
Zoom high brightness			
1.13-1.31:1 zoom (Discontinued)	144-103105-XX	See hazard distance graph below	RG3

Projection lens	Part number	Hazard distance (m)	Category
1.13-1.66:1 zoom	144-129103-XX		
1.31-1.63:1 zoom	144-104106-XX		
1.45-2.17:1 zoom	144-130105-XX		
1.63-2.17:1 zoom (Discontinued)	144-105107-XX		
1.95-3.26:1 zoom	144-131106-XX		
1.99-2.71:1 zoom	144-106108-XX		
2.71-3.89:1 zoom	144-107109-XX		
3.89-5.43:1 zoom	144-108100-XX		
4.98-7.69:1 zoom	144-109101-XX		
Fixed ultra high contrast			
0.72:1 fixed	163-116109-XX	N/A	RG2
0.9:1 fixed	163-117100-XX		
Zoom ultra high contrast			
1.13-1.66:1 zoom	163-118101-XX	See hazard distance graph below	RG3
1.45-2.17:1 zoom	163-119102-XX		
1.95-3.26:1 zoom	163-120103-XX		
2.71-3.89:1 zoom	163-121105-XX		
3.89-5.43:1 zoom	163-122106-XX		



Stacking projectors

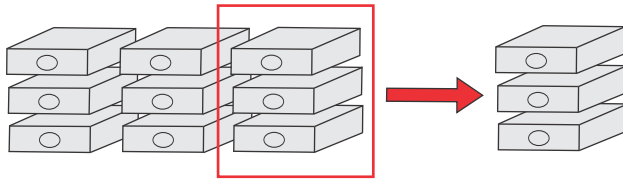
When two or more projectors are stacked (projecting on the same surface), due to the overlap of the images, a system hazard distance may need to be applied instead of a single projector hazard distance. When projectors are being stacked in two-dimension (for example 2x2 or 3x3), only projectors stacked along one axis (horizontal or vertical) should be considered, taking the stacking direction with the shortest lens distance (center-to-center distance) to reduce to separate Nx1 systems.

The following information is required:

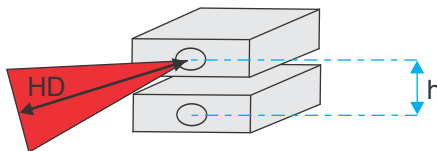
HD	Hazard distance of a single projector with the given lens (center-to-center distance)
h	Distance between two adjacent projector lenses in the stack For three or more projectors, if the distance between the adjacent lenses is not the same, take the shortest distance.

N	Number of projectors (three or more)
---	--------------------------------------

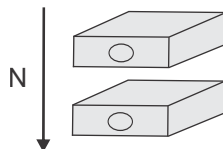
1. For 2D stacks, use the 1D stack with the shortest lens distance.



2. Determine the hazard distance (HD) of a single projector with a given lens and the distance (h) between the adjacent lenses.



3. Determine the hazard distance for stacking two projectors:
 - If the single projector hazard distance is $HD \geq 9 \times h$, implement $1.15 \times HD$ for the hazard distance.
 - If the single projector hazard distance is $HD < 9 \times h$, keep the original hazard distance and risk zone as per the projector.



Where N is the number of projectors.

4. Determine the hazard distance for stacking three or more projectors along the same axis:
 - If the single projector hazard distance is $HD \geq 12 \times h$, implement $(N/2 + 0.15) \times HD$ for the system hazard distance.
 - If the single projector hazard distance is $HD < 12 \times h$, keep the original hazard distance and risk zone as per the projector.
 - update
 - If the single projector hazard distance is $9 \times h \leq HD < 12 \times h$, implement the hazard distance for two projectors.

For Installations in the United States

The following must be in place for laser-illuminated projector installations in the United States:

- Any human access to the hazard zone, if applicable, must be restricted by barriers to enforce the no access zone.
- Permanent show installations containing Risk Group 3 laser-illuminated projectors must meet the following conditions:
 - Installed by Christie or by Christie-authorized and trained installers.
Refer to the EXTERNAL - Laser safety awareness training (Course code: CS-ELSA-01) on the <http://www.christieuniversity.com> site.



- Performed according to instructions provided by Christie.
- Make sure the projection system is securely mounted or immobilized to prevent unintended movement or misalignment of the projections.
- A copy of the FDA variance approval letter must be with the operator or other responsible individual.
- Temporary show installations containing Risk Group 3 laser-illuminated projectors may be installed by Christie or sold or leased only to valid laser light show variance holders (laser light show manufacturers) for image projection applications. Such manufacturers may currently hold a valid variance for production of Class IIIb and IV laser light shows and/or for incorporation of the Risk Group 3 laser-illuminated projectors into their shows. This requirement applies also to dealers and distributors of these laser-illuminated projectors.
- For temporary installations, the FDA variance holder must maintain complete records of all show itineraries with dates, locations, operator name, and contact information clearly and completely identified.
- The Christie Laser Projection System Installation Checklist must be fully completed after the installation and sent to *lasercompliance@christiedigital.com*. A copy can remain on-site. This checklist can be found as a separate document in the accessory box with the manual.
- Certain US states have additional laser regulatory requirements. Contact *lasercompliance@christiedigital.com* for additional regulatory requirements.

Product labels

Learn about the labels that may be used on the product. Labels on your product may be yellow or black and white.

General hazards

Hazard warnings also apply to accessories once they are installed in a Christie product connected to power.

Fire and Shock Hazard	
	<p>To prevent fire or shock hazards, do not expose this product to rain or moisture.</p> <p>Do not alter the power plug, overload the power outlet, or use it with extension cords.</p> <p>Do not remove the product enclosure.</p> <p>Only Christie qualified technicians are authorized to service the product.</p>
Electrical Hazard	
	<p>Risk of electric shock.</p> <p>Do not remove the product enclosure.</p> <p>Only Christie qualified technicians are authorized to service the product.</p>



Warning! If not avoided, the following could result in death or serious injury.



Electric shock hazard. To avoid personal injury, disconnect all power sources before performing maintenance or service.



Electrocution hazard. To avoid personal injury, always disconnect all power sources before performing maintenance or service procedures.



Laser hazard. To avoid personal injury, avoid eye or skin exposure to direct or scattered radiation.



Optical radiation hazard. To avoid personal injury, never look directly at the light source.



Caution! If not avoided, the following could result in minor or moderate injury.



Hot surface hazard. To avoid personal injury, allow the product to cool for the recommended cool down time before touching or handling for maintenance or service.



Moving parts hazard. To avoid personal injury, keep hands clear and loose clothing tied back.



Moving fan blades. To avoid personal injury, keep hands clear and loose clothing tied back. Always disconnect all power sources before performing maintenance or service procedures.



Notice. If not avoided, the following could result in property damage.



General hazard.



Not for household use.

Mandatory action



Caution! If not avoided, the following could result in minor or moderate injury.



SHOCK HAZARD! Disconnect all power sources before performing maintenance or service procedures.



Consult the service manual.

Electrical labels

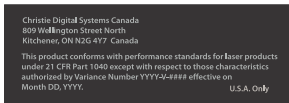


Indicates the presence of a protective earth ground.



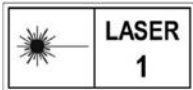
Indicates the presence of an earth ground.

Laser labels



FDA laser variance (US projectors only)

This product is in conformity with performance standards for laser products under 21 CFR 1040, except with respect to those characteristics authorized by Variance Number 2016-V-1838 effective on December 4, 2018.



CLASS 1 LASER PRODUCT IEC 60825-1

Wavelengths: TBD - TBD nm



Indicates a light hazard. Do not look directly into the lens. The extreme high brightness can cause permanent eye damage. Class 1 Laser Product - Risk Group 3 according to IEC 60825-1: 2014 and IEC 62471-5:2015

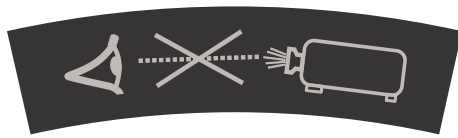


Indicates Class 4 laser radiation when open. Avoid eye or skin exposure to direct or scattered radiation.



Indicates Class 4 laser radiation when open. Avoid eye or skin exposure to direct or scattered radiation.

Additional safety hazards



Do not look directly into the lens. The extremely high brightness can cause permanent eye damage.



Indicates high leakage current. Earth connection essential before connecting the power supply.



Indicates the lens must be supported when locking it.

Projector overview

Learn about the Christie Sapphire 4K40-RGBH projector.

Christie Sapphire 4K40-RGBH is a professional quality 3DLP® RGB and phosphor laser projector. The high-brightness Christie Sapphire 4K40-RGBH is designed to meet the special demands found in large venues, live events, and high-usage environments. With reliable Christie RealLaser™ and phosphor illumination integrated in a rugged chassis and ultra-fast processing of Christie TruLife+™ electronics, the Christie Sapphire 4K40-RGBH is the go-to solution for demanding, large venue events and applications.

Contact your dealer

Record the information about your projector and keep this information with your records to assist with the servicing of your projector. If you encounter a problem with your Christie projector, contact your dealer.

Purchase record	
Dealer:	
Dealer or Christie Sales/Service contact phone number:	
Projector serial number:	
The serial number can be found on the license label located on the display panel	
Purchase date:	
Installation date:	
Ethernet settings	
Default gateway:	
Projector IP address:	
Subnet mask:	

Key features

Understand the important features of the projector.

- Long lasting, reliable Christie RealLaser™ RGB and phosphor laser illumination
- Compact form with direct-coupled laser source integrated into the projector chassis
- LiteLOC™ feature for constant image brightness and color
- Easily adjusted electronic convergence using the remote control to maintain a perfect image
- Field adjustable RGB convergence, boresight, and optical path
- Omnidirectional operation for unrestricted design and installation flexibility
- Christie TruLife+™ electronics for ultra-high resolution, high frame rate video up to 120 frames per second
- Simple integration and connectivity
- Compatible with Christie Mystique™, Guardian, and Twist™
- Compatible with existing suite of 2K/4K fixed and zoom lenses
- Full-color LCD display to provide information at-a-glance
- Integrated keypad control interface
- Dynamic fan control for quiet operation

List of components

Verify all components were received with the projector.

- Power cord
- IR remote keypad
- Tools provided in product box

Accessories

Learn about the accessories (sold separately) available for the projector.



If using a shorter throw lens and switching between dark and light content, focus drift can occur.

Lenses

Projection lens	Part number	Notes
Fixed high brightness		
0.38:1 fixed	144-136101-XX	—
0.72:1 fixed	144-110103-XX	—
0.9:1 fixed	144-111014-XX	—
Zoom high brightness		

Projection lens	Part number	Notes
1.13-1.31:1 zoom (Discontinued)	144-103105-XX	—
1.13-1.66:1 zoom	144-129103-XX	—
1.31-1.63:1 zoom	144-104106-XX	—
1.45-2.17:1 zoom	144-130105-XX	—
1.63-2.17:1 zoom (Discontinued)	144-105107-XX	—
1.95-3.26:1 zoom	144-131106-XX	—
1.99-2.71:1 zoom	144-106108-XX	—
2.71-3.89:1 zoom	144-107109-XX	—
3.89-5.43:1 zoom	144-108100-XX	—
4.98-7.69:1 zoom	144-109101-XX	Requires a 185 mm lens hood extension (P/N: 163-168106-XX) to use with this product*.
Fixed ultra high contrast		
0.72:1 fixed	163-116109-XX	—
0.9:1 fixed	163-117100-XX	—
Zoom ultra high contrast		
1.13-1.66:1 zoom	163-118101-XX	—
1.45-2.17:1 zoom	163-119102-XX	—
1.95-3.26:1 zoom	163-120103-XX	—
2.71-3.89:1 zoom	163-121105-XX	—
3.89-5.43:1 zoom	163-122106-XX	—

* Only required when the projector is operated with 2D YNF at 200-240 VAC.

Filters and coolant

Description	Part number
Light engine air filter	003-007274-XX
Coolant Propylene Glycol 740 (Koolance LIQ-740PR)	003-005179-XX

Line cords

Description	Part number
250 V/32 A IEC309 3.0 m cord—Australia	108-434102-XX
250 V/30 A IEC309 3.0 m cord—China	108-396109-XX
250 V/32 A IEC309 3.0 m cord—Europe	108-429106-XX
250 V/30 A IEC309 3.0 m cord—Japan	108-398101-XX

Description	Part number
250 V/30 A IEC309 3.0 m cord—Korean	108-397100-XX
250 V/30 A IEC309 3.0 m cord—North America	108-395108-XX
120 V/15 A IEC309 2.5 m cord—North America	108-601108-XX

Other accessories

Description	Part number	Notes
Software accessories		
Christie Mystique™	900-100285-XX 900-100286-XX 900-100274-XX 900-100275-XX	Mystique version 2.6.0 or higher is required for the electronic convergence feature.
Christie Twist™ Premium	156-002103-XX 156-102104-XX	Twist version 2.9 or higher is required for the electronic convergence feature.
Christie Twist™ Pro	156-001102-XX 156-101103-XX	
Christie Guardian	156-134109-XX 156-135100-XX	—
Hardware accessories		
IR remote	003-120918-XX	—
Driver set	003-007010-XX	—
576 mm rigging handles	163-162100-XX	—
774 mm rigging handles	163-125109-XX	—
Rigging Couplers kit	163-128102-XX	—
Zoom Lens Conversion kit	003-005538-XX	—
Fixed Lens Conversion kit	003-005537-XX	—
Left-eye 3D 66 mm filter	177-101103-XX	—
Right-eye 3D 66 mm filter	177-102104-XX	—
2D aperture 66 mm filter	177-104106-XX	—
Side Filter kit	163-195106-XX	—

Interconnection and line drawings

The interconnect diagram illustrates the path of electrical connections between modules. Manufacturer’s part numbers are included. Part numbers are subject to change.

Line drawings provide projector dimensions and sizes for installation.

To download the latest interconnect diagram or line drawings:

1. Go to www.christiedigital.com.
2. Sign into the Partner Portal.
3. Navigate to your projector model.
4. Switch to the **Downloads** tab and expand **Line drawings** section.

Technical support

Technical support for Christie Enterprise products is available at:

- North and South America: +1-800-221-8025 or Support.Americas@christiedigital.com
- Europe, Middle East, and Africa: +44 (0) 1189 778111 or Support.EMEA@christiedigital.com
- Asia Pacific (support.apac@christiedigital.com):
 - Australia: +61 (0)7 3624 4888 or tech-Australia@christiedigital.com
 - China: +86 10 6561 0240 or tech-supportChina@christiedigital.com
 - India: +91 (80) 6708 9999 or tech-India@christiedigital.com
 - Japan: 81-3-3599-7481
 - Singapore: +65 6877-8737 or tech-Singapore@christiedigital.com
 - South Korea: +82 2 702 1601 or tech-Korea@christiedigital.com

Installation and setup

Learn how to install, connect, and optimize the projector display.

Site requirements

To safely install and operate the Christie Sapphire 4K40-RGBH projectors, the installation location must meet these minimum requirements.

Physical operating environment

- Ambient temperature (operating) 5 to 40°C (41 to 104°F) up to 457.2 meters (1,500 feet)
- Humidity (non-condensing) 10% to 80%
- Operating altitude 0 to 3000 meters (0 to 9843 feet)

Non-operating environment (in shipping packaging)

- Ambient temperature (operating) -25 to 70°C (-13 to 158°F)
- Humidity (non-condensing) 10% to 80%

Product ventilation

Sufficient ventilation is required around the projector to regulate the temperature of the internal laser module.

The installation site must provide an airflow 450 cubic feet per minute (CFM) at 1 to 1000 meters (3.3 to 3280.8 feet) elevation, and must accommodate a heat load of 3000 W.



For each additional 1000 meters (3,280.8 feet) above sea level, increase the airflow (CFM) value by 15%. If the increased airflow requirements cannot be met by the building's HVAC system, the operating temperature range is restricted to 5 to 25°C (41 to 77°F) at a maximum altitude of 3000 meters (9,843 feet).

Power connection

Connect to AC power using the power cord provided with the projector.



This product is suitable for connection to an IT power distribution system.

Power requirements

Learn the power requirements for Christie Sapphire 4K40-RGBH.

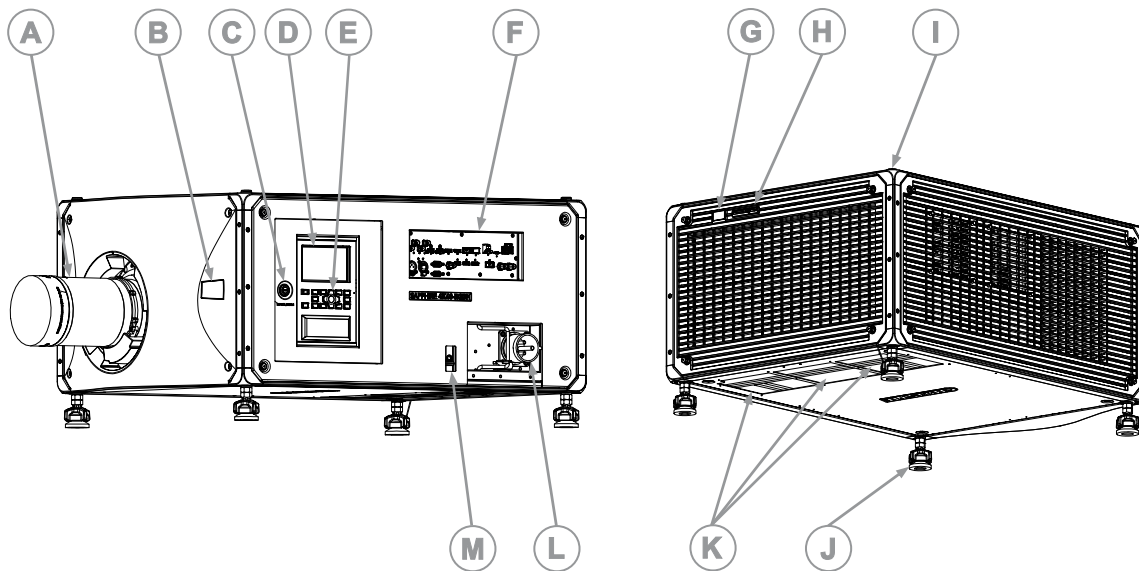
Parameter	Requirement
Rated voltage	100-120 VAC limited power mode 200-240 VAC full power mode
Rated current	12A maximum limited power mode 20A maximum full power mode
Line frequency	50/60 Hz
Maximum power draw	1200W limited power mode 4000W full power mode
Power connector	IEC-60309 30A inlet
Protective conductor current	12 mA

Projector components

Identify the main components of the projector.



The illustrations in this topic are for representation only and may not depict your projector model exactly.

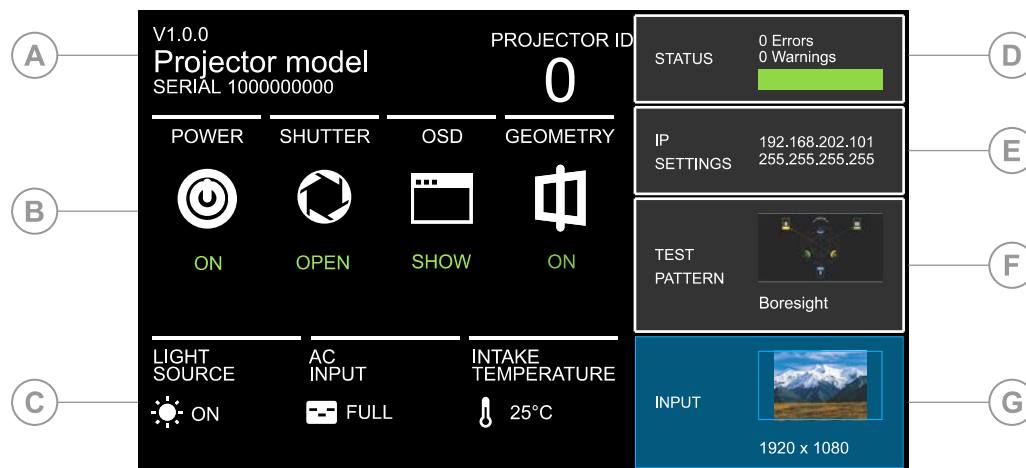


ID	Component	Description
A	Projection lens	A variety of lenses can be used with the projector. Available lenses are listed in the <i>Christie Sapphire 4K40-RGBH Service guide (P/N: 020-103980-XX)</i> .
B	Front IR	Receives transmissions from the IR remote.

ID	Component	Description
C	Service door	Provides access to the fold mirror, optical zoom/focus, and digital micromirror device (DMD) convergence adjustments as well as the tools for Christie qualified technicians.
D	Display panel	Displays the projector menus and status.
E	Keypad interface	Controls the projector.
F	Communication and input panel	Connects media sources to the Video Input panel.
G	Rear IR	Receives transmissions from the IR remote.
H	LED and shutter LED status indicator	Indicates power status and shutter status.
I	Mounting and rigging holes	M12 x 1.75 holes for projector feet installation and for mounting and rigging points. Four holes located on the top, and four located on the bottom.
J	Adjustable feet	Raise or lower these feet when positioning the projector. Make sure the projector is level on all sides and the displayed image appears rectangular without any keystone.
K	Bottom intake plates	Allows full airflow to the projector.
L	AC receptacle	Use this receptacle to plug in an appropriately rated line cord.
M	Power on/off switch	Switch to power the projector on or off.

Display panel components

Identify the main components of the display panel (also known as the home page).



ID	Component	Description
A	Projector Information	Provides information about the projector such as the projector name, serial number, software version, and projector ID.
B	Projector and Component Controls	Indicates the states of the projector and its components.

ID	Component	Description
C	Power and Temperature	Indicates the light source mode, power mode, and intake temperature.
D	Status	Contains information about the health of the projector including the number of warnings and errors. Provides access to the status system.
E	IP Settings	Displays the IP address and subnet values. Provides access to changing the IP settings.
F	Test Pattern	Displays the currently selected test pattern. If no test pattern is selected, Off is displayed. Provides access to the list of test patterns.
G	Input	Displays the signal for the currently selected input. Provides access to the list of input signals.

IR/wired remote keypad

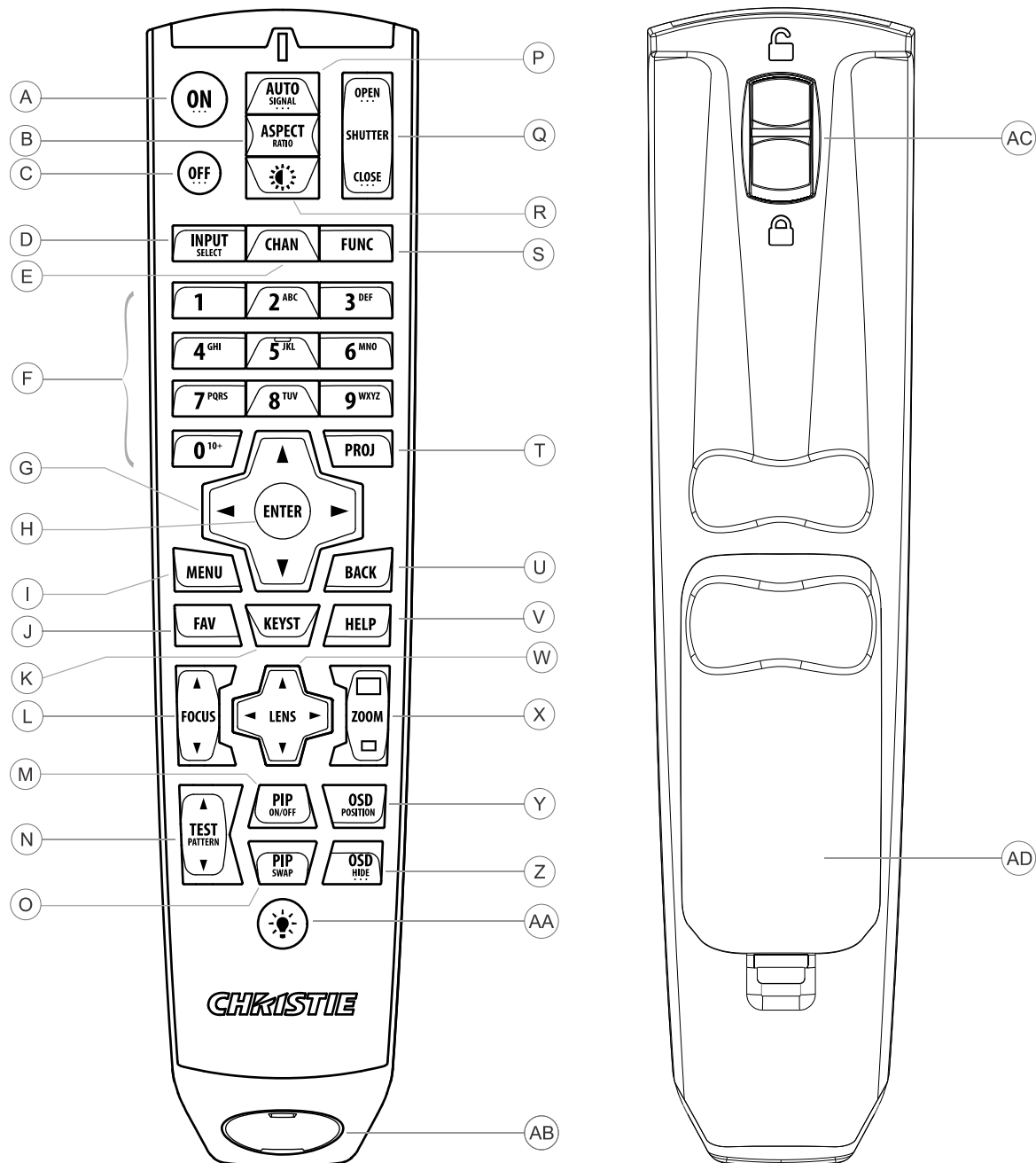
The IR/wired remote keypad controls the projector by way of either wireless communications from a battery-powered infrared (IR) transmitter or a wired interface.



Warning! If not avoided, the following could result in death or serious injury.

- EXPLOSION HAZARD! Replacement battery must be of the correct type.
- EXPLOSION HAZARD! Dispose of the battery according to local area regulations.

To use the IR remote, direct the keypad toward the projector’s front or rear IR sensor and select a function key. One of the two IR sensors on the projector detect the signal and relay the commands for internal processing. The remote also offers a connector for wired connections to the projector.



Button	Description
A	Powers on the projector light source.
B	Opens the aspect ratio dialog.
C	Turns off the light source and puts the projector in standby.
D	Selects an active or inactive input on any slot.
E	Not supported.

Button	Description
F	Enter a number, such as menu, item index or value.
G	Use the arrows to navigate within a menu or to adjust settings.
H	Selects a highlighted menu item and changes or accepts a value.
I	Toggles the menus on/off.
J	Not supported.
K	Opens the keystone dialog.
L	Adjusts the lens focus.
M	Not supported.
N	Displays a test pattern.
O	Not supported.
P	Optimizes the image automatically.
Q	Opens or closes the shutter.
R	Not supported.
S	Initiates a custom action when a number is selected.
T	Selects a projector in multi-projector installations.
U	Returns to the previous menu level or exits menus if at the top level.
V	Displays context-sensitive help.
W	Use the arrows to adjust the lens offset.
X	Adjusts the lens zoom.
Y	Opens the on-screen display position menu.
Z	Shows or hides the on-screen display menus.
AA	Turns the remote backlight on.
AB	Male 3-pin XLR connector used for wired option.
AC	Locks/unlocks the keypad.
AD	Battery door—When replacing a battery, dispose of the used battery or batteries according to local area regulations.

Required tools

Make sure the following tools are available during the installation.

- 12 inch screwdrivers: Phillips #2 (magnetic) and flat
- 2.5 mm, 3 mm, and 5 mm hex drivers (provided with the projector)
- Adjustable wrench
- Step stool
- Powder-free N-DEX gloves

- Clean dry air (CDA)

Preparing the installation site

Make sure the installation area is ready for the components.

1. Clear the installation area.
2. Place each component near its installation location.

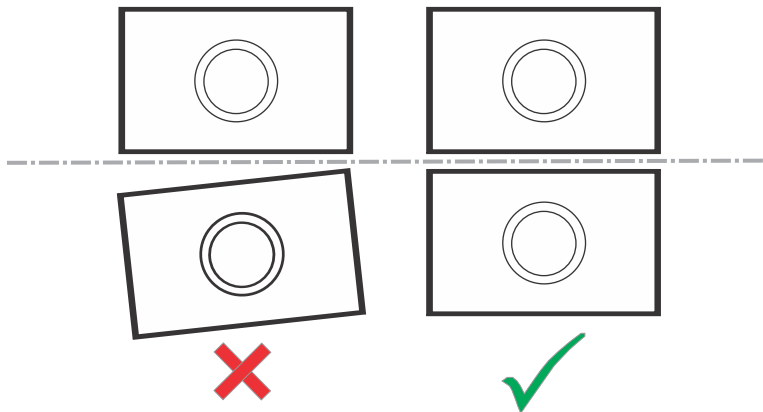
Lifting and positioning the projector

Safely lift and position the projector in the location where it will be used.



Warning! If not avoided, the following could result in death or serious injury.

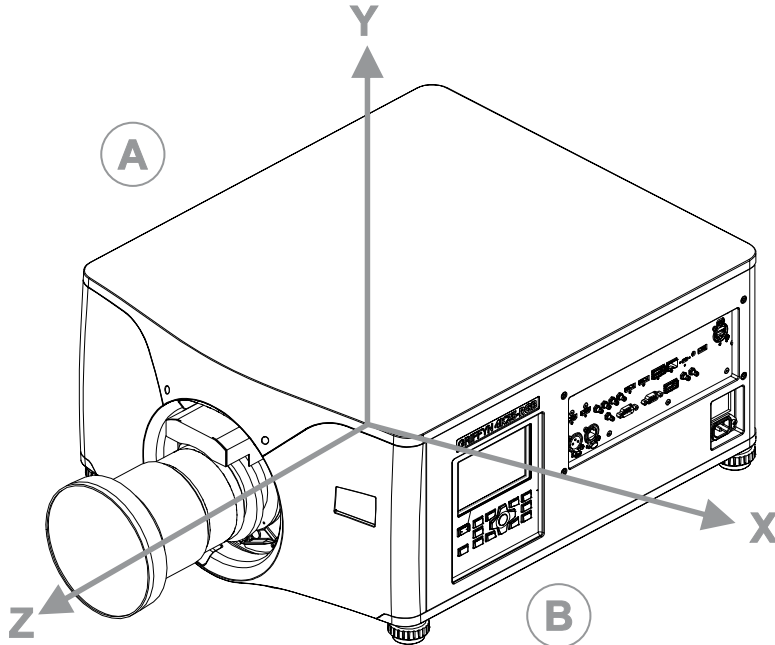
- Do not install or operate the projector in any position that does not meet the stated product specifications for alignment and orientation.
 - Do not stack more than two projectors in landscape orientation.
1. If stacking the projector, make sure the bottom projector is level by adjusting the roll of the lens axis to ensure the stability of the stack.



2. Position the projector so it is centered and parallel with the screen.
If space is limited, aim the projector slightly off-center and use lens offset to center the image on the screen.

Projector sides

While positioned behind the projector and facing towards the screen, the right side (A) of the projector is on the right and the left side (B) is on the left.

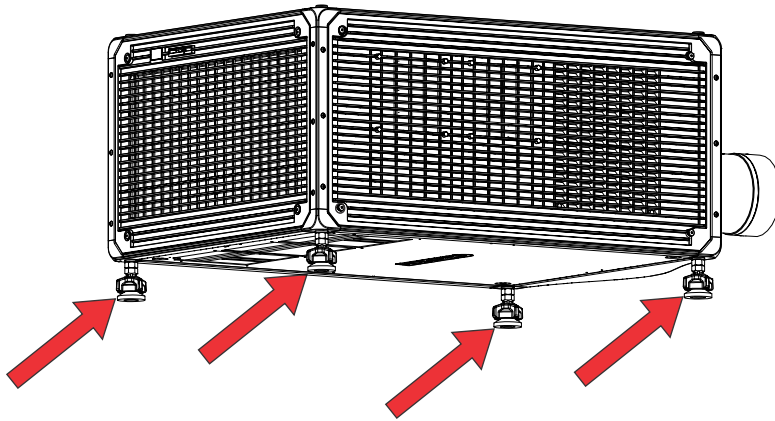


- Z-direction: projection axis originates at the center of the image plane
- X-direction: horizontal left/right with respect to the image plane
- Y-direction: vertical up/down with respect to the image plane

Leveling the projector

Use the projector feet to level the projector.

1. To adjust the vertical position of the projector, extend or retract the adjustable feet on the bottom of the projector using the adjustable knobs on the feet.
Christie recommends adjusting the feet from the side or rear of the projector and not the front to avoid exposure to the output light.



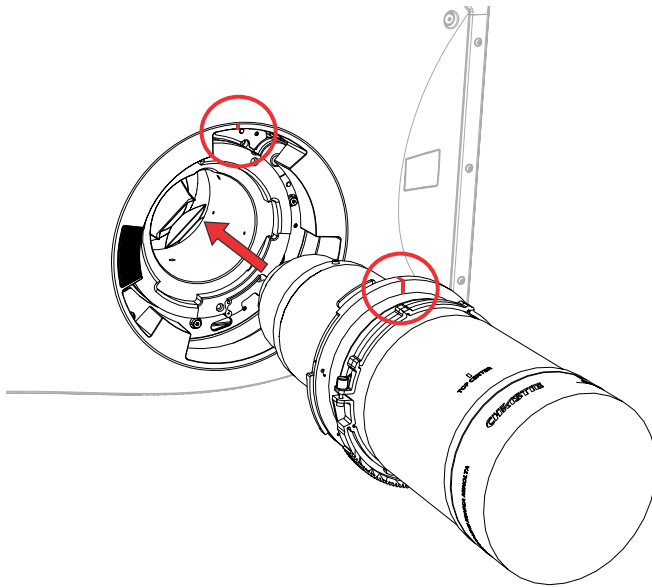
The projector feet are removable and can be moved to the top of the projector to run in an inverted orientation.

2. Once the required adjustment is made, using a wrench, tighten the lock nut against the bottom of the projector.

Installing the projector lens

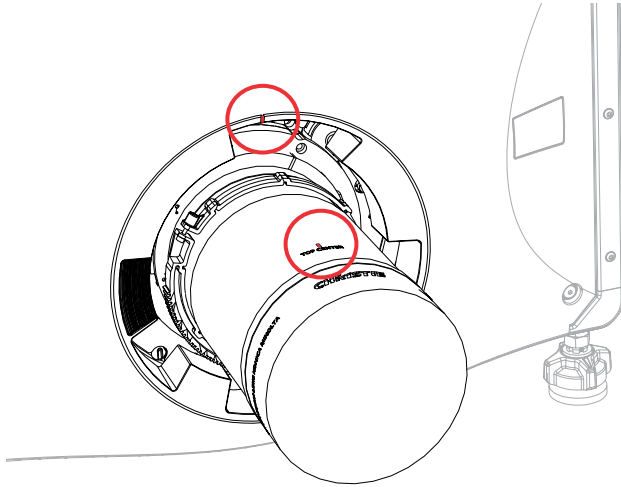
Only use lenses designed for Christie Sapphire 4K40-RGBH projectors. Installing a lens not designed for Christie Sapphire 4K40-RGBH, results in a warning that the lens is not present.

1. Turn off the lasers.
2. Remove the lens caps from the lens.
The packaging tape is required to make sure safe shipment of the projection lens to restrain the zoom ring from rotating during shipping.
3. Align the guides on the front cover and the lens marked by a red line.



4. Insert the lens into the projector and turn it clockwise until two clicks sound.
The first click indicates the safety lock mechanism has been engaged.

5. Continue to turn the lens clockwise until a second click sounds. The second click indicates the lens is fully locked in position. The top center label should face up and be aligned to the lens guide on the front cover.



6. After installing a new lens in the projector:
 - *Adjust boresight* (on page 50).
 - *Perform electronic convergence* (on page 60).

Calibrating the lens motor

Make sure the lens motor is calibrated before using the projector.

If the lens motors are not calibrated properly, implications may include:

- Incorrect reporting of the lens motor position.
- Inability to use the full range of the lens motors.
- Lens motors traveling outside of the pre-defined keep-out area.
- Damage to the projector.

Calibrate the lens motors when any of the following conditions are met:

- After a lens change.
- After the projector is moved and/or jostled.
- After any manual adjustment is made to the zoom or focus.

To calibrate the lens:

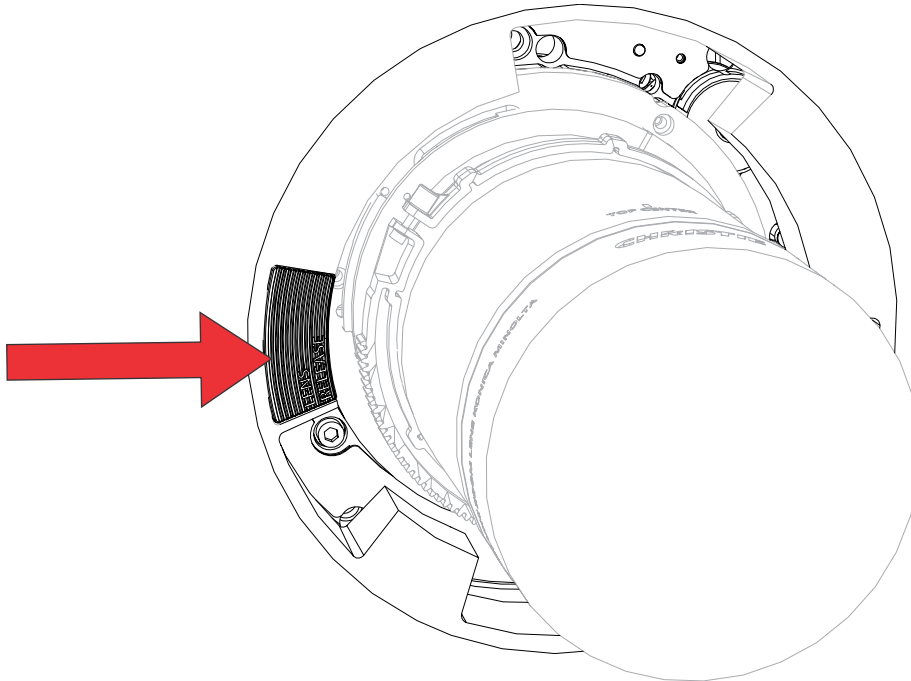
1. Select **MENU** > **Configuration** > **Lens Settings** > **Lens Calibration**.
2. Select **Enter**.

Removing the projection lens

Use the correct method of removing the lens.

1. Turn off the lasers.

2. Push in and hold the lens release button.



3. Turn the lens counterclockwise until the lens guides are aligned.
4. Slide the lens straight out of the projector.
If the lens does not slide out easily, reset the lens offset before removing the lens.
5. Attach the lens cap to avoid damage.



Warning! If not avoided, the following could result in death or serious injury.

- Once lens removal has begun, the safety retention features of the lens are defeated. To re-engage the safety lock mechanism, remove and re-insert the lens, or fully rotate the lens clockwise until a click sounds.
- Use packaging tape to ensure the safe shipment of the projection lens to restrain the zoom ring from rotating during shipping.

Installing the ultra short throw projector lens

Learn how to install the ultra short throw projection lens.

When using the ultra short throw lens and switching between dark and bright content, focus drift can occur. To help to mitigate this issue, Christie recommends reducing brightness and focusing the content on what you primarily want the projector to focus on, or creating different profiles for the dark and light content.



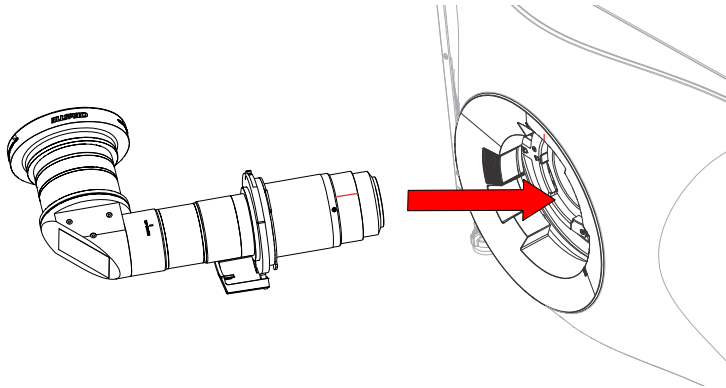
The illustrations in this document are for representation only and may not depict your model exactly.

1. Switch to the ultra short throw lens keep-out area.
 - a) Select **MENU > Configuration > Lens Settings**.
 - b) Select **Enable UST Lens (0.38:1)**.

c) To enable the ultra short throw lens keep-out area, select **Enter**.

Not switching to this keep-out area risks damaging the projector when the ultra short throw lens is installed.

2. Turn off the lasers.
3. Remove the lens caps from the lens.
4. Align both the guide on the front cover and the lens marked by a red line, and the insert plates on the lens.
5. Insert the lens into the projector and turn it clockwise until it is locked in place.
Make sure the lens is supported near the front element.

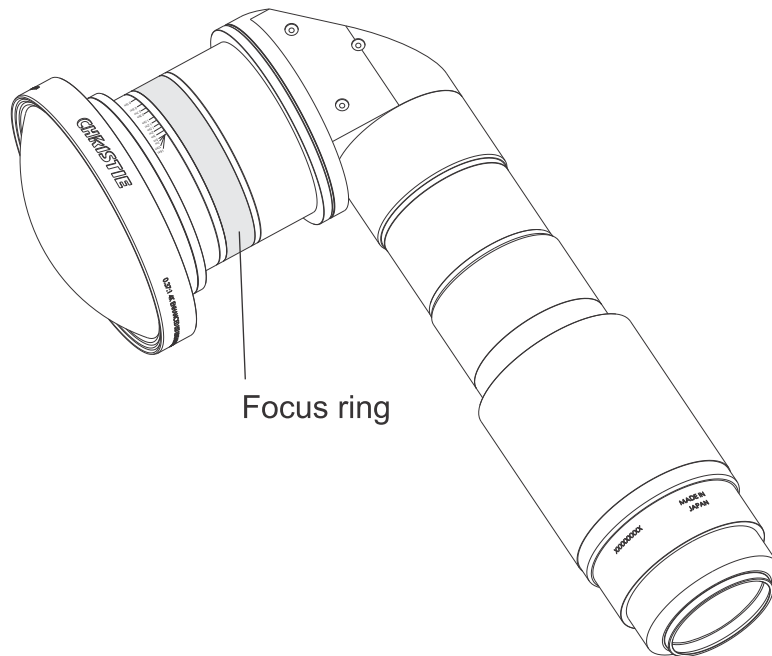


Aligning and focusing the image (ultra short throw lens)

After installing the lens, align and focus the image.

The method for performing the steps below may vary depending on projector model. For detailed information, refer to the user documentation for your product.

1. If required, power on the projector.
2. Perform a lens calibration.
3. To align the image, position the projector and adjust offsets.
4. Adjust boresight.
5. Adjust the center focus of the image by using the Focus feature on the projector.
6. Manually adjust the corner focus of the image using the focus ring on the lens.



7. To fine tune the focus, repeat steps 5 and 6 until optimum focus is achieved.

Installing an intelligent filter holder (IFH)

Follow these steps to install an intelligent filter holder (IFH), which can be either a color comb 3D or 2D aperture filter, in a Christie Sapphire 4K40-RGBH projector.



Warning! If not avoided, the following could result in death or serious injury.

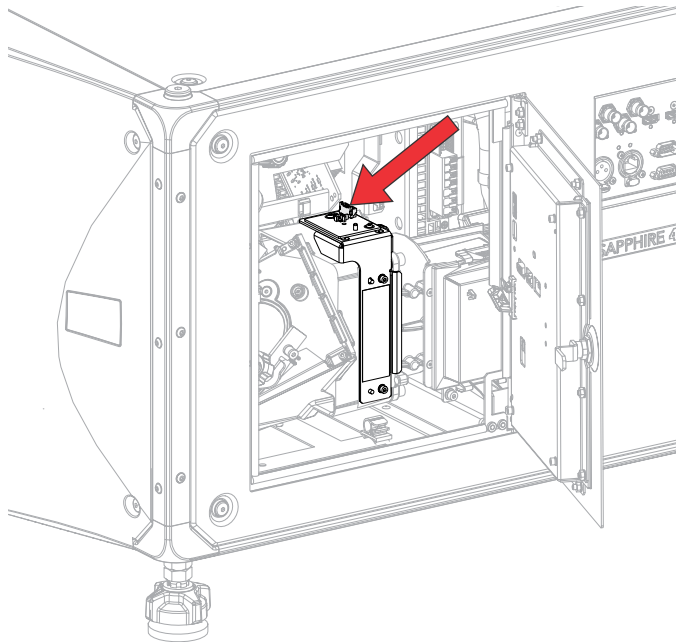
- LASER RADIATION HAZARD! This projector has a built-in Class 4 laser module. Never attempt to disassemble or modify the laser module.



Caution! If not avoided, the following could result in minor or moderate injury.

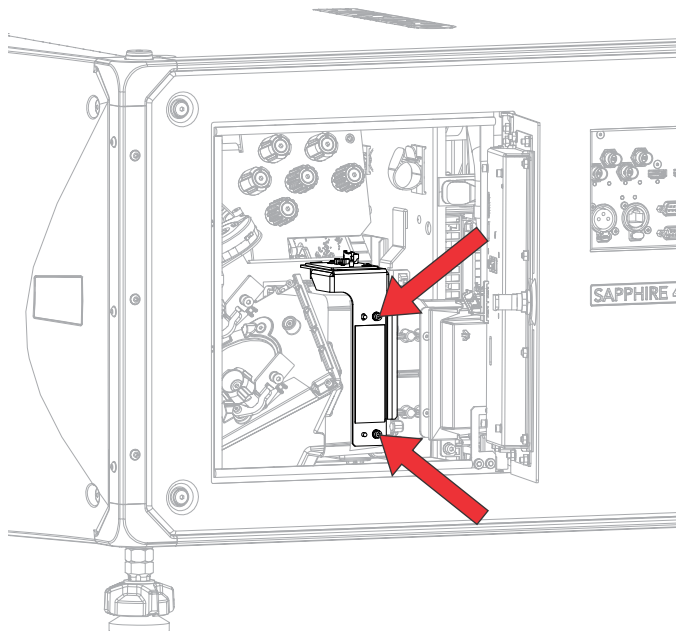
- This procedure must be performed by a qualified installer.
- Always wear clean, powder-free latex gloves when handling optical components.

1. Turn off the projector and disconnect it from AC power.
2. Open the service door.
3. Disconnect the intelligent filter holder harness on the optical filter ID (OFIB) board.



4. Wearing gloves, remove the two screws securing the existing filter and remove and store the IFH.

The filter contains an optic that must not be touched and must remain free of contaminants.



5. Remove the new filter module from the packaging.
6. Inspect the new filter module with a light to make sure there are no contaminants and the optic is clean.
7. If necessary, use standard optic cleaning practices to clean the optic (for example, gloved hands, isopropyl alcohol, and optical wipe).

8. Seat the color comb 3D or 2D aperture filter on the alignment pins, making sure the filter seats flush against the surface to prevent light leakage, and tighten the two screws.

Valid filters:

- Left-eye 3D 66 mm filter (P/N: 177-101103-XX)
- Right-eye 3D 66 mm filter (P/N: 177-102104-XX)
- 2D aperture 66 mm filter (P/N: 177-104106-XX)

9. Connect the intelligent filter holder harness on the optical filter ID (OFIB) board.
10. Close the service door.
11. Connect the projector to AC power and turn on the projector.
12. Christie recommends performing a Hawkeye sensor-to-screen calibration for the following scenarios:
 - If the optical filter type has never been calibrated in the system before.
 - If the the optical filter calibration was previously performed on a different inlet line voltage (110V vs 220V).

Christie Sapphire 4K40-RGBH automatically stores LiteLOC calibrations on a filter-by-filter type basis, and an AC voltage basis. Calibration data is not lost or discarded when changing filters.



The matched eye glasses filter must be place over the color meter at the time of calibration.

Christie recommends using one of the following Colorimetry Research Inc. filter holders:

- <https://www.colorimetryresearch.com/accessories/filter-holder>
- <https://www.colorimetryresearch.com/accessories/glasses-holder>

Make sure to follow the Colorimetry Research Inc.'s procedure for using these filer holders.

13. Perform a color correction on the projector after the calibration has completed.
For more information, see *Christie TruLife+ User guide (P/N: 020-103315-XX)*.

Connecting the projector to power

Two options are available for connecting the projector to power: hardwiring the connection or using a line cord.

Hardwiring the power connection

Optionally, you can hardware the power connection.



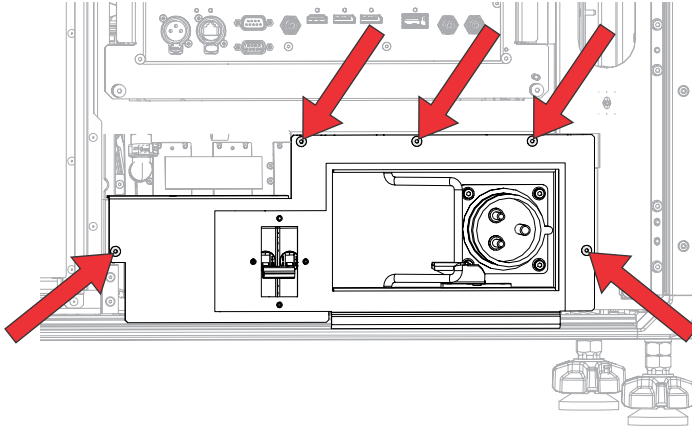
Caution! If not avoided, the following could result in minor or moderate injury.

- A certified electrician must be present during installation to make sure the installation meets the local electrical code.

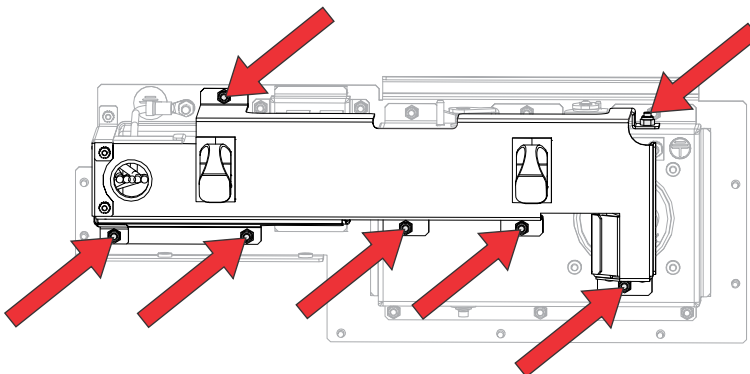


- A 30 A maximum rated, certified wall circuit breaker, is required. It must be part of the building and easily accessible.
- A qualified electrician must verify the protective earthing connection of the socket-outlet.
- Use a minimum of 12 AWG copper wire, grounding included, for the connection of the AC power supply to the projector's ground lug.

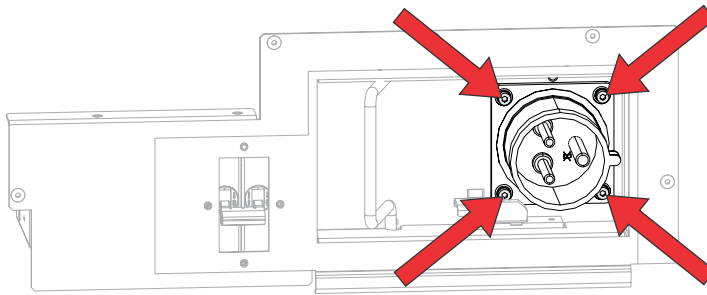
1. Remove the four screws securing the electronics-side cover.
2. Remove the five screws securing the AC module.



3. Disconnect 12 V AC inline and remove it from the clip.
4. Pull out the module and fish out the AC inline harness.
5. Disconnect the two 54V AC inline connectors.
6. Place the module on a secure surface.
7. Remove the seven nuts securing the back shield cover.



8. Disconnect the line and neutral harnesses coming from the terminal block and the ground harness from the ground lug.
9. Remove the four screws securing the blue plug.
The knockout plate is provided.



10. The electrician will hardwire the connection and to check for proper earthing.

11. To re-install, follow these steps in reverse order.

When reconnecting the 54V harnesses, they are labeled 1 and 2 (one harness is longer than the other harness); however, if you connect the harnesses to the other 54V power supply, it is fine.

Connecting power with a line cord

Follow these steps to connect to power using a line cord when a hardwire power connection is not used. When connecting the projector to AC power, follow all electrical codes for your location.

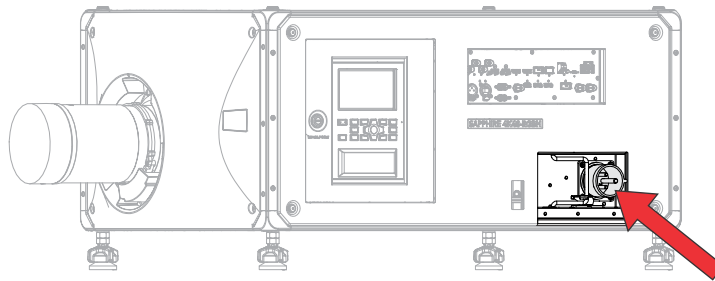


- A 30 A maximum rated, certified wall circuit breaker, is required. It must be part of the building and easily accessible.
- A qualified electrician must verify the protective earthing connection of the socket-outlet.
- Use a minimum of 12 AWG copper wire, grounding included, for the connection of the AC power supply to the projector's ground lug.

1. Select the line cord appropriate for your country.

Description	Part number
250 V/32 A IEC309 3.0 m cord—Australia	108-434102-XX
250 V/30 A IEC309 3.0 m cord—China	108-396109-XX
250 V/32 A IEC309 3.0 m cord—Europe	108-429106-XX
250 V/30 A IEC309 3.0 m cord—Japan	108-398101-XX
250 V/30 A IEC309 3.0 m cord—Korean	108-397100-XX
250 V/30 A IEC309 3.0 m cord—North America	108-395108-XX
120 V/15 A IEC309 2.5 m cord—North America	108-601108-XX

2. Plug the line cord into AC power and the opposite end to the projector as shown in the image below.



Turning on the projector

When the projector AC power supply is plugged in and the breaker switch is on, the power is on.



Warning! If not avoided, the following could result in death or serious injury.

- SHOCK HAZARD! Do not attempt operation if the AC supply is not within the specified voltage and current, as specified on the license label.




- A qualified electrician must verify the protective earthing connection of the socket-outlet.
- Use a minimum of 12 AWG copper wire, grounding included, for the connection of the AC power supply to the projector's ground lug.

When Christie Sapphire 4K40-RGBH is turned on for the first time, a Hawkeye calibration is performed and this is considered the factory-level calibration. Subsequent calibrations are considered field-level calibrations.

1. Turn on the breaker switch.

When plugged in and the breaker switch is on, the projector automatically powers on to standby mode within 60 seconds. The display panel functionality becomes available.

2. To turn on the light source using the projector keypad, select and hold the **Power**  button until a beep sounds.

To turn on the light source using the remote, select and hold the **ON** button until you a beep sounds.

Projector LED status indicators

Identify the LED state colors and meaning.

LED	State		Description
Blue	Solid	Standby	Light source is off. Video electronics are off. Projector status is OK.
	Flashing	Cool down	Projector is moving to one of the two standby states: <ul style="list-style-type: none"> • Light source is off and video electronics are booting up. • Light source is off. Video electronics and light source is cooling down.
Green	Solid	Light source on	Light source is on. Projector status is OK.

LED	State		Description
	Flashing	Startup	Projector is moving to light source on state. Light source is warming up. Video electronics are initializing.
Yellow	Solid	Warning in standby	Projector is in standby state. A problem exists with the projector that does not prevent it from operating.
	Flashing yellow/green	Warning during startup	Projector is in a startup state. A problem exists with the projector that does not prevent it from operating.
	Flashing	Warning with light source on	Light source is on. A problem exists with the projector that will not cause it to shut down.
	Flashing yellow/blue	Warning during cool down	Projector is in a cool down state. Light source is off. Video electronics and light source are cooling down. A problem exists with the projector that does not prevent it from operating.
Red	Solid	Error in standby	Projector is in standby. An error exists that prevents the projector from starting up.
	Flashing	Error	An error with the projector exists during startup, cool down, or when the light source is off. Projector will proceed to shut down.
Off		AC off	The AC power is off.


Projector LED shutter indicators

Identify the shutter LED state colors and meaning.

LED	State	Description
Solid magenta	Shutter closed	The shutter is closed. In standby, the shutter is always automatically closed and the magenta light is muted.
Off	Shutter open	The shutter is open.

Turning off the projector

When powering off in preparation for inspection or maintenance, always disconnect from AC.

1. To turn off the light source using the projector keypad, select and hold the **Power**  button until a beep sounds.
To turn off the light source using the remote, select and hold the **OFF** button until a beep sounds.
When powering off the projector, allow the projector to complete its cool down cycle. Do not immediately unplug the projector if this can be avoided.
2. To turn off power to the projector, turn off the projector breaker switch and wait 10 seconds for the electrical charge to dissipate.

3. Disconnect the power supply cord.

Disposing of the product packaging

Once the product has been installed and set up, Christie recommends reusing or recycling the product packaging according to your local regulations.

Completing the installation checklist

Complete the provided installation checklist (P/N: 020-103137-XX) and return it to Christie.

Aligning the image

Only perform image alignment after the projector is fully assembled and powered up in its final location.

Basic image alignment ensures the image reflected from the DMDs is parallel and well-centered with the lens and screen. This initial optical alignment is the foundation for optimizing images on the screen and must be completed before final boresight adjustments. Before beginning, make sure the projector is properly positioned in relation to the screen.

1. Make sure the projector is positioned in the throw distance range for the particular lens.
2. Display a test pattern.
3. Do a quick preliminary focus and (if available) zoom adjustment with the primary lens.
Do not worry about consistency across the image at this point, just center focus. It is good practice to have zoom adjustment and focus adjustment in the center of its range.
4. Holding a piece of paper at the lens surface, adjust offsets as necessary until the image is centered within the lens perimeter. A full black field works best for this.
5. If the projector is mounted off center to the screen axis, offset the lens as much as required. Aim the projector over slightly towards the center of the screen, but use caution when doing so, as too much tilt causes excessive keystone distortion.
6. With a framing pattern on screen, double-check projector leveling so the top edge of the image is parallel to the top edge of the screen.

Adjusting offset

Adjust the offset to align the image on the screen. Always adjust offset before adjusting boresight.



For the best optical performance and minimal keystone, use offsets instead of aiming at the center of the image, in off-axis installations. Avoid extreme tilts or offsets. Corner vignettes on a white test pattern indicate extreme offset that should be avoided using mechanical alignment.

1. Project an image with the primary lens.
2. Select a framing test pattern.
3. Select **LENS OFFSET**.
You can also select **MENU > Configuration > Lens Settings > Lens Offset**.
4. Use the arrows to adjust the offset to display a square image on the screen, with minimal projector aiming error.
5. To exit to the home page, select **Back**.

Resetting the lens to home position

Realign the lens to the home position after the lens has been offset and out of alignment.

1. Select **LENS OFFSET**.

You can also select **MENU > Configuration > Lens Settings > Lens Offset**.

2. To reset the lens to the default home position, select **Enter**.
3. To confirm the reset, select **OK**.

Selecting a test pattern

Many test patterns are available to assist with the configuration of the projector and to diagnose any issues that may occur.

1. From the display panel, use the arrows to select **Test Pattern**.
You can also select the test patterns from **MENU > Test Pattern** or pressing **N** on the IR remote.
2. Scroll through the list of test patterns.
3. Select the required test pattern.
4. To confirm your selection, select **Enter**.

Running a Hawkeye calibration

When Christie Sapphire 4K40-RGBH is turned on for the first time, a Hawkeye calibration is performed and this is considered the factory-level calibration. Subsequent calibrations are considered field-level calibrations.

Christie Sapphire 4K40-RGBH can fully operate in both 100-120 VAC limited power mode and 200-240 VAC full power mode. A Hawkeye calibration must be performed again when switching between power modes.

1. Open the Hawkeye software.
2. Make sure the projector subnet and computer subnet match.
3. Connect the designated Hawkeye calibration camera and the spectroradiometer with the Hawkeye software.
4. Place the camera as centered and close to the image as possible while having full screen visible and not obstructing light path.
5. Make sure auto focus is set on the camera.
6. To verify the camera placement, switch to the **Camera** tab.
7. Switch to the **Alignment** tab.
8. Verify all four test patterns have good alignment.
9. Aim the spectroradiometer toward the center of the image.
10. Run Hawkeye calibration.

Make sure the process is done in low light and is not interrupted. The process lasts approximately 50 minutes.

Adjusting boresight

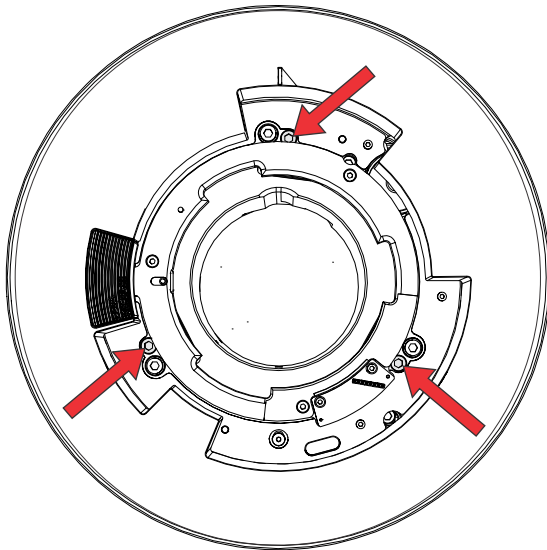
The boresight adjustment balances the tilt of the lens mount to compensate for screen-to-projector tilt.



Caution! If not avoided, the following could result in minor or moderate injury.

- Do not look directly into the lens when the light source is on. The extremely high brightness can cause permanent eye damage.

1. Close the shutter on the projector.
2. Unlock the three lens mount stabilization screws.



3. Open the shutter.
4. From the Test Pattern menu, select the **Boresight** test pattern.
The Boresight test pattern assists with adjusting the boresight for the three focus points.
5. To focus the right boresight guide, adjust the green boresight screw.
6. To focus the left boresight guide, adjust the yellow boresight screw.
7. To continue to refine the focus, repeat steps 5 to 7.
8. Before adjusting the stabilization screws, close the shutter.
9. To maintain the adjustments, lock the stabilization screws.
When locking the screws, start with the top stabilization screw and turn it so it just touches the base. Repeat for the other two stabilization screws. Continue to adjust the locking screws until they are tight.
10. Open the shutter.

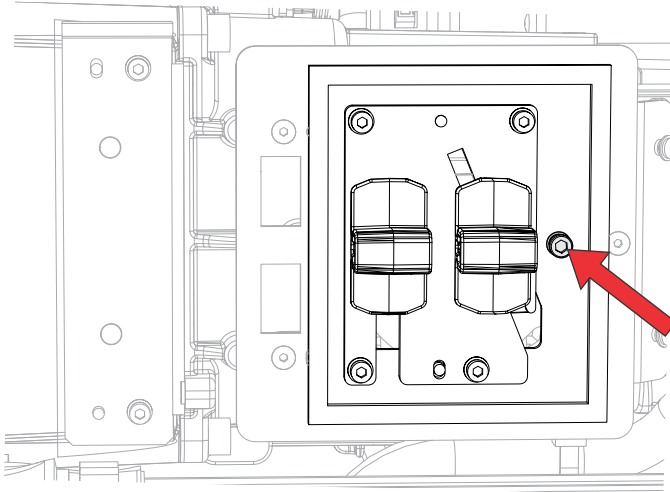
Optimizing the integrator zoom and focus

Learn how to optimize the integrator zoom and focus.

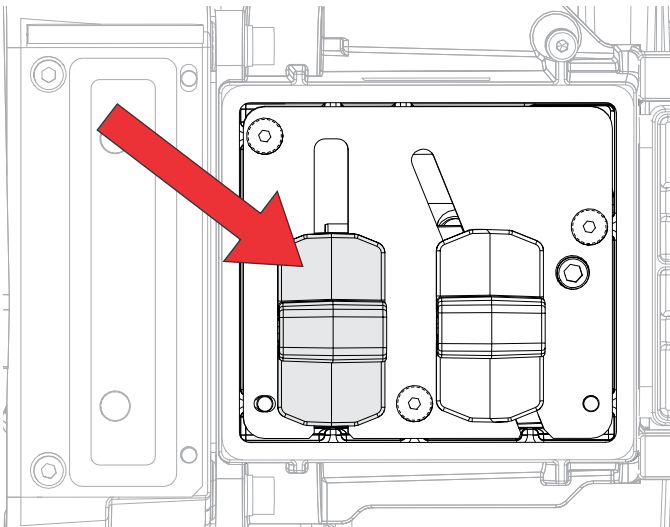
These instructions must be performed after replacing a light engine, fold mirror, relay optics, and zoom/focus assembly or when doing preventative maintenance.

Optimizing the integrator zoom is a critical adjustment because if the zoom is not set properly, it results in lower brightness on screen and the DMD and other components may be damaged.

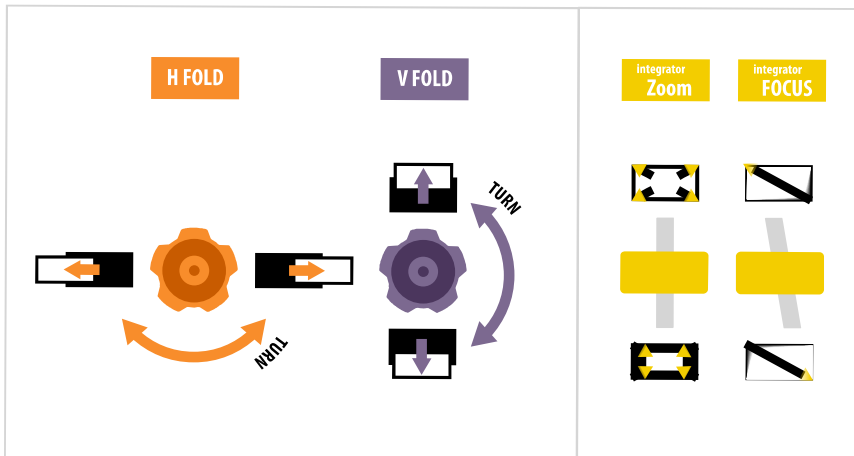
1. Turn off the projector and disconnect it from AC power.
2. Remove the four screws securing the electronics-side cover and remove the cover.
3. Open the Service door on the side of the projector.
4. Remove the zoom and focus cover and rotate it out of the way.
5. Unlock the Zoom and Focus paddles.



6. Adjust the Zoom paddle to minimum zoom (paddle all the way down).



7. Set the brightness to 30% or less before powering on the projector into full power mode. If the Brightness slider is greyed out, enable LiteLOC™.
8. Power on the lasers.
9. From the Test Pattern menu, select the **Integrator Rod** test pattern.

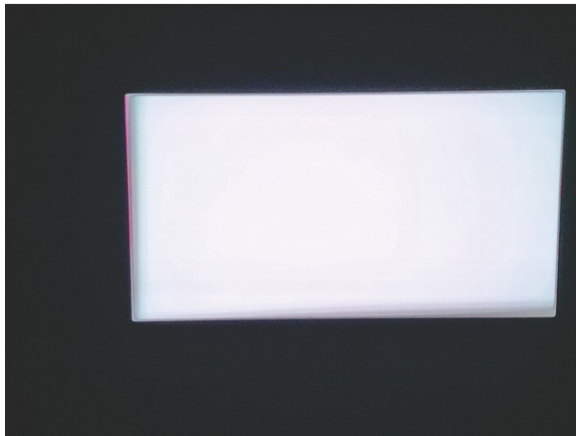
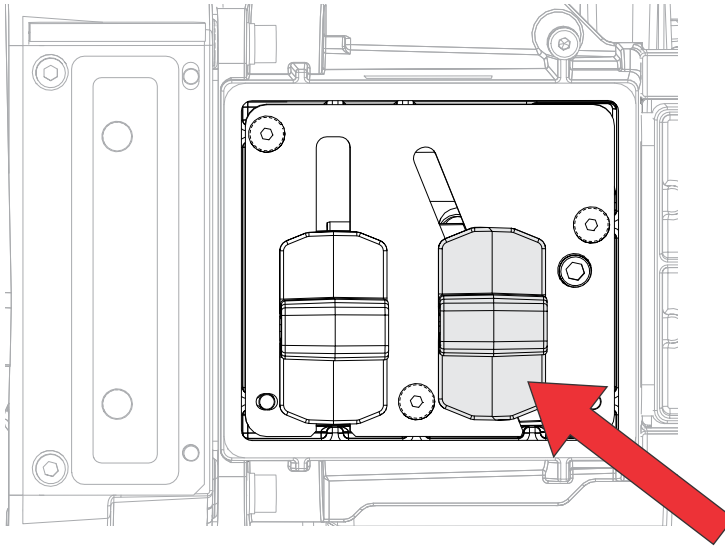


10. Adjust the fold mirror (on page 54) to see the edges of the integrator rod on the DMD (both horizontally and vertically).

Your image should look like the following:



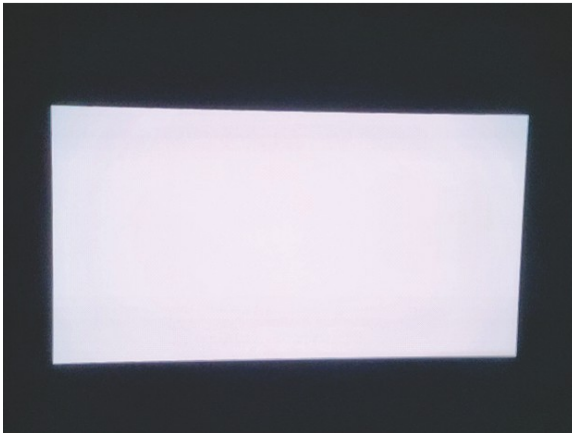
11. Adjust the Integrator Rod Focus paddle until the edges of the image look sharp as shown in the second image below.



12. Adjust the fold mirror to align the integrator rod image to the DMD.
If you see shadows around edge of the screen, adjust the fold mirror until the shadow is split evenly (top/bottom and left/right).



13. Increase the Integrator Zoom paddle slowly and with caution until the shadow disappears.
As the zoom is adjusted, the focus may require additional adjustment.



14. When complete, lock the Zoom and Focus paddles and re-install the zoom and focus cover.

Adjusting the fold mirror

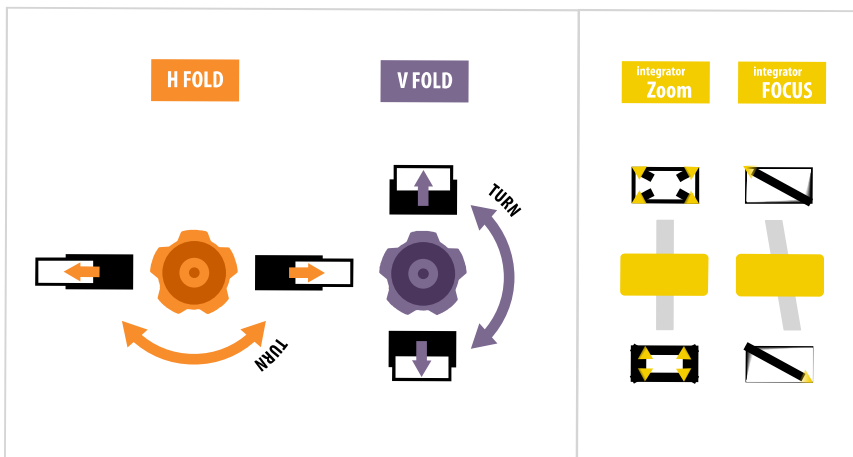
Fold mirror adjustment must be completed by trained personnel.



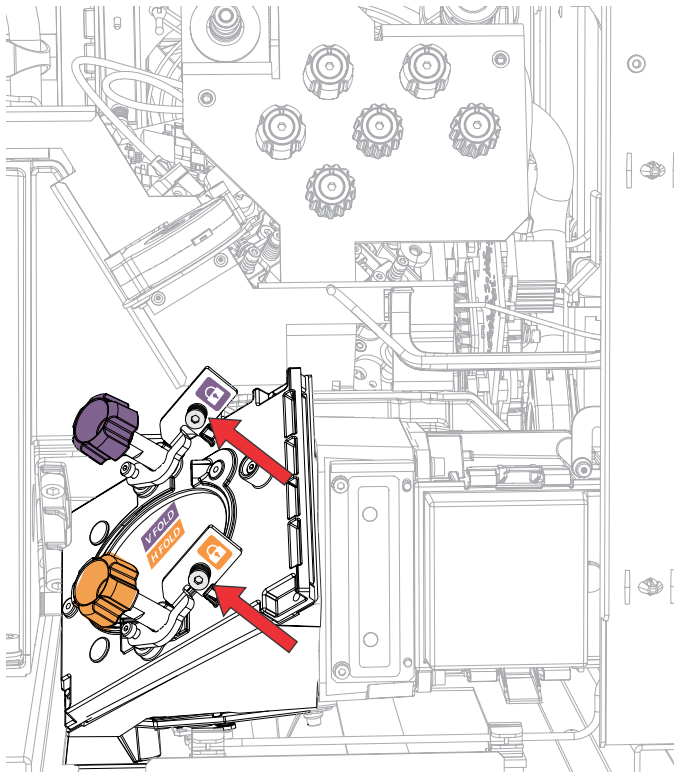
Notice. If not avoided, the following could result in property damage.

- Misalignment of the fold mirror may cause permanent damage to the product.

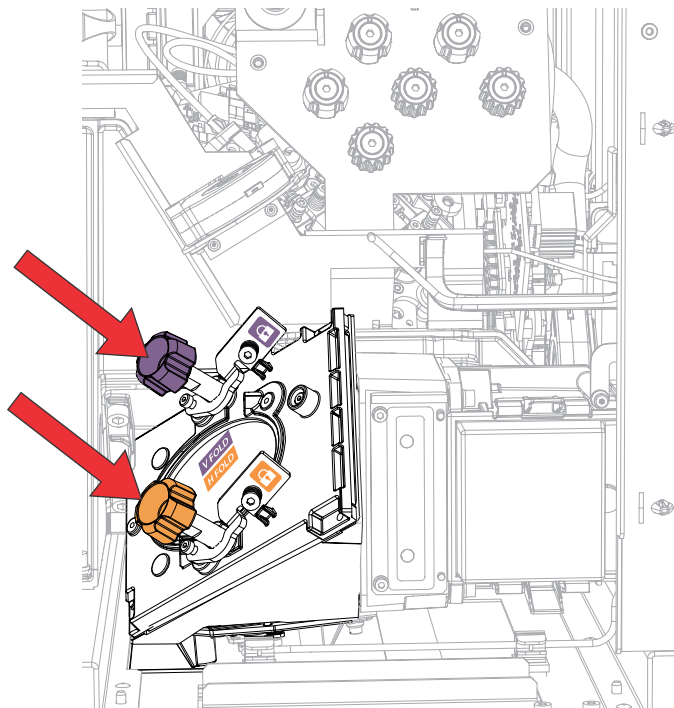
1. Set the brightness to 30% or less before powering on the projector.
If the Brightness slider is greyed out, enable LiteLOC™.
2. From the Test Pattern menu, select the **Integrator Rod** test pattern.



3. Open the Service door on the side of the projector.
4. Unlock the fold mirror screws to unlock the adjustment knobs.



5. To make horizontal adjustments, use the orange knob labeled Horizontal.
6. To make vertical adjustments, use the purple knob labeled Vertical.



7. To continue to refine the fold mirror adjustment, repeat the horizontal and vertical adjustments.
8. Lock the fold mirror screw to lock the adjustment knobs.
9. Once satisfied with the alignment, increase the projector power.

Aligning the image with lens zoom and focus

The lens zoom and focus adjustment allows the projected image to be focused and shifted to align with the screen.

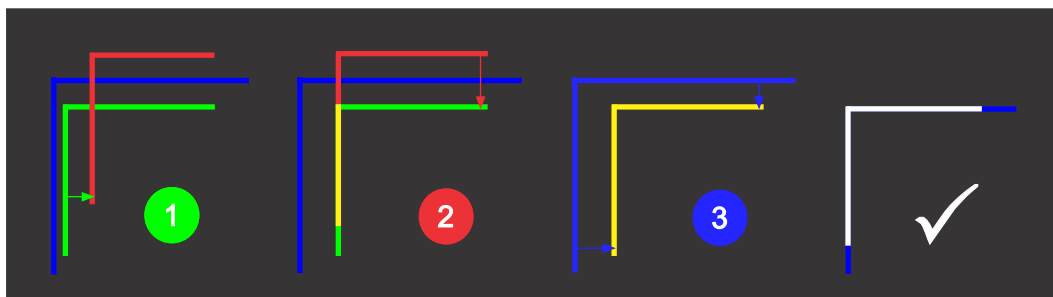
1. Display an image or test pattern that can be used to analyze image focus and geometry.
2. Select **ZOOM**.
3. Use the up and down arrows to zoom in or out of the image.
4. To exit, select **Back**.
5. Select **FOCUS**.
6. Use the up and down arrows to adjust the focus of the image.
7. To exit, select **Back**.
8. To refine your adjusts, repeat steps 2 to 7.

Adjusting digital micromirror device (DMD) convergence

A convergence problem occurs when one or more projected colors (red, green, and blue) appears misaligned when examined with a convergence test pattern.

Two features can be used independently or in conjunction to adjust convergence: electronic (with the remote or through the menu) and/or mechanical.

When adjusting the convergence, you are adjusting red and green to blue for mechanical convergence. For electronic convergence all three colors can be adjusted. Always align the color components of the sprite to the inner most line color (for each axis). The three colors should overlap to form pure white lines throughout the image and one or more poorly converged individual colors may appear adjacent to some or all of the lines.



For best convergence results, Christie recommends disabling all geometry and color (set the color correction mode to **Max Drive**) correction before adjusting convergence.

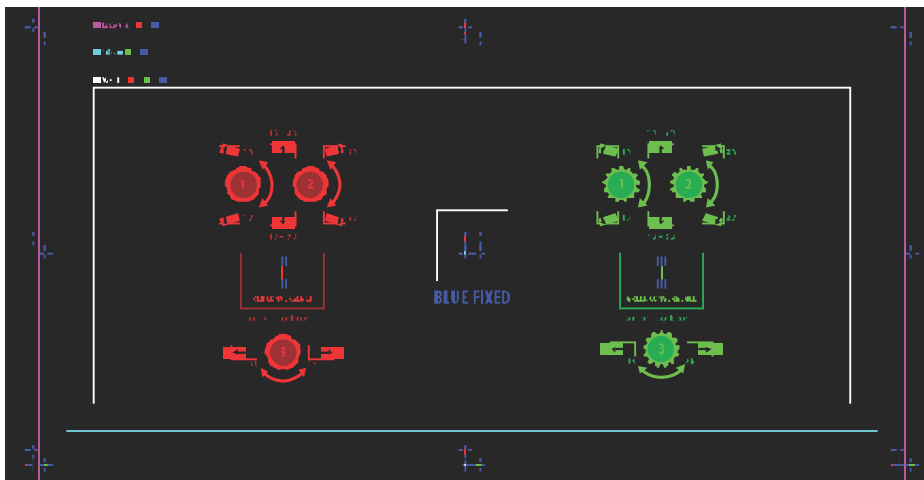


If you wear glasses with corrective lenses when performing this adjustment, make sure you are viewing the test pattern on a straight angle through the optical axis of your glasses, and not from a tilted or angled perspective. This avoids a prismatic effect that can appear to shift convergence when viewing at an angle.

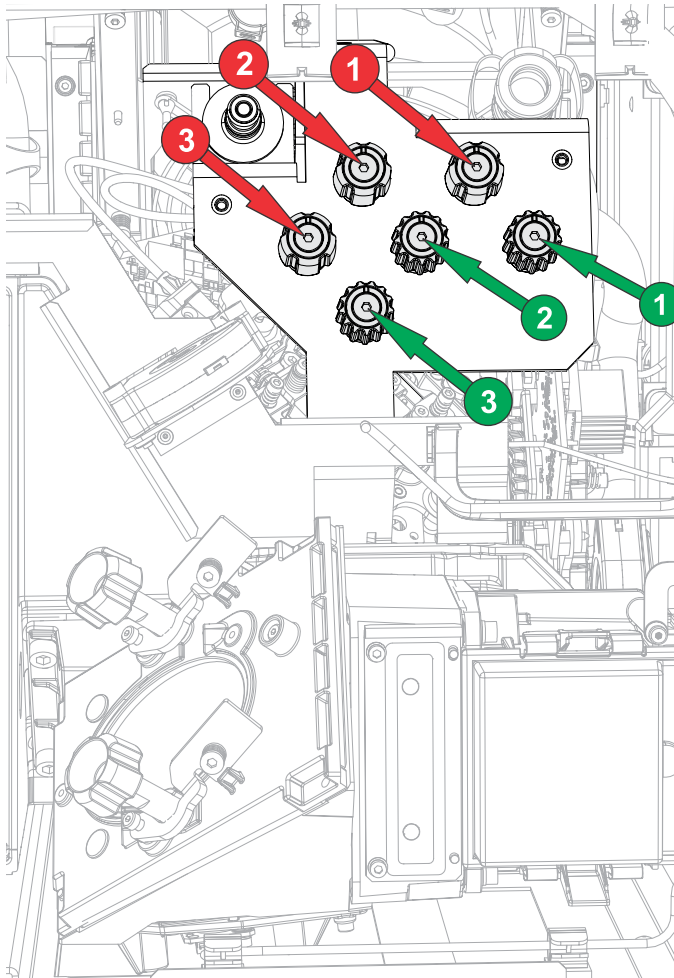
Mechanically adjusting convergence

Use the convergence knobs behind the Service door to mechanically adjust convergence.

1. Before adjusting digital micromirror device (DMD) convergence, make sure the projector has reached a steady operational state. If switching from a white or bright test pattern to a dark convergence test pattern, or if warming up the projector after a shutdown, allow 15 minutes for stabilization so the optics can reach a steady state.
2. Make sure electronic convergence has been reset to zero prior to conducting mechanical convergence.
3. From the Test Pattern menu, select the **Convergence** test pattern and display it full screen.



4. Open the Service door on the side of the projector.
5. To adjust the convergence knobs, use the 3 mm driver included with the projector.
If adjusting by hand without using the tool, pull out the convergence adjustment knobs to engage them.



6. Use the Convergence test pattern to assist with adjusting the horizontal and vertical lines. Horizontal adjustments are controlled by adjusting knob 3.

Vertical convergence and rotation are controlled by adjusting knobs 1 and 2. Christie recommends rotating a single knob a maximum of a quarter rotation before adjusting the second knob a quarter rotation. For example, if using one hand, turn the left knob a quarter rotation and then the right knob a quarter rotation, and so on. Adjusting a single knob for vertical or rotational adjustment to an extreme before adjusting the second knob may result in the convergence mechanism binding.



For the best stability, Christie recommends setting convergence while rotating the knobs in a clockwise direction. This may require first adjusting convergence by turning the knobs counter-clockwise, and finalizing the convergence with a clockwise approach. This applies to all knobs.

7. When complete, push in all the convergence adjustment knobs to disengage them.

Electronically adjusting convergence with the remote

Use the electronic convergence feature with the remote to adjust convergence.



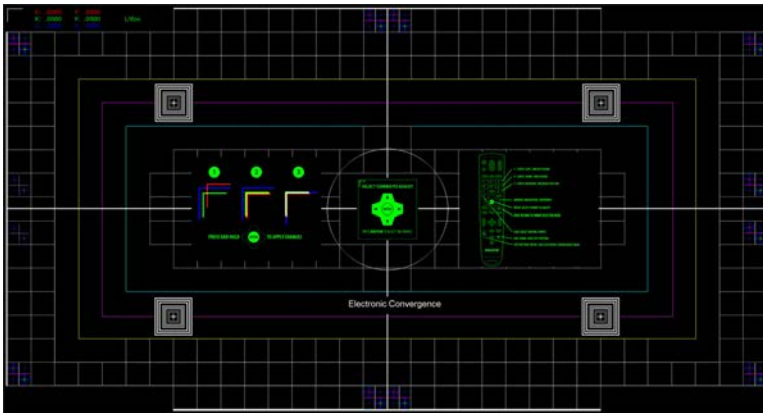
If warping with Christie Twist™ or Mystique™, make sure the warp files are disabled before entering the electronic convergence feature.

When using the remote to do electronic convergence, the following functionality is not available:

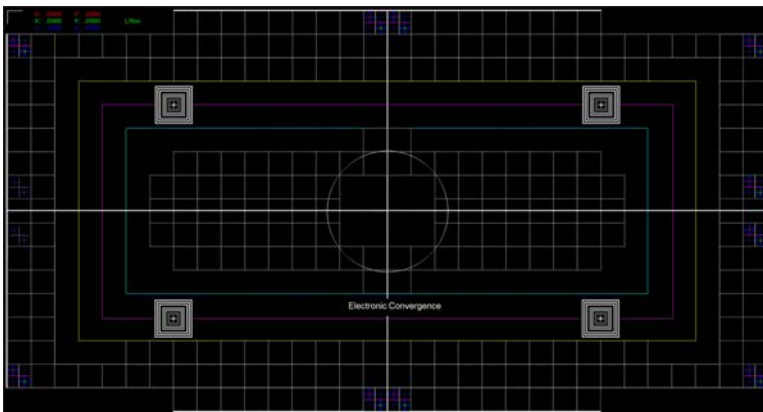
- Lens movement functions
- Image optimization and setting the aspect ratio
- Keystone adjustments
- Customized actions
- Context-sensitive help
- On-screen display menu

Follow these steps to adjust convergence electronically with the remote.

1. Before adjusting digital micromirror device (DMD) convergence, make sure the projector has reached a steady operational state. If switching from a white or bright test pattern to a dark convergence test pattern, or if warming up the projector after a shutdown, allow 15 minutes for stabilization so the optics can reach a steady state.
2. On the remote, select **Test Pattern** and select the **E-Convergence** test pattern.



The E-Convergence test pattern is displayed, including the instructional text. To remove clutter from the screen or if familiar with the electronic convergence, turn off the instructional text. On the remote, select **OSD Hide** for two seconds.



Until electronic convergence is completed, the displayed image may appear to be blurred and difficult to read, especially for white text, due to the mis-convergence of the red, green, and blue pixels.

3. Select the corner sprite you want to adjust first.
By default the top-left position is selected.

4. Lock the color component of the sprite to align the other two color components to, and then unlock one or both of the two remaining color components to adjust.
On the remote use keys **1** (red), **2** (green), and **3** (blue) to lock and unlock the color components of the sprite.
Always align the color components of the sprite to the inner most line color (for each axis).
By default, all three color components (red, green, and blue) are displayed. It may be helpful to obtain a better view of the position of a particular color component if one or two of the other colors are deselected. On the remote, use keys **4** (red), **5** (green), and **6** (blue) to show or hide the color components.
5. Move the red, green, and/or blue components for the selected sprite either horizontally (x-axis) or vertically (y-axis) to align to the inner most line color.
On the remote, use the **Up** and **Down** keys to adjust vertically on the x-axis and the **Left** and **Right** arrows to adjust horizontally on the y-axis.
To change the step size for the adjustment, on the remote select **7** (decrease) or **9** (increase). The default is 1/8th of a pixel.
You cannot move the selected sprite outside the resolution range.
6. Repeat steps 4 and 5 for the other axis.
7. To apply the alignments and update the test pattern (so the effect is seen on the screen), on the remote select and hold **Enter**.
A countdown is initiated and a message displayed when the alignments are applied.
To apply the alignments to the test pattern at any time, press and hold the **Enter** button.
Applying alignments to the test pattern does not automatically save the convergence settings to the projector. For how to save the convergence to the projector, refer to step 10.
8. To adjust remaining corners, repeat steps 3 to 7.
To move to the next corner, on the remote press **Back**. The Select Corner to Adjust dialog appears. Use the arrow keys to select the next corner you want to adjust.
9. If the corner adjustment is not what you want or to start over with the alignment, reset the sprite positions:
 - a) On the remote, press **0**.
 - b) To reset the selected corner's alignment, select **Selected** and select how the chosen sprite position should be reset: **Factory**, **Zero**, or **Last Saved**.
 - c) To reset the alignments for all the corners, select **All** and select how the sprite positions should be reset: **Factory**, **Zero**, or **Last Saved**.
10. To save the convergence and exit, on the remote press **Test Pattern**.
If no changes have been made, the projector exits the electronic convergence function. If any changes have been made to the convergence, a Save or Discard Changes dialog appears.
 - a) To save and exit, select **SAVE** and **ENTER**.
The convergence settings are applied and saved to the projector before exiting the electronic convergence function.
 - b) To exit without saving, select **DISCARD** and **ENTER**.
The convergence settings are not saved to the projector and the previous convergence settings are applied.

Electronically adjusting convergence through the menu

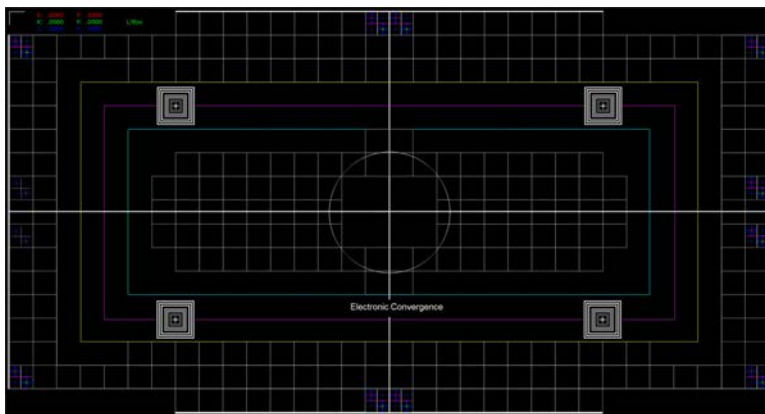
Use the electronic convergence feature in the menu to adjust convergence. It can be used in addition to or instead of mechanical digital micromirror device (DMD) convergence. When used in addition

to mechanical DMD convergence, Christie recommends completing mechanical convergence prior to making electronic adjustments.



If warping with Christie Twist™ or Mystique™, adjust the convergence mechanically. Do not use the electronic convergence feature.

1. Before adjusting DMD convergence, make sure the projector has reached a steady operational state. If switching from a white or bright test pattern to a dark convergence test pattern, or if warming up the projector after a shutdown, allow 15 minutes for stabilization so the optics can reach a steady state.
2. Make sure the **Convergence Enable** option is selected:
 - a) From the display panel, select **MENU > Admin > Service**.
 - b) Enter the service password.
 - c) Select **Convergence Enable**.
3. From the Test Pattern menu, select the **E-Convergence** test pattern and display it full screen. Until electronic convergence is completed, the displayed image may appear to be blurred and difficult to read, especially for white text, due to the mis-convergence of the red, green, and blue pixels.



4. To enable electronics convergence, select **MENU > Admin > Service > Convergence**.
5. To show the adjustment locations, select **Show Convergence Sprite**.
Only one adjustment position can be selected at a time.
6. From the Corner list, select the corner you want to adjust first.
By default the top-left position is selected.
7. To select the color for adjustment, select **Color** and select the appropriate color from the list.
By default, all three color components (red, green, and blue) are displayed.
It may be helpful to obtain a better view of the position of a particular color component if one or two of the other colors are deselected.
8. Modify the red, green, and/or blue convergence for the selected sprite both vertically and horizontally by adjusting the sliders so all three color components are overlapped (sprite is displayed in white).
You cannot move the selected sprite outside the resolution range.
9. To adjust remaining locations, repeat steps 5 to 7.
10. To apply and store the new settings, select **Convergence Enable**.
If already selected, clear and reselect **Convergence Enable**.

11. To reset the electronic convergence, select **Reset**.
12. At the confirmation prompt, select **Reset** and then apply and store the new settings using step 10.

Running Auto Setup to optimize display settings

Auto Setup initiates an automated process in which the projector optimizes video settings for the active signal. Auto Setup helps to save time in perfecting a display and you can modify the adjustments as required.

1. Make sure of the following before running Auto Setup:
 - *Test patterns are turned off* (on page 49).
 - The active signal is valid.
2. From the remote, select **Auto Signal** or from the web UI, select **Auto Setup**.
3. Select **Run Auto Setup**.
The system optimizes the active signal and displays a progress message on screen.

Connecting devices and establishing communication

Learn how to connect external devices to the projector.
Communication and input ports are located on the projector side input panel (operator side).

Video Input panel

The Video Input panel has a variety of ports that can be used for control, 3D sync, upgrading, retrieving interrogators, and connecting audio.

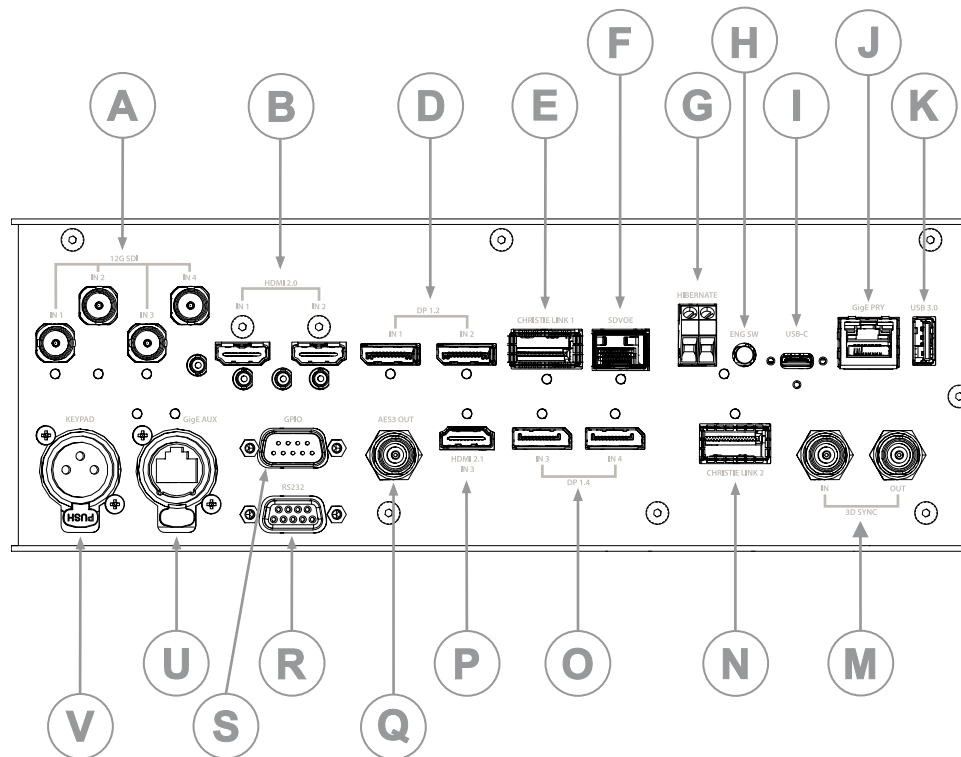
Video Input panel components

The following table lists the video components available depending if the card cage has VOM-IF, VOM-HBI, and CAVE LP connections. Christie Sapphire 4K40-RGBH supports the CAVE LP.

ID	Port	Description	Applies to	Default enabled	SDVoE enabled
A	12G SDI	Accept digital video data from 12G SDI sources.	CAVE LP		
B	HDMI	Accept digital video data from HDMI 2.0 input with HDCP 2.2 and 1.4 support.	All	X	X
C	SDI	Accepts digital video data from 12G, 6G, 3G, and HD SDI sources.	VOM-IF VOM-HBI	X	
D	DisplayPort	Accepts digital video data from DisplayPort 1.2 input with HDCP 1.3 support.	All	X	
E	Christie Link	Accepts digital video data from QSFP+ 40 GB optical Christie Link input.	All	X	X
F	SDVoE	Accepts digital video data from SDVoE input. Not all projectors support for the SDVoE feature. To determine if your projector supports the SDVoE function, see <i>Determining if SDVoE is supported</i> (on page 70) or contact Christie Technical Support.	VOM-IF VOM-HBI		X

ID	Port	Description	Applies to	Default enabled	SDVoE enabled
G	Hibernate	Reserved for future use.	CAVE LP		
H	ENG SW	Reserved for Christie use.	CAVE LP		
I	USB -C	Connects a USB-C flash drive that has been formatted with a FAT32 file system. Can be used for upgrades, backups, restores, and interrogators.	All		
J	GigE PRY	Provides network control of the projector including connectivity to Art-Net 4 Ethernet communication protocol for the transfer of DMX512 data and commands.	CAVE LP		
K	USB 3.0-A	Connects a USB flash drive that has been formatted with a FAT32 file system. Can be used for upgrades, backups, restores, and interrogators.	All		
L	Ethernet	Provides Ethernet and network connection for remote control. 10/100/1000 Base-T Ethernet x 1 ruggedized connector.	VOM-IF VOM-HBI		
M	3D Sync In/3D Sync Out	Supported for 3D-enabled projectors (mini BNC for VOM-IF and standard BNC on VOM-HBI).	All		
N	Christie Link	Supports QSFP+ 40 GB optical Christie Link through connection for looping HDMI, DisplayPort, SDI, and/or Christie Link inputs to multiple projectors.	All		
O	DP 1.4	Accepts digital video data from DisplayPort 1.4 supporting EDID 1.3 with HDCP 1.3 support (for VOM-HBI only).	VOM-HBI CAVE LP	X	
P	HDMI 2.1	Accept digital video data from HDMI 2.1 supporting EDID 1.3 with HDCP 2.2 and 1.4 support (for VOM-HBI only).	VOM-HBI CAVE LP		
Q	AES3 Out	Supports stereo digital audio output according to AES-3 ID.	VOM-HBI CAVE LP		
S	GPIO	Provides a method for controlling the projector using electrical signals.	All		
R	RS232	Sends/receives Christie serial commands using a standard RS232 serial cable.	All		
T	Audio Out	Connect amplified speakers or headphones to the stereo headphone jack (3.5 mm) and receive the system's audio output signal.	VOM-IF		
U	GigE AUX	A secondary Ethernet port.	All	X	X
V	Wired keypad	Physically connects a remote control to the projector.	All		

CAVE LP Video Input panel



Configuration options

The Video Input panel has two configuration options: Default and SDVoE. The selected option determines what video input configurations are enabled on the Video Input panel.

To enable the SDVoE option, plug in the SDVoE source into the Video Input panel and from the Input Configuration menu select **Main Menu > Configuration > Input Settings > Video Input configuration > SDVoE**.

To return to the default configuration, select **Default**.

Configuring video input

Defines which video inputs are available. This setting is persistent so when the projector powers up, it loads the video input defined below.



When changing the selection, the system takes up to 15 seconds to re-configure. During this time the user interface is not responsive.

1. Select **MENU > Configuration > Input Settings > Video Input Configuration**.
2. Select the appropriate video input configuration:
 - **Default**—Supports HDMI, DP, SDI, and ChristieLink. (Default)
 - **SDVoE**—Supports HDMI, SDVoE, and ChristieLink.
3. Select **Enter**.

Enabling projector communication

Enable the receivers and the wired keypad to communicate with the projector from the remote.

The front and rear IR sensors receive transmissions from the IR remote. Keep the transmission path to these sensors unobstructed for uninterrupted communications with the projector.

Alternatively, you can connect a wired version of the remote to the connector on the IMXB labeled Wired Keypad.

1. Select **MENU > Communications > Projector Communications**.
2. To assign the projector an ID, select **Projector ID**.
3. Use the up and down keys to enter the projector ID.
4. Select **Enter**.
5. To enable the front IR sensor, select **Front IR Enabled** and select **Enter**.
6. To enable the rear IR sensor, select **Rear IR Enabled** and select **Enter**.
7. To enable a wired version of the remote, select **Wired Keypad Enabled** and select **Enter**.
By default this feature is enabled.

Setting the remote access level

Determine if and how the projector can be accessed remotely for the RS232 port or the Ethernet.

1. From the display panel, select **MENU > Admin > Service**.
2. Enter the service password.
3. To determine the remote access for the Ethernet port, select **Remote Access Level (Ethernet)**.
4. Select the appropriate remote access level:
 - No Access
 - Login Required
 - Free Access
5. Select **Enter**.
6. To determine the remote access for the RS232 IN port, select **Remote Access Level (RS232 IN)**.
7. Select the appropriate remote access level:
 - No Access
 - Login Required
 - Free Access
8. Select **Enter**.

Selecting a port configuration

Select a port configuration before you select a video source.

1. From the display panel, select **INPUT**.

2. To access the port configuration dialog from the input screen, select the right arrow.
You can also access the Port Configuration screen from **MENU > Configuration > Input Settings > Input Port Configuration**.
3. From the Port Configuration screen, navigate the list of port configurations until you find the selection that best matches your configuration.
The range of available configuration depends on the projector model and/or input/output combinations. When the Default configuration is selected (**Main Menu > Configuration > Input Settings > Video Input configuration > Default**), the following configurations are supported:
 - One-port
 - Two-port
 - Four-port quadrants
 - One-port dual-input 3D (3D license-specific)When SDVoE is selected (**Main Menu > Configuration > Input Settings > Video Input configuration > SDVoE**), the one-port configuration is selected.
4. To return to the Input screen, select the left arrow.

Selecting a video source

After connecting a video source to the projector and making sure your port configuration is correct, you must select it.

1. From the display panel, select **INPUT**.
2. Navigate the list of input selections until you find a selection that best matches your configuration.
The range of available input selections depends on the projector model and/or input/output combinations. When the Default configuration is selected, the following inputs are supported for each configuration:
 - One-port—HDMI, SDI, DisplayPort, Christie Link
 - Two-port—DisplayPort, Christie Link
 - Four-port quadrants—SDI
 - One-port dual-input 3D (3D license-specific)—HDMI, SDI, DisplayPort, Christie LinkWhen SDVoE is selected, the HDMI, SDVoE, and Christie Link inputs are supported for the one-port configuration.
3. To select the input, select **Enter**.

Connecting an HDMI video source

For the projector to accept digital video data from HDMI sources, plug the HDMI source directly into the Video Input panel (the B callout shows the HMID 2.0 port and the P callout shows the 2.1 port in the Video Input panel image).

For more details (including image and callouts) on the Video Input panel, see *Video Input panel* (on page 63).

The input configurations listed below are supported.

Input configuration	Description
One-Port	Enables connection of one HDMI cable. Supports both 2D and 3D frame-packed, top and bottom. In this configuration, the HDMI input supplies the entire video raster.
One-Port, Dual-Input 3D	May be used for Dual-Input 3D configurations, where HDMI 1 = left eye input and HDMI 2 = right eye input.

For supported video formats for your projector model, see *TruLife+ Supported Video Formats technical reference (P/N: 020-104081-XX)*.

Connecting 12G, 6G, 3G, or HD SDI video source

For the projector to accept digital video data from 12G, 6G, 3G, or HD SDI video source, plug the source directly into the Video Input panel (the A callout in the Video Input panel image).

For more details (including image and callouts) on the Video Input panel, see *Video Input panel (on page 63)*.



Some video sources may not be fully compliant with the relevant SDI SMPTE standards and do not include the SMPTE 352M Payload ID information. If the picture from a 1.5G or 3G SDI source does not display as expected, contact Christie Technical Support for an `SDI-Payload Override` command for the specific signal type. This allows for the display of signals missing Payload IDs from non-compliant sources.

Input configuration	Description
One-Port	Enables connection of any of the 12G, 6G, 3G, and HD SDI input standards.
One-Port, Dual-Input 3D	May be used for SDI inputs.
Four-Port Quadrant	May be used with four SDI inputs.

For supported video formats for your projector model, see *TruLife+ Supported Video Formats technical reference (P/N: 020-104081-XX)*.

Connecting a DisplayPort video source

For the projector to accept digital video data, plug the DisplayPort source directly into the Video Input panel (the D callout shows the DisplayPort 1.2 port and the O callout shows the DisplayPort 1.4 port in the Video Input panel image).

For more details (including image and callouts) on the Video Input panel, see *Video Input panel (on page 63)*.

The input configurations listed below are supported.

Input configuration	Description
One-Port	Enables connection of one DisplayPort cable. Supports both 2D and 3D frame sequential transmission format. In this configuration the DisplayPort input supplies the entire video raster.
Two-Port	Enables connection of two DisplayPort cables. Supports both 2D and 3D frame sequential transmission format. Each DisplayPort input supplies one of two columns of a 4K input image.

Input configuration	Description
One-Port, Dual-Input 3D	May be used for Dual-Input 3D configurations.

For supported video formats for your projector model, see *TruLife+ Supported Video Formats technical reference (P/N: 020-104081-XX)*.

Connecting Christie Link video source

For the projector to accept digital video data from Christie Link, plug the source directly into the Video Input panel (the E callout in the Video Input panel image).

For more details (including image and callouts) on the Video Input panel, see *Video Input panel (on page 63)*.



These input configurations are set up on the Christie Link transmitter. Refer to the Christie Link User guide (P/N: 020-102234-XX).

Christie Link video loop-out enables signals received on the Christie Link input (labeled Christie Link 1 on the *Video Input panel (on page 63)*) to be passed through to the Christie Link output (labeled Christie Link 2 on the *Video Input panel (on page 63)*). The loop through connection is automatically established whenever active Christie Link QSFP modules are plugged into the respective connectors on the projector's Video Input panel.

Input configuration	Description
One-Port	Enables connection of Christie Link 4K transmitter to the projector.
One-Port, Dual-Input 3D	
Two-Port	

For supported video formats for your projector model, see *TruLife+ Supported Video Formats technical reference (P/N: 020-104081-XX)*.

Connecting an SDVoE video source

For the projector to accept digital video data from a Christie Terra Transmitter, plug the SDVoE source directly into the SFP+ connector on the Video Input panel (the F callout in the Video Input panel image).

For more details (including image and callouts) on the Video Input panel, see *Video Input panel (on page 63)*.

After plugging the SDVoE source into the Video Input panel, the video source must be selected from the Input Configuration menu by selecting **Main Menu > Configuration > Input Settings > Video Input configuration > SDVoE**.



- Not all projectors support for the SDVoE feature. To determine if your projector supports the SDVoE function, see *Determining if SDVoE is supported (on page 70)* or contact Christie Technical Support.
- When SDVoE is selected, the DisplayPort and SDI inputs are no longer supported.

The input configuration listed below is supported.

Input configuration	Description
One-Port	Enables 2D or 3D connection from an SDVOE source (such as the Christie Terra Transmitter).

For supported video formats for your projector model, see *TruLife+ Supported Video Formats technical reference (P/N: 020-104081-XX)*.

Determining if SDVoE is supported

Follow these steps to determine if the card cage supports SDVoE:

1. Select **Menu > Configuration > Input Settings**.
2. View the options in the Video Input Configuration list.
 - If SDVoE is listed, the projector supports SDVoE.
 - If SDVoE (Unsupported) is listed, the projector does not support SDVoE.

Connecting to a computer with USB

The two USB ports can be used for upgrades, backups, restores, profile management, and interrogator retrieval.

- USB-C 3.0 Interface (the I callout in the Video Input panel image)—USB-C Connector with locking mechanism supporting USB 3.0 protocol (5 Gb/s), power over USB (2 A @ 5 VDC). This port can be used as a high speed data interface.
- USB Type 3.0-A Interface (the K callout in the Video Input panel image)—USB Type A connector with locking mechanism supporting USB 3.0 protocol (5 Gb/s) and power over USB (2 A @ 5 VDC). Intended for data ingest using USB flash drives for the purposes of upgrading, profile management, and interrogator retrieval. This port can be connected to a Christie-recommended WiFi USB device to provide wireless Ethernet control.

For more details (including image and callouts) on the Video Input panel, see *Video Input panel* (on page 63). For information on performing upgrades, backups, restores, profile management, and interrogator retrieval, refer to the *Christie TruLife+ User guide (P/N: 020-103315-XX)*.

Connecting to a computer or server with 10/100/1000 base-T Ethernet

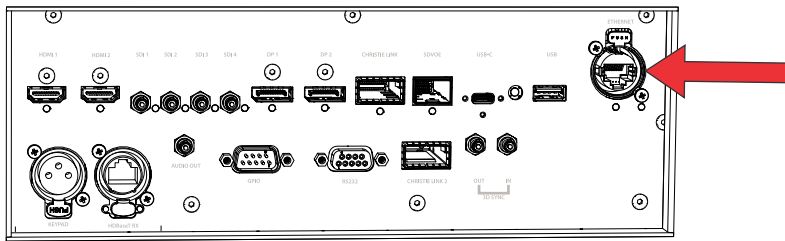
Communicate with a remote computer, server, or an existing network using a RJ-45 cable.

The port located on the Video Input panel (the J callout in the Video Input panel image) uses the Christie proprietary protocol or Art-Net control protocol and is intended for Christie accessories or automation controllers only.

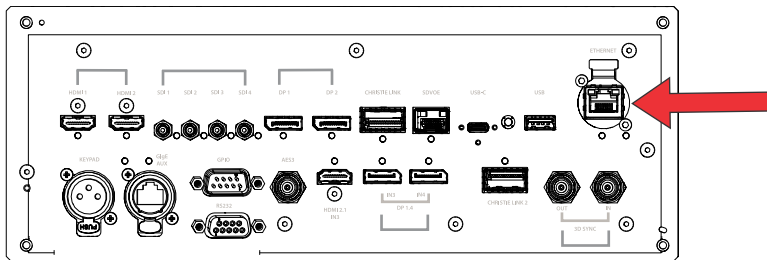
For more details (including image and callouts) on the Video Input panel, see *Video Input panel* (on page 63).

1. Use an RJ-45 cable to connect the Ethernet hub or switch to the Ethernet port, located on the projector Video Input panel.

VOM-IF:



VOM-HBI:



2. When using the Christie serial protocol over Ethernet, connect to port 3002.
3. For applications or equipment using serial communications, use the Christie proprietary serial protocol or Art-Net protocol to communicate with the Ethernet port on the Video Input panel.

Setting up the Ethernet

Ethernet is set up to obtain an IP address automatically if a DHCP server is on the network, modify IP settings, or manually enter an address.



You cannot change the IP settings using the web interface.

1. From the display panel, use the arrow keys to select **IP Settings**.
2. To set the type of network, select **DHCP** or **Static**.
3. If you selected Static, manually enter the network information for the **IP Address**, **Subnet**, and **Gateway**.
4. Select **Apply** and select **Enter**.
5. Select **MENU** > **Communications** > **Network Settings**.
6. Select **Device name**.
7. Use the up and down keys to enter the name of the projector.
8. Select **Enter**.

Communicating with Christie Sapphire 4K40-RGBH through Art-Net

Christie Sapphire 4K40-RGBH supports communications through the Art-Net using the Ethernet connector.

1. Select **MENU** > **Communications** > **Art-Net Settings**.
2. Verify the **Enable Art-Net** option is disabled.

Disabling Art-Net before configuring it ensures Christie Sapphire 4K40-RGBH does not accidentally respond to DMX messages destined for other devices on the network.

3. To specify which subnet the projector belongs to, in the Art-Net Subnet field adjust the value between 0 and 15.
The subnet provides expandability beyond the universe level.
4. To confirm your selection, select **Enter**.
5. To specify which universe the projector belongs to, so it can filter out all other data packets, in the Art-Net Universe field, adjust the value between 0 and 15.
For Art-Net, data is broadcast over an Ethernet network, so every device receives every packet of data, whether the device belongs to that universe or not.
6. To confirm your selection, select **Enter**.
7. To determine the starting channel for this projector, in the Base Channel field, adjust the value between 1 and 488.
If multiple projectors are used on the same universe and are to be controlled independently, this value must be changed. For example, if both projectors are using the Shutter (20 channels), projector 1 should start at base channel 1 and projector 2 should start at base channel 21.
8. To confirm your selection, select **Enter**.
9. Select **Enable Art-Net**.
10. To enable the Art-Net functionality, select **Enter**.

Art-Net channel listing

There are 512 channels per universe. Christie Sapphire 4K40-RGBH specifies 24 channels.



Christie Sapphire 4K40-RGBH has multiple methods of being controlled in addition to Art-Net. If a setting is changed through another interface, the DMX controller can re-assert control by changing the value on the appropriate DMX channel.

Channel	Name	Description	Suggested starting position	Notes
1	Slider Lock	0 to 171 = Locked 172 to 255 = Unlocked	0	—
2	Power	0 to 85 = Powers off the projector (goes into Standby mode) 86 to 171 = Cancel timer 172 to 255 = Powers on the projector (switches light source on, warm up mode)	128	Must be valid for five seconds before it is applied.
3	Shutter	0 to 85 = Closes the shutter (black screen) 172 to 255 = Opens the shutter (live video)	255	Christie recommends setting this channel to 255 prior to powering up the projector so it is consistent with the shutter state after the projector is fully on.

Channel	Name	Description	Suggested starting position	Notes
4	Lens Shift Enable	0 to 171 = Disables lens shift 172 to 255 = Enables lens shift	—	Locks all lens motors.
5	Zoom (Coarse)	0 = Smallest image possible (0%) 255 = Largest image possible (100%)	128	<ul style="list-style-type: none"> • Locked by the Lens Shift Enable channel. • Scaled as a percentage of the total control range. • A 250 ms delay exists before sending this channel to the projector.
6	Zoom (Fine)			
7	Focus (Coarse)	0 = 0% 255 = 100%	128	<ul style="list-style-type: none"> • Locked by the Lens Shift Enable channel. • Scaled as a percentage of the total control range. • A 250 ms delay exists before sending this channel to the projector.
8	Focus (Fine)			
9	Lens Horizontal Position (Coarse)	0 = Full left position (0%) 255 = Full right position (100%)	128	<ul style="list-style-type: none"> • Locked by the Lens Shift Enable channel. • A 250 ms delay exists before sending this channel to the projector.
10	Lens Horizontal Position (Fine)			
11	Lens Vertical Position (Coarse)	0 = Full lower position (0%) 255 = Full upper position (100%)	128	<ul style="list-style-type: none"> • Locked by the Lens Shift Enable channel. • A 250 ms delay exists before sending this channel to the projector.
12	Lens Vertical Position (Fine)			
13	Input	1 to 80 = Input index 86 = Load 91 to 170 = Additional input indices 171 = Execute	0	To change inputs, send the following sequence: Load > Input index > Execute Channel 1 slider lock can be used if a keypad is not available for the input selection.
14	Fade Time	0 = 0 seconds 250 = 2.5 seconds	—	Determines the length of time it takes for the shutter to open and close with a fading effect.
15 to 24	Reserved	Reserved for future use.	—	—

Index list for the input channel

the following table provides the index information for the input channel.



Not all options listed in the table are available. Available options depend on the Video Input configuration option selected: **Default** or **SDVoE**.

Input index	Description
0	One-port HDMI0
1	One-port HDMI1
2	Reserved for future use
3	One-port DisplayPort0
4	One-port DisplayPort1
5	Reserved for future use
6	One-port SDI0
7	One-port SDI1
8	One-port SDI2
9	One-port SDI3
11	One-port SDVoE
12	Christie Link A
14	One-port VOM-HDMI (2.1)
15	One-port VOM-DP0 (1.4)
16	One-port VOM-DP1 (1.4)
20	Two-port HDMI
21	Two-port DisplayPort
22	Four-port SDI
23	Two-port VOM-DisplayPort
30	One-port, dual-input 3D L:HDMI0, R:HDMI1
31	One-port, dual-input 3D L:DP0, R:DP1
32	One-port, dual-input 3D L:SDI0, R:SDI1
33	One-port, dual-input 3D L:SDI2, R:SDI3
35	One-port, dual-input 3D L:VOM-DP0, R:VOM-DP1

Configuring the 3D Sync in/3D Sync out interface

The 3D sync interface is supported for 3D-enabled projectors (the M callout in the Video Input panel image). A Mirage license is required.

For more details (including image and callouts) on the Video Input panel, see *Video Input panel* (on page 63).

The projector can configure the 3D output sync port to supply an output synchronized right eye/left eye signal for:

- Another projector
- 3D glasses emitter

The 3D sync input and output interface connector (mini BNC for VOM-IF and standard BNC on VOM-HBI) is a micro 75 ohm BNC connector.

Configuring the RS232 port

Configure the RS232 port to send Christie serial commands using a standard RS232 serial cable (the R callout in the Video Input panel image).

For more details (including image and callouts) on the Video Input panel, see *Video Input panel* (on page 63).

For more information, on the serial commands, see the *Christie TruLife+ Serial Commands guide (P/N: 020-103316-XX)*.

1. Select **Menu > Communications > Projector Communication**.
2. Use the down arrow to select **Baud Rate**.
3. Select the appropriate baud rate and select **Enter**.
4. Use the down arrow to select **Network Routing**.
5. Select the type network routing appropriate for your projector and select **Enter**.

Configuring the GPIO

The Generic Purpose Input Output (GPIO) provides a flexible method of interfacing with external devices to the projector.

The GPIO is configured to automate real time events. Each of the seven pins is defined as either an input or output depending on the required outcome. The remaining two pins are reserved for ground and power.

Configure the pin as an input if you want the projector to respond to something the device does and as an output if you want the external device to respond to an action taken by the projector. For example, configure the pin as an output if you want the lighting in a room to automatically dim when the projector is turned on.



This feature is only available on the web interface.

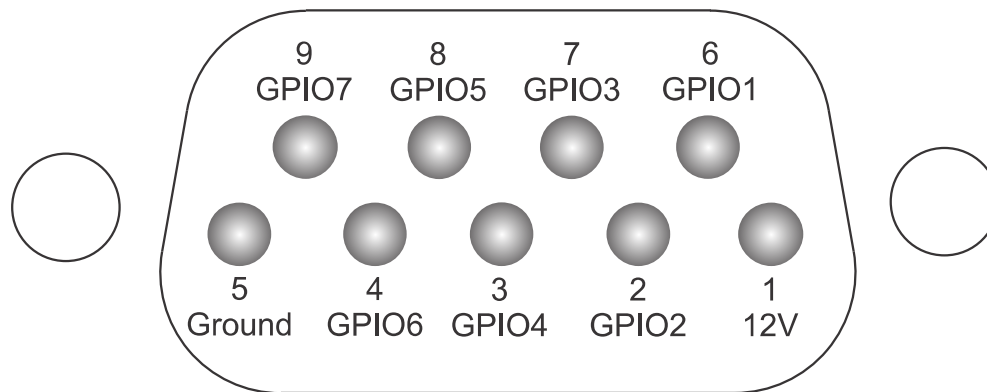
1. From the home page of the web interface, select **Macros and GPIO**.
2. Select **GPIO Configuration**.

- In the GPIO Configuration dialog under Update the New Configuration, toggle the pins you want active for the input and output.
A blue pin indicates input and a green pin indicates output.
- Select **Apply**.

GPIO connector

The GPIO connector located on the input panel (the S callout in the Video Input panel image) provides a flexible method of interfacing with the projector. Seven GPIO pins are available on the nine pin D-Sub GPIO connector. Two other pins are reserved for ground and power.

For more details (including image and callouts) on the Video Input panel, see *Video Input panel* (on page 63).



D-SUB pin number	Signal	Output high (Voh)	Notes
Pin 1	+12V	—	1A max
Pin 2	GPIO 2	5V	75mA max (e)fused to prevent damage
Pin 3	GPIO 4		
Pin 4	GPIO 6		
Pin 5	Ground	—	—
Pin 6	GPIO 1	5V	75mA max (e)fused to prevent damage
Pin 7	GPIO 3		
Pin 8	GPIO 5		
Pin 9	GPIO 7		

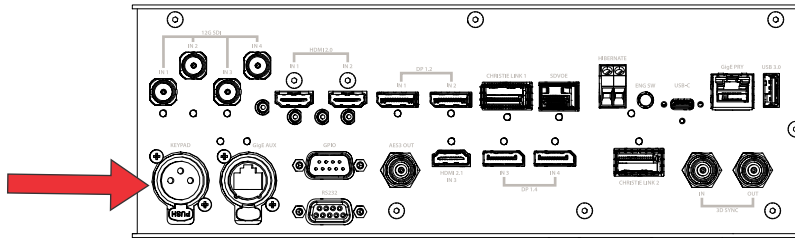


All GPIO pins are weakly pulled up to 3.3V.

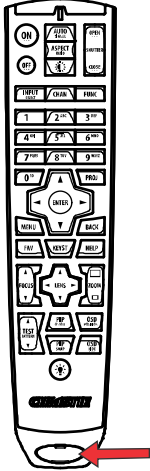
Enabling the wired remote keypad

The wired remote keypad interface supports the NEC IR communication protocol.

- Connect the remote cable in the Wired keypad port on the Video Input panel.



2. Connect the remote cable in the bottom of the remote.



3. On the projector, select **MENU > Communications > Projector Communications.**
4. To enable a wired version of the remote, select **Wired Keypad Enabled** and select **Enter.** By default this feature is enabled.

3D setup

The projector is capable of displaying stereoscopic 3D video sources, relying on additional hardware (stereo emitters and glasses) to complete the display system.

Images generated from a stereo 3D video source consist of a series of images (frames) that alternate quickly between two slightly different viewpoints, corresponding to our left and right eyes. When these frames are displayed fast enough and viewed with special glasses synchronized to the left/right (L/R) changes, the resulting image appears with the same depth and perspective sense in the real world.

3D requirements

Stereo 3D applications require a stereo 3D-capable source, special hardware and software setups, and the projector's 3D Settings menu option to control the projector's processing, synchronization, and displaying of the stereoscopic 3D source material.

Hardware requirements

Understand the hardware requirements for stereo 3D applications.

- Christie Sapphire 4K40-RGBH projector with a Mirage license
 - 3D stereo sync cable for direct-input 3D (and frame doubled)
 - A source, usually a computer with a 3D graphics card(s)
 - Emitter for controlling active shutter glasses
- or

A qualified device that mounts in front of the lens of the projector to process the light from the lens into a passive polarized light. Contact your Immersive dealer for more information.

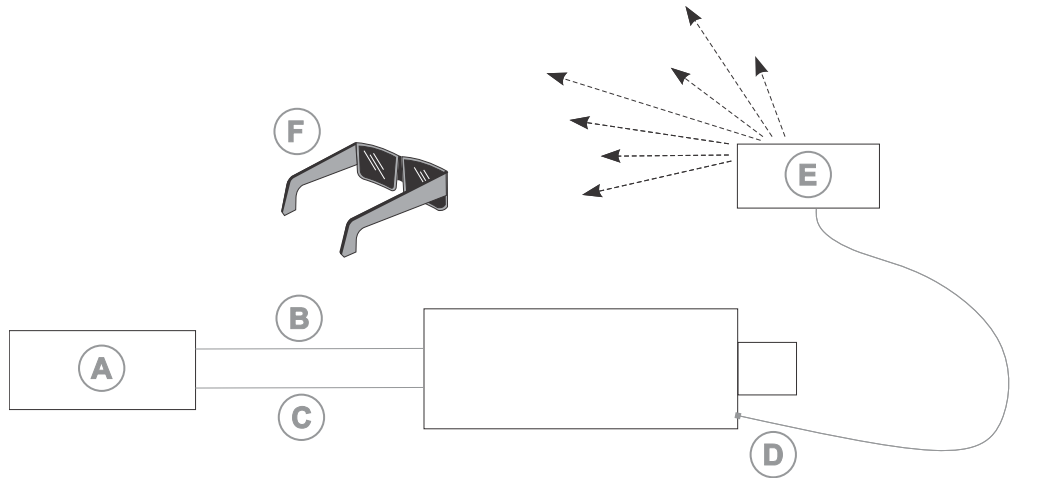
Software and content requirements

Understand the software and content requirements for stereo 3D applications.

- Any 3D computer software that supports 3D stereo on a supported computer(s) with associated graphic cards (suggested cards include AMD or NVIDIA)
- A video stream from a video source prepared to be sequential content (for direct-input 3D) or two video streams from a video source that has been prepared to be supplied left eye and right eye concurrently and frame locked (dual-input 3D)

Active stereo 3D configuration

Use the following diagram to understand a typical hardware configuration for active stereo 3D systems.



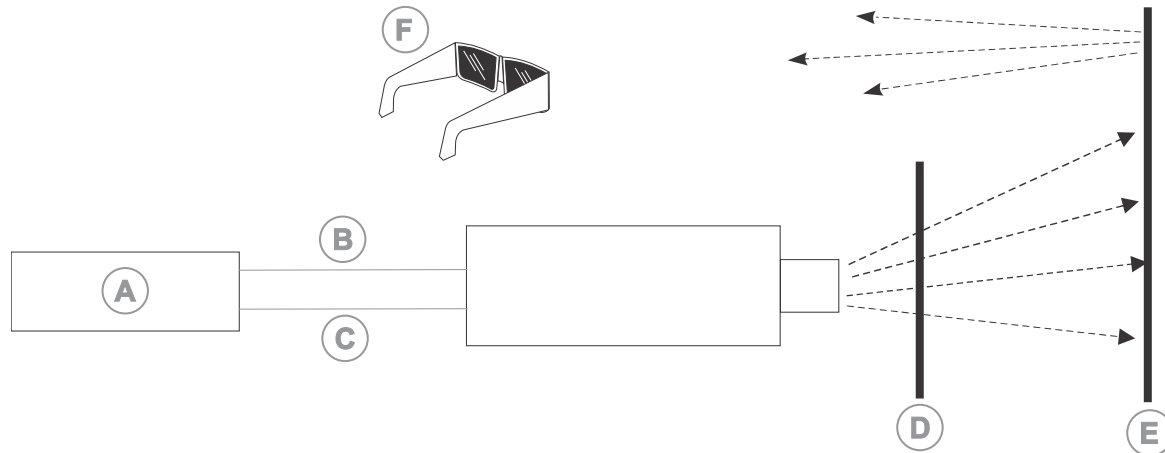
- A—Server/PC with stereo 3D-capable video sources
- B—L/R sync signal (3D-direct input only)
- C—3D direct or 3D dual-input connections
- D—3D stereo synch cable
- E—IR emitter
- F—Active glasses



In response to the 3D Sync Out signal from the projector, the IR emitter emits an infrared signal to a receiver in the active 3D shutter glasses. This synchronizes the active glasses to alternatively open and close for the active stereo 3D applications.

Passive stereo 3D configuration

Use the following diagram to understand a typical hardware configuration for passive stereo 3D systems.



- A—Server/PC with stereo 3D-capable video sources
- B—L/R sync signal (3D-direct input only)
- C—3D direct or 3D dual-input connections
- D—3D active filter cell
- E—Polarization maintaining screen
- F—Passive polarizing glasses

3D system timing

The projected video must be optimized for the glasses’ shutter speed or polarization filter performance to prevent obvious “ghosting” of the video content (known as cross-talk in stereo 3D applications) or other more subtle color artifacts.

Visual performance can be optimized by adjusting the Dark Interval and the 3D Sync Delay settings. Consult the documentation for your glasses or polarization filter and keep their specifications in mind when configuring the projector for 3D operation.

3D input video configurations

The stereo 3D input video stream may be supplied from the video server to the projector in two configurations: direct-input 3D or dual-input 3D.

Configuration	Description
Direct-input 3D	<p>In this configuration a single video stream is provided by the video server, with the left eye and right eye frames supplied as alternate frames within the video stream. A 3D input sync may be used to identify the left eye frames.</p> <p>The direct-input 3D video stream may be supplied by a One-Port input video configuration (such as one cable supplying the entire frame).</p>

Configuration	Description
Dual-input 3D	<p>In this configuration two video streams are provided by the video server, with the left eye supplied by one stream and the right eye supplied by the other. The video streams are frame locked and supplied concurrently.</p> <p>The dual-input 3D video streams may be supplied by two One-Port input video configurations (such as one cable supplying the entire frame for each eye, with a total of two cables).</p>

Setting up a single projector to display 3D content

The projector must be installed correctly to display 2D content (optically aligned, focused, and so on) before completing the following steps to display the 3D content.

1. *Enable 3D mode* (on page 81).
2. *Confirm the emitter setup* (on page 81).
3. *Configure the projector for the 3D source* (on page 82).

Enabling 3D mode

Select the mode for your 3D operation.

1. To enable 3D mode, select **MENU > Image Settings > 3D Settings > 3D Mode**.
2. Select the appropriate 3D mode:
 - Off—Disable the 3D operation.
 - Auto Detect—Automatically determine which 3D mode to use based on auxiliary video data, for example, HDMI info frame.
 - Multi-Flash 3D—Display content multiple times to provide a 3D image.

Confirming the emitter setup

Define whether the 3D Sync is output and control how it is processed.

1. To set the 3D output to emitter, select **MENU > Image Settings > 3D Settings > 3D Sync Output**.
2. Select **To Emitter**.
3. Select **Enter**.
4. To enable the 3D test pattern, select **3D Test Pattern**.
5. Select **Enter**.
6. To configure the dark interval so the amount of dark time aligns with the amount of time required for the glasses to switch, select **Dark Interval**.
7. Adjust the slider or enter the dark interval value as required.
8. To confirm your selection, select **Enter**.

9. View the displayed test pattern. If you can see both Ls and Rs with both eyes, increase the dark interval until the Ls are only visible to the left eye and the Rs are only visible to the right eye.
10. Optionally, to adjust the 3D Sync delay, select **3D Sync Delay**.
This adjusts the timing of the sync pulse in relation to the dark time transition on the DMDs. Use the default value of 0 as a starting point.
11. Adjust the slider or enter the delay value.
12. To confirm your selection, select **Enter**.

Configuring the projector for the 3D source

Configure the projector for the 3D source.

1. Select the *appropriate port configuration* (on page 66) and then set the *inputs for your video source* (on page 67).
2. To select the correct EDID timing, select **MENU > Configuration > Input Settings > EDID Timing**.
3. Select the required EDID timing and select **Enter**.
4. Connect all the required cables between the 3D source and the projector.
5. Configure your 3D source.

Connecting devices to the 3D sync ports

The 3D Sync Input and Output ports located on the Video Input panel provide a convenient method for interfacing the projector to the 3D stereo projection system.

Connect the 3D Sync Input to the video source for synchronization of the left eye/right eye frames of Direct input 3D or for frame doubled content.

The 3D Sync Input is not required for Dual-Input 3D. The 3D Sync Output is available for control of an IR Emitter for active glasses or a polarization device for passive glasses.

Color comb 3D setup

The projector is capable of displaying color comb 3D video sources, using a different color filter for each eye that blocks the color for the other.

Once the color comb 3D filter is installed in the projector and the board is connected, the projector recognizes the 3D application. When content is sent to the projector, it is directed to the left-eye and right-eye projectors.

3D requirements

Stereo 3D applications require a stereo 3D-capable source, special hardware and software setups, and the projector's 3D Settings menu option to control the projector's processing, synchronization, and displaying of the stereoscopic 3D source material.

Hardware requirements

Understand the hardware requirements for color comb 3D applications.

- Two projectors using one of the two configurations:
 - Two Christie Sapphire 4K40-RGBH projectors
 - One or two Christie Sapphire 4K40-RGBH projectors and one Griffyn 4K35-RGB or Griffyn 4K50-RGB projector
- 3D stereo sync cable for direct-input 3D (and frame doubled)
- A source, usually a computer with a 3D graphics card(s)
- 3D filter for each projector, depending on the configuration:
 - Left-eye 3D 66 mm filter for Christie Sapphire 4K40-RGBH (P/N: 177-101103-XX)
 - Right-eye 3D 66 mm filter for Christie Sapphire 4K40-RGBH (P/N: 177-102104-XX)
 - Right-eye 3D 50.5 mm filter for Griffyn 4K35-RGB or Griffyn 4K50-RGB (P/N: 177-103105-XX)

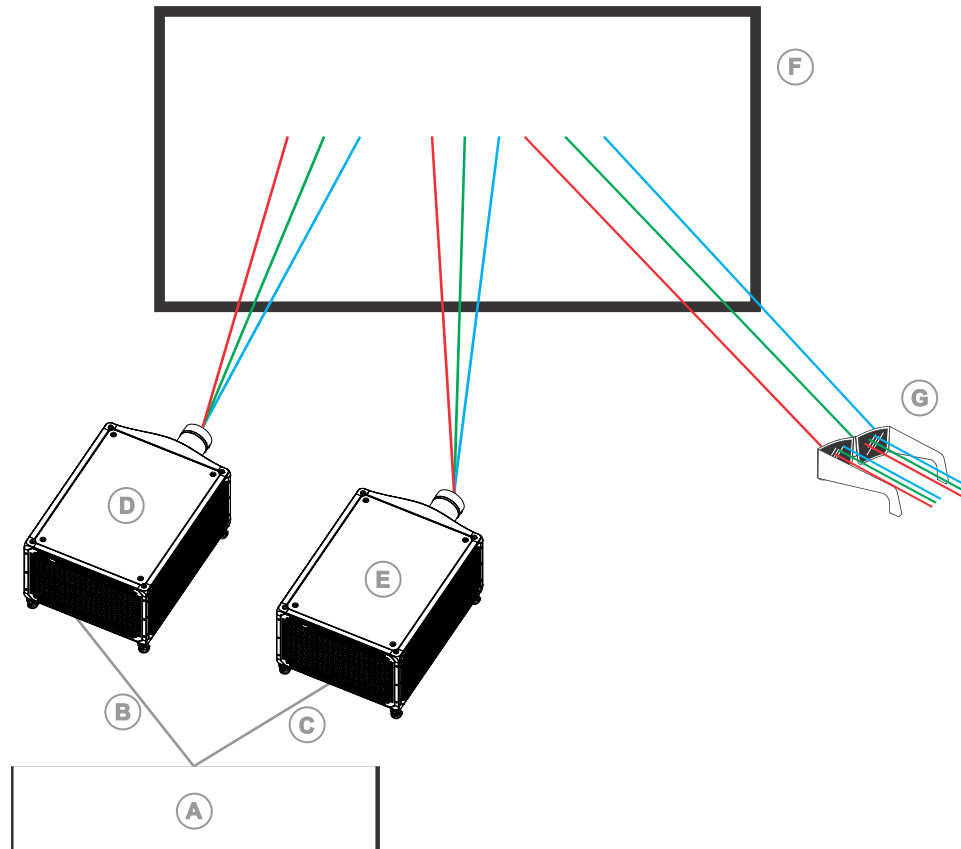
For filter installation information for Christie Sapphire 4K40-RGBH, see *Installing an intelligent filter holder (IFH)* (on page 40). For filter installation information for Griffyn 4K35-RGB and Griffyn 4K50-RGB, see the *Installing Optical Filters instruction sheet* (P/N: 020-104087-XX).

Software and content requirements

Color comb 3D requires a minimum of two video streams from a video source that has been prepared to be supplied left-eye and right-eye concurrently and frame locked (dual-input 3D).

Color comb 3D configuration

Use the following diagram to understand a typical hardware configuration for color comb 3D systems.



- A—Server/PC with stereo 3D-capable video sources
- B—Left-eye sync signal
- C—Right-eye sync signal
- D—Christie Sapphire 4K40-RGBH projector
- E—Christie Sapphire 4K40-RGBH or Griffyn Series projector
- F—Screen
- G—Color comb 3D glasses

Regulatory

This product conforms to the latest regulations and standards related to product safety, environmental, and electromagnetic compatibility (EMC) requirements.

Safety

- IEC 62368-1:2018 - Audio/Video, Information And Communication Technology Equipment - Part 1: Safety Requirements
- BS EN 62368-1:2014 - Audio/Video, Information And Communication Technology Equipment - Part 1: Safety Requirements
- UL 62368-1:2018 - Audio/Video, Information And Communication Technology Equipment - Part 1: Safety Requirements
- CSA CAN/CSA-22.2 No. 62368-1:2018 - Audio/Video, Information And Communication Technology Equipment - Part 1: Safety Requirements
- IEC/EN 62471-5 – Photobiological Safety of Lamps and Lamp Systems – Part 5: Image projectors
- IEC 60825-1:2014 - Safety of Laser Products - Part 1: Equipment Classification and Requirements
- EN 60825-1:2014+A11:2021 - Safety of Laser Products - Part 1: Equipment Classification and Requirements
- ANSI Z136.1:2014 – Safety of Lasers

Electro-magnetic compatibility

Emissions

- FCC CFR47, Part 15, Subpart B, Class A – Unintentional Radiators
- CAN ICES-003 (A)/NMB-003 (A) – Information Technology Equipment (Including Digital Apparatus) – Limits and Methods of Measurement
- CISPR 32/EN 55032, Class A – Electromagnetic Compatibility of Multimedia Equipment – Emission Requirements
- IEC/EN 61000-3-2 – Limits for Harmonic Current Emissions
- IEC/EN 61000-3-3 – Limitations of Voltage Changes, Voltage Fluctuations, and Flicker

Immunity

- CISPR 35/EN 55035 Electromagnetic compatibility of multimedia equipment - Immunity requirements

California law on security

- California Law Requiring Internet Connected Devices To Include Reasonable Security Features (California Civil Code Section 1798.91.04)

Environmental

- EU Directive (2011/65/EU) on the restriction of the uses of certain hazardous substances (RoHS) in electrical and electronic equipment and the applicable official amendment(s).
- EU Directive (2012/19/EU) on waste and electrical and electronic equipment (WEEE) and the applicable official amendment(s).
- Regulation (EC) No. 1907/2006 on the registration, evaluation, authorization and restriction of chemicals (REACH) and the applicable official amendment(s).
- China Ministry of Information Industry (along with 7 other Government Agencies) Order No.32 (01/2016) on the control of pollution caused by electronic information products, hazardous substances concentration limits (GB/T 26572 - 2011), and the applicable product marking requirement (SJ/T 11364 - 2014).

International packaging recycling mark requirements.

- EU Directive (2012/19/EU) on waste and electrical and electronic equipment (WEEE) and the applicable official amendment(s).
- EU Directive (94/62/EC) on packaging and packaging waste
- China packaging recycling mark standard (GB18455-2001)