

Christie Solaria One

Alternative/Local content presentations
Digital cinema exhibition
High Frame Rate compatible
Post production



One complete projection system. Global appeal.

Investing in a new digital cinema system that meets both patron and DCI standards can be expensive – especially if distributor-backed financing isn't available. But, the industry is moving to a digital model and you need to keep up to stay competitive. Christie® has created an affordable solution that will captivate audiences – anywhere in the world. The Christie Solaria® One is a high-value projection system that's perfect for screens up to 9144mm.

The Christie Solaria One is a single digital cinema projection system, complete with a lens, custom-designed Xenon lamp, and a Christie Integrated Media Block (IMB) with its own easy-to-operate Screen

Management Software (SMS). This is the most reliable, DCI-compliant, digital cinema projector available today. It's easy to operate and maintain. And the Christie Solaria One has the lowest total cost of ownership on the market today.

The Christie Solaria One makes digital cinema conversion affordable, possible – a reality.



▲ With a built-in Christie IMB and easy-to-operate SMS, Solaria One is the most reliable, DCI-compliant digital projection system available.

Christie Solaria One

138-001102-01

Built for long term reliability and low cost of ownership, the Christie Solaria One delivers 8000 lumens within the DCI color space and more than 9000 lumens when presenting alternative content. With brilliant Xenon illumination and S2K DLP Cinema® technology, Solaria One produces the highest quality images at the lowest possible total cost.

With the ability to display DCI content, alternative and local content, 3D and High Frame Rate (HFR) content, Christie Solaria One gives you the flexibility you've been waiting for. Feature film content is displayed using the built-in Christie IMB, linked directly to external commodity storage systems, reducing your overall system cost and providing unparalleled flexibility. The Solaria One also offers HFR upgrade capabilities and streaming MPEG2/H.264 support for advertising and alternative content. For external alternative content sources, the Christie Solaria One has dual DVI/HDMI inputs, configurable for both 2D and 3D operation.

Christie Solaria One supports all external 3D systems. For higher brightness 3D presentations, the Christie Solaria One can be easily stacked for a dual projection 3D presentation.

Christie Solaria One+

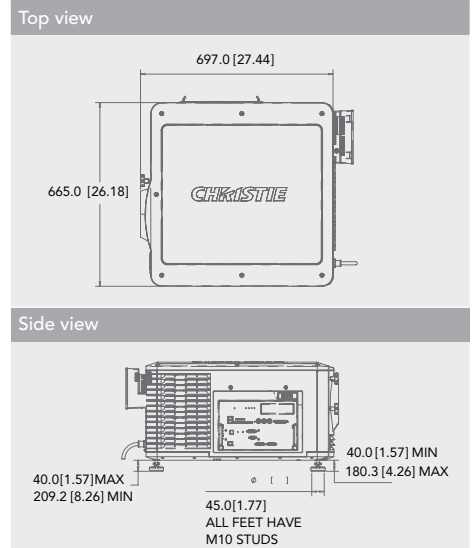
Built for cinemas with side masking and post production houses, the Christie Solaria One+ option includes the following additional features:

- Motorized lens mount
- Higher performing lens suite for ultimate image sharpness and uniformity
- Overdrive capabilities to attain 9000 lumens within the DCI color space

Key features:

- S2K DLP Cinema
- Fully DCI compliant
- Xenon illumination
- 3D ready
- High value system design, low cost of ownership
- Integrated Christie IMB and SMS
- Lens and custom-designed high value lamp included
- Touch panel controller with intuitive Graphical User Interface (GUI)
- HFR upgradable
- Uses commodity storage devices
- Standard support for HDCP
- Streaming MPEG2/H.264 support
- Quick, easy rear access to the lamp
- Backed by a single, dedicated technical support team

Specifications	Christie Solaria One	
Brightness ¹	lamp	<ul style="list-style-type: none"> • 2.1kW (CDXL-21S1) 003-004258-01 • 1.6kW (CDXL-16M) 003-003900-01 • 1.4kW (CXL-14M) 003-003066-01
	nominal	• 8000 lumens with DCI color space and 9000 with native color space
	screen size	• <9144mm maximum screen size
Contrast ratio	• >1850:1 full field on/off	
Digital micromirror device	<ul style="list-style-type: none"> • 0.69" S2K 3-chip DMD DLP Cinema • 2048 x 1080 pixels 	
Input line voltage	• Single phase 220V	
Number of colors	• 35.2 trillion	
Lenses	<ul style="list-style-type: none"> • 1.2-1.7:1 zoom lens • 1.34-1.9:1 zoom lens • 1.5-2.15:1 zoom lens • 1.7-2.55:1 zoom lens • 2.0-3.9:1 zoom lens 	
Power supply	• 700W-2.1kW low-ripple switch mode lamp power supply	
Weight	• As installed: 52.6kg	
Accessories	<ul style="list-style-type: none"> • HFR software upgrade • 90" extraction duct adapter 119-103105-01 • Rack mount stand (fully assembled) 108-416102-01 • Rear feet lock downs 119-100101-01 	



¹Maximum screen size depends upon various factors such as screen gain, lamp age, geometry, etc. Consult your Christie representative for detailed analysis. Measured at screen center.

Corporate offices

Christie Digital Systems USA, Inc
USA – Cypress
ph: 714 236 8610

Christie Digital Systems Canada Inc.
Canada – Kitchener
ph: 519 744 8005

Worldwide offices

United Kingdom
ph: +44 (0) 118 977 8000

Germany
ph: +49 2161 664540

France
ph: +33 (0) 1 41 21 44 04

Spain
ph: +34 91 633 9990

Eastern Europe
ph: +36 (0) 1 47 48 100

United Arab Emirates
ph: +971 4 3206688

South Africa
ph: +27 (0) 11 510 0094

India
ph: +91 80 6708 9999

Singapore
ph: +65 6877 8737

China (Shanghai)
ph: +86 21 6278 7708

China (Beijing)
ph: +86 10 6561 0240

Japan (Tokyo)
ph: 81 3 3599 7481

Korea (Seoul)
ph: +82 2 702 1601

Independent sales consultant offices

Italy
ph: +39 (0) 2 9902 1161

Russia
ph: +7 (495) 930-8961



DLP Cinema® Technology
2009 Academy Scientific and Engineering Award for Color Accuracy

A.M.P.A.S.® Recipients of the 2009 Academy Plaque are D. Scott Dewald, Greg Perrett, Brad Walker and Bill Wiener.



ISO 9001
ISO 14001
Kitchener, Ontario



For the most current specification information, please visit www.christiedigital.com

Copyright 2012 Christie Digital Systems USA, Inc. All rights reserved. All brand names and product names are trademarks, registered trademarks or tradenames of their respective holders. Christie Digital Systems Canada Inc.'s management system is registered to ISO 9001 and ISO 14001. Performance specifications are typical. Due to constant research, specifications are subject to change without notice. Printed in Canada on recycled paper. 3331 EMEA June 12

CHRISTIE