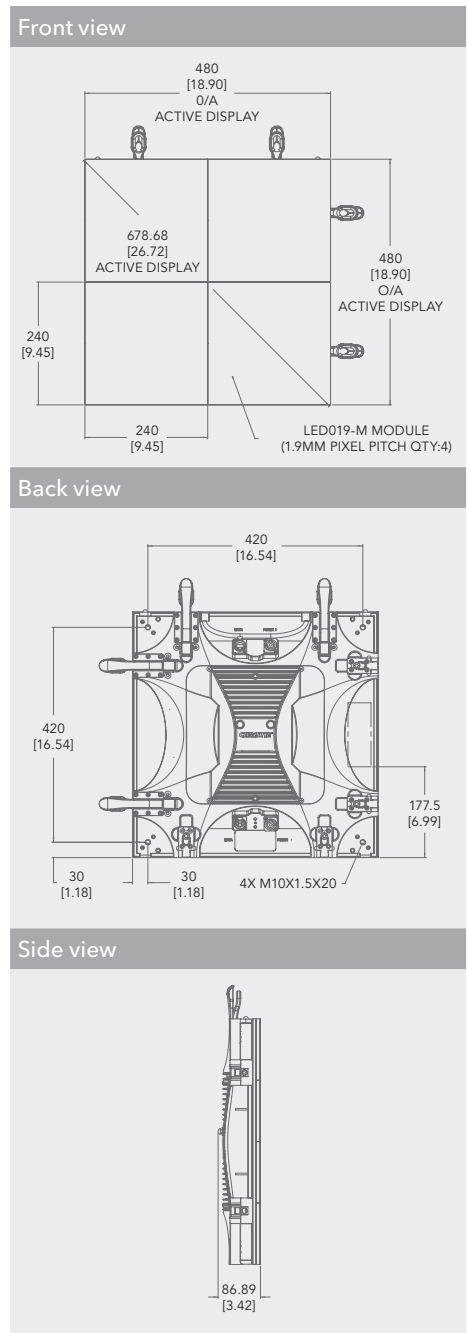


# Christie Velvet - Merit Series

## 1.9mm Indoor LED tile

Technical specifications		Christie LED019-M
<b>Display technology</b>	pixel pitch	• 1.9mm
	pixel configuration	• 3-in-1 (1R1G1B)
	pixel density	• 275,846 pixels/m <sup>2</sup>
	maximum calibrated brightness	• 800 nits (cd/m <sup>2</sup> )
	aspect ratio	• 1:1
	contrast ratio (full field)	• 5000:1
	viewing angle	• 160° H, 140° V
	refresh rate	• ≥3200Hz
	scan rate	• 1/14
	color temperature	• 2700-9300K
	color space	• 110% NTSC
	display colors	• 281 trillion
<b>Signal</b>	inputs	• HDMI (HDCP) • DVI (HDCP)
<b>Power</b>	input rating	• 100-240 VAC @ 50-60Hz
	power consumption per cabinet	• 44W typical • 130W maximum
	heat output	• 120 BTU/hr typical • 355 BTU/hr maximum
<b>Environment</b>	operating temperature	• 32-104°F (0-40°C)
	operating humidity	• 10-90% non-condensing
	storage temperature	• 14-131°F (-10-55°C)
	environment	• Indoor
	IP rating	• 30
	LED lifespan (50% brightness)	• 100,000 hrs
	runtime	• 24/7
	<b>Physical</b>	tile dimensions (installed)
tile area		• 2.48 ft <sup>2</sup> (0.2304m <sup>2</sup> )
tile resolution		• 252 x 252 pixels
tile weight		• 23.4lbs (11.5kg)
cabinet design		• Die-cast aluminum
service access		• Front and rear service only
module dimensions		• (WxH): 9.45 x 9.45" (240.0 x 240.0mm)
module resolution		• 126 x 126 pixels
installation options		• Flat • hanging • concave
stacking height		• 20 units <sup>1</sup>
orientation		• 360 degrees <sup>2</sup>
<b>Certification</b>	• UL60950 • FCC • CE • EMC RoHS, RCM	
<b>Warranty</b>	<ul style="list-style-type: none"> <li>• Three year parts and labor limited warranty</li> <li>• Contact an authorized Christie representative for full details of our limited warranty</li> <li>• Extended warranty option available for a one-time fee at time of purchase</li> </ul>	

<sup>1</sup> With appropriate structure. Contact Christie if height exceeds 20 units.  
<sup>2</sup> Varies by local building codes.



**United Kingdom**  
 Branch & EMEA  
 Head Office  
 ViewPoint  
 200 Ashville Way  
 Wokingham  
 Berkshire, U.K.  
 RG41 2PL  
 PH: +44 (0) 118 977 8000

**Middle East**  
 Light Industrial Unit (LIU-17)  
 Nad Al Shibba  
 Sheikh Mohammed Bin Zayed Road  
 Dubai Silicon Oasis  
 PO Box: 293762  
 Dubai - U.A.E  
 PH: +971 (0) 4 503 6800

**Africa**  
 Unit C3  
 Northlands Deco Park  
 New Market Road  
 Northriding  
 Randburg  
 2164  
 Johannesburg  
 Gauteng  
 South Africa  
 PH: +27 71 335 8667

### Other EMEA offices

**Germany**  
 Branch Office  
 PH: +49 2161 566 200

**France**  
 Branch Office  
 PH: +33 (0) 1 41 21 44 04

**Eastern Europe**  
 Representative Office  
 PH: +36 (0)1 47 48 138

**Spain**  
 Branch Office  
 PH: +34 91 633 9990

**Italy**  
 Independent Sales Consultant Office  
 PH: +39 (0) 2 9902 1161

**Russia**  
 Independent Sales Consultant Office  
 PH: +7 (495) 930-8961

For the most current specification information, please visit [www.christieemea.com](http://www.christieemea.com)

Copyright 2016 Christie Digital Systems USA, Inc. All rights reserved. All brand names and product names are trademarks, registered trademarks or tradenames of their respective holders. Christie Digital Systems Canada Inc.'s management system is registered to ISO 9001 and ISO 14001. Performance specifications are typical. Due to constant research, specifications are subject to change without notice. Printed in Canada on recycled paper. 4148 Nov 16

**CHRISTIE®**