

Christie Velvet - Merit Series

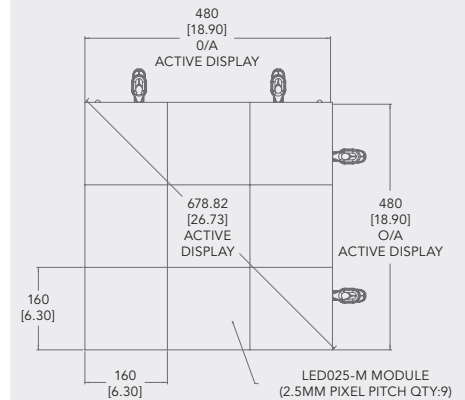
2.5mm Indoor LED tile

Technical specifications		Christie LED025-M
Display technology	pixel pitch	• 2.5mm
	pixel configuration	• 3-in-1 (1R1G1B)
	pixel density	• 160,000 pixels/m ²
	maximum calibrated brightness	• 800 nits (cd/m ²)
	aspect ratio	• 1:1
	contrast ratio (full field)	• 5000:1
	viewing angle	• 160° H, 140° V
	refresh rate	• ≥3200Hz
	scan rate	• 1/16
	color temperature	• 2700-9300K
	color space	• 110% NTSC
	display colors	• 281 trillion
	Signal	inputs
Power	input rating	• 100-240 VAC @ 50-60Hz
	power consumption per cabinet	• 40W typical • 120W maximum
	heat output	• 109 BTU/hr typical • 328 BTU/hr maximum
Environment	operating temperature	• 32-104°F (0-40°C)
	operating humidity	• 10-90% non-condensing
	storage temperature	• 14-131°F (-10-55°C)
	environment	• Indoor
	IP rating	• 30
	LED lifespan (50% brightness)	• 100,000 hrs
	runtime	• 24/7
	Physical	tile dimensions (installed)
tile area		• 2.48 ft ² (0.2304m ²)
tile resolution		• 192 x 192 pixels
tile weight		• 23.4lbs (11.5kg)
cabinet design		• Die-cast aluminum
service access		• Front and rear service only
module dimensions		• (WxH): 6.3 x 6.3" (160.0 x 160.0mm)
module resolution		• 64 x 64 pixels
installation options		• Flat • hanging • concave
stacking height		• 20 units ¹
orientation		• 360 degrees ²
Certification	• UL60950 • FCC • CE • EMC RoHS, RCM	
Warranty	<ul style="list-style-type: none"> • Three year parts and labor limited warranty • Contact an authorized Christie representative for full details of our limited warranty • Extended warranty option available for a one-time fee at time of purchase 	

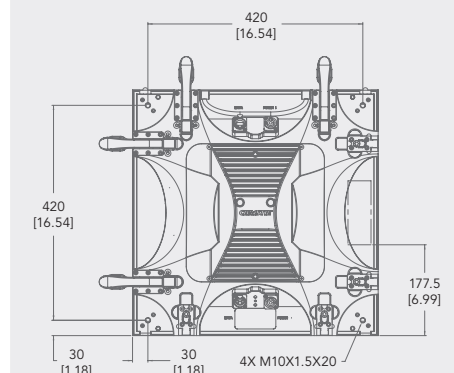
¹ With appropriate structure. Contact Christie if height exceeds 20 units.

² Varies by local building codes.

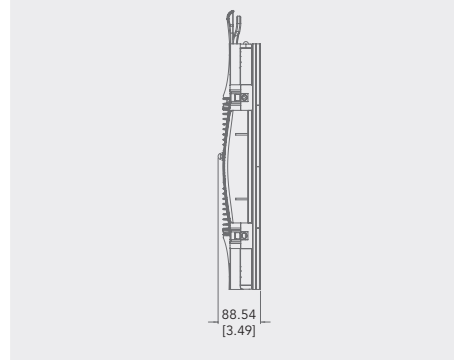
Front view



Back view



Side view



United Kingdom
Branch & EMEA
Head Office
ViewPoint
200 Ashville Way
Wokingham
Berkshire, U.K.
RG41 2PL
PH: +44 (0) 118 977 8000

Middle East
Light Industrial Unit (LIU-17)
Nad Al Shibba
Sheikh Mohammed Bin Zayed Road
Dubai Silicon Oasis
PO Box: 293762
Dubai - U.A.E
PH: +971 (0) 4 503 6800

Africa
Unit C3
Northlands Deco Park
New Market Road
Northriding
Randburg
2164
Johannesburg
Gauteng
South Africa
PH: +27 71 335 8667

Other EMEA offices

Germany
Branch Office
PH: +49 2161 566 200

France
Branch Office
PH: +33 (0) 1 41 21 44 04

Eastern Europe
Representative Office
PH: +36 (0)1 47 48 138

Spain
Branch Office
PH: +34 91 633 9990

Italy
Independent Sales Consultant Office
PH: +39 (0) 2 9902 1161

Russia
Independent Sales Consultant Office
PH: +7 (495) 930-8961



For the most current specification information, please visit www.christieemea.com

Copyright 2016 Christie Digital Systems USA, Inc. All rights reserved. All brand names and product names are trademarks, registered trademarks or tradenames of their respective holders. Christie Digital Systems Canada Inc.'s management system is registered to ISO 9001 and ISO 14001. Performance specifications are typical. Due to constant research, specifications are subject to change without notice. Printed in Canada on recycled paper. 4149 Nov 15

CHRISTIE