

# Christie CP2208

Digital cinema  
Alternative/local content  
Post production



## A compact digital cinema projection solution with global appeal

Investing in a new digital cinema projection system that meets DCI standards can be a significant investment – especially if distributor-backed financing isn't available. Christie® has created an affordable and compact DCI-compliant solution to deliver audience-captivating content in theaters around the world.

The Christie CP2208 gives theater owners a choice of lens and Xenon lamp options, as well as an optional integrated media block (IMB-S2) with easy-to-operate Screen Management Software (SMS). As a compact solution, the CP2208 projector provides the lowest cost of ownership on the market for affordable digital conversion.

**CHRISTIE®**

# Christie CP2208

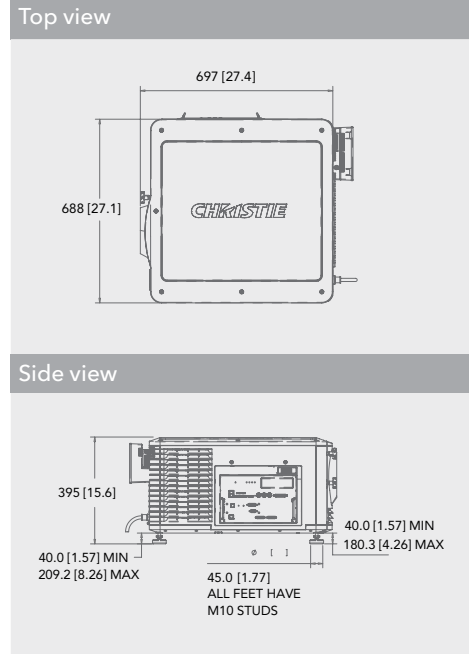
With the ability to display DCI, 3D, High Frame Rate (HFR), alternative and local content, this projector takes superior performance coupled with flexibility and affordability to a new level. Feature film content can be displayed using the optional Christie integrated media block (IMB-S2)<sup>1</sup> or another popular Series-2 integrated media block (IMB) system<sup>2</sup> using the open IMB slot. This will help to reduce your overall system cost and increase overall system reliability. The Christie CP2208 also offers HFR upgrade capabilities and support for advertising and alternative content. For external alternative content sources, the Christie CP2208 has dual DVI/HDMI inputs, configurable for both 2D and 3D operation.

Christie CP2208 supports all external 3D systems. If you require higher brightness for 3D presentations, Christie CP2208 projectors can be stacked for a stunning 3D presentation.

Specifications		Christie CP2208
Brightness	lamps	<ul style="list-style-type: none"> <li>• CDXL-14M (003-003066-01)</li> <li>• CDXL-16M (003-003900-01)</li> <li>• CDXL-19SC (003-005366-01)</li> <li>• CDXL-21S1 (003-004258-01)</li> </ul>
	nominal	• Up to 9000 DCI lumens; 10,000 native lumens
	maximum screen size	• 35ft/10.67m @ 1.0 screen gain
Contrast ratio		• >1700:1 full field on/off
Digital micromirror device		<ul style="list-style-type: none"> <li>• 0.69" S2K 3-chip DMD DLP Cinema*</li> <li>• 2048 x 1080 pixels</li> </ul>
Number of colors		• 35.2 trillion
Lens mount configuration		• Fully motorized intelligent lens system (ILS)
Lenses		<ul style="list-style-type: none"> <li>• 1.2-1.72 (108-494108-01)</li> <li>• 1.33-2.1 (108-495109-01)</li> <li>• 1.62-2.7 (108-496100-01)</li> <li>• 2.09-3.9 (108-497101-01)</li> </ul>
Input line voltage		• Single phase 220V
Lamp power supply		• 700W-2.3kW low-ripple switch mode lamp power supply
Weight		• As installed: 119lbs (53.75kg)
Size		• (LxWxH): 27.4 x 27.1 x 15.6" (697 x 688 x 395 mm)
Accessories		<ul style="list-style-type: none"> <li>• Christie IMB-S2 (108-384107-03)</li> <li>• NAS-S2 4TB storage (108-502108-02)</li> <li>• HFR software upgrade</li> <li>• 90-degree extraction duct adapter (119-103105-01)</li> <li>• Rack mount stand (108-416102-01)</li> </ul>

<sup>1</sup> DCI-compliant NAS storage systems available through your Christie sales representative.

<sup>2</sup> Dolby, Doremi or GDC IMB systems.



## Key features:

- Fully DCI-compliant
- Choose from 4 Xenon lamp options
- 3D ready
- Low cost of ownership
- Motorized lens mount
- Open IMB slot
- Optional integrated media block with SMS and high-performance NAS storage
- Touch-panel controller with intuitive Graphical User Interface (GUI)
- HFR capable
- Standard support for HDCP
- Quick, easy rear access to the lamp
- Washable/reusable filters
- Backed by a dedicated technical support team

## Corporate offices

Christie Digital Systems USA, Inc.  
Cypress  
ph: 714 236 8610

Christie Digital Systems Canada Inc.  
Kitchener  
ph: 519 744 8005

## Worldwide offices

Australia  
ph: +61 (0) 7 3624 4888

Brazil  
ph: +55 (11) 2548 4753

China (Beijing)  
ph: +86 10 6561 0240

China (Shanghai)  
ph: +86 21 6278 7708

France  
ph: +33 (0) 1 41 21 44 04

Germany  
ph: +49 2161 664540

India  
ph: +91 (080) 6708 9999

Japan (Tokyo)  
ph: 81 3 3599 7481

Korea (Seoul)  
ph: +82 2 702 1601

Mexico  
ph: +52 55-4744-1790

Republic of South Africa  
ph: +27 11 251 0000

Russian Federation and Eastern Europe  
ph: +36 (0) 1 47 48 100

Singapore  
ph: +65 6877 8737

Spain  
ph: +34 91 633 9990

United Arab Emirates  
ph: +971 4 3206688

United Kingdom  
ph: +44 (0) 118 977 8000

United States (Arizona)  
ph: 602 943 5700

United States (New York)  
ph: 646 779 2014

## Independent sales consultant offices

Italy  
ph: +39 (0) 2 9902 1161



For the most current specification information, please visit [www.christiedigital.com](http://www.christiedigital.com)