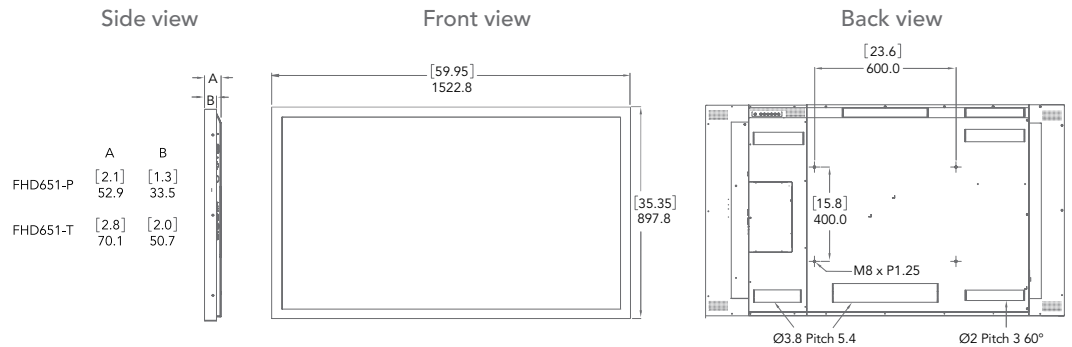


Christie FHD651-P and FHD651-T

Technical specifications		Christie FHD651-P	Christie FHD651-T
Display technology	screen size (diagonal)	• 65"	
	native resolution	• 1920 x 1080 (16:9)	
	technology	• Commercial-grade LCD	
	backlight	• Edge-lit LED	
	LED lifespan	• 50,000 hrs (50% brightness)	
	display orientation	• Landscape or portrait	
	pixel pitch	• 0.74 x 0.74mm	
	bezel size	• 43.1mm	• 39.9mm
	brightness	• 360 nits (cd/m ²) typical	• 324 nits (cd/m ²) typical
	contrast ratio (full field)	• 4000:1	
	viewing angle (CR 10:1)	• 178° h/v	
	refresh rate	• 50/60Hz	
	response time	• 8ms	
	color space (CIE 1931)	• 72%	
display colors	• 1.07 billion		
Signal	inputs	• HDMI (HDCP) • DVI (HDCP) • DisplayPort • VGA • Audio 3.5mm • Infrared extender 3.5mm	
	outputs	• Audio 3.5mm	
Control	inputs	• RS-232 • RJ45	
Power	input rating	• 100-240 VAC @ 50/60Hz	
	power consumption	• 160W typical • 223W maximum • ≤0.5W standby	
Environment	operating temperature	• 41-104°F (5-40°C)	
	operating humidity	• 35-85% non-condensing	
	storage temperature	• -4-140°F (-20-60°C)	
Physical	size	• (WxHxD): 59.95 x 35.35 x 2.08" (1522.8 x 897.8 x 52.9mm)	• (WxHxD): 59.95 x 35.35 x 2.76" (1522.8 x 897.8 x 70.1mm)
	weight	• 121lbs (55kg)	• 150lbs (68kg)
	panel mount locations	• VESA standard (WxH) 600 x 400mm	
Features	<ul style="list-style-type: none"> • Commercial-grade LCD • Anti-glare coating • Full HD resolution • Landscape or portrait orientation • High energy efficiency with ≤0.5W standby • Plug and Play (DDC2B) • Image Retention Frame Motion (IRFM) mode • Auto Scan source selection • Aspect-ratio control • Zoom • Advanced image settings • Configurable weekly on/off scheduler • Sleep timer • Control with on-screen display (OSD) using infrared (IR) remote control • Built-in 10W x 2 speakers 		
Touch	technology	• n/a	• High-resolution infrared
	simultaneous touches	• n/a	• 4
Accessories	• Panel ships with remote control with IR extender, DVI cable, RS-232 cable • Regional power cord available separately		
Warranty	<ul style="list-style-type: none"> • Three years parts and labor limited warranty • Contact an authorized Christie representative for full details of our limited warranty 		

► Complies with U.S. ADA regulations and barrier-free environment regulations in other countries for installed depth under 4" (100mm).



Corporate offices

Christie Digital Systems USA, Inc.
USA – Cypress
ph: 714 236 8610

Christie Digital Systems Canada Inc.
Canada – Kitchener
ph: 519 744 8005

Worldwide offices

Australia
ph: +61 (0) 7 3624 4888

Brazil
ph: +55 (11) 2548 4753

China (Beijing)
ph: +86 10 6561 0240

China (Shanghai)
ph: +86 21 6278 7708

Eastern Europe and
Russian Federation
ph: +36 (0) 1 47 48 100

France
ph: +33 (0) 1 41 21 44 04

Germany
ph: +49 2161 664540

India
ph: +91 (080) 6708 9999

Japan (Tokyo)
ph: 81 3 3599 7481

Korea (Seoul)
ph: +82 2 702 1601

Republic of South Africa
ph: +27 (0)11 510 0094

Singapore
ph: +65 6877 8737

Spain
ph: +34 91 633 9990

United Arab Emirates
ph: +971 4 3206688

United Kingdom
ph: +44 (0) 118 977 8000

**Independent sales
consultant offices**

Italy
ph: +39 (0) 2 9902 1161



ISO 9001
ISO 14001

Kitchener, Ontario

For the most current specification information, please visit www.christiedigital.com



Copyright 2014 Christie Digital Systems USA, Inc. All rights reserved. All brand names and product names are trademarks, registered trademarks or tradenames of their respective holders. Christie Digital Systems Canada Inc.'s management system is registered to ISO 9001 and ISO 14001.

Performance specifications are typical. Due to constant research, specifications are subject to change without notice.

Printed in Canada on recycled paper. 3801 Mar 14

CHRISTIE