

LCD PROJECTOR

LENS REPLACEMENT AND INSTALLATION MANUAL

CAUTION

When installing or replacing the Projection Lens, refer to this manual. For installation of the lens, use the parts designated in the manual.

AVAILABLE LENS

This projector applies the Projection Lenses listed below. Use the suitable lens for where the projector is used.

Model NO.	Type	Zoom	Focus
38-809050-01	Standard Zoom Lens	Motor Driven	Motor Driven
38-809047-01	Short Throw Zoom Lens	Motor Driven	Motor Driven
38-809048-01	Long Throw Zoom Lens	Motor Driven	Motor Driven
38-809049-01	Fixed Short Throw Zoom Lens	Fixed	Manual
38-809068-01	Ultra-Long Throw Zoom Lens	Motor Driven	Motor Driven

NOTES ON LENS INSTALLATION

- Lens installation and replacement should be made by trained sales engineer or qualified service personnel.
- Be sure to install the lens following this procedure precisely.
- Do not touch or remove any parts except the lens and related parts. It may result in malfunctions, electrical shock, fire hazard or other accidents.
- Before installing or replacing the lens, check that the Model No. of the Projection Lens matches to the projector.
- When moving or setting up the projector, be sure to replace the Lens Cover to protect the surface. And be careful not to hold or subject the lens to strong forces. It may damage the lens, cabinet, or mechanical parts.
- For details of the lens and installation, contact the sales dealer where you purchased the projector.

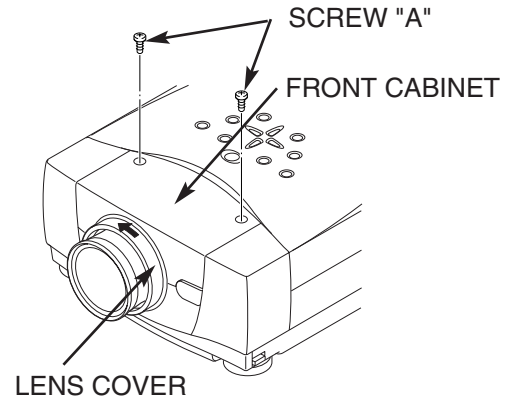
LENS REPLACEMENT PROCEDURE

Perform the steps **1** to **6** for lens replacement.

First set the lens at the fully lower position with lens shift adjustment.

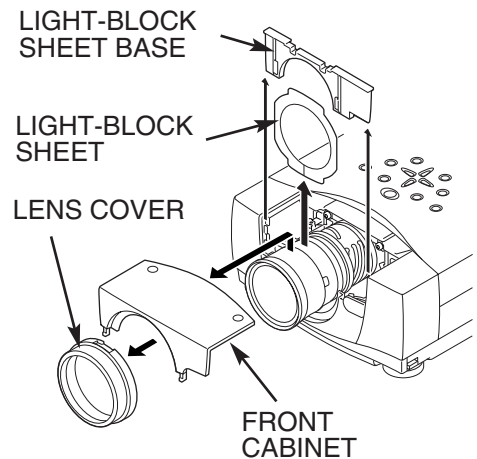
1 REMOVE THE LENS COVER AND FRONT CABINET

1. Turn the lens cover to counter-clockwise and pull it toward front and remove the Lens Cover.
2. Remove 2 Screws-A.
3. Remove the front cabinet



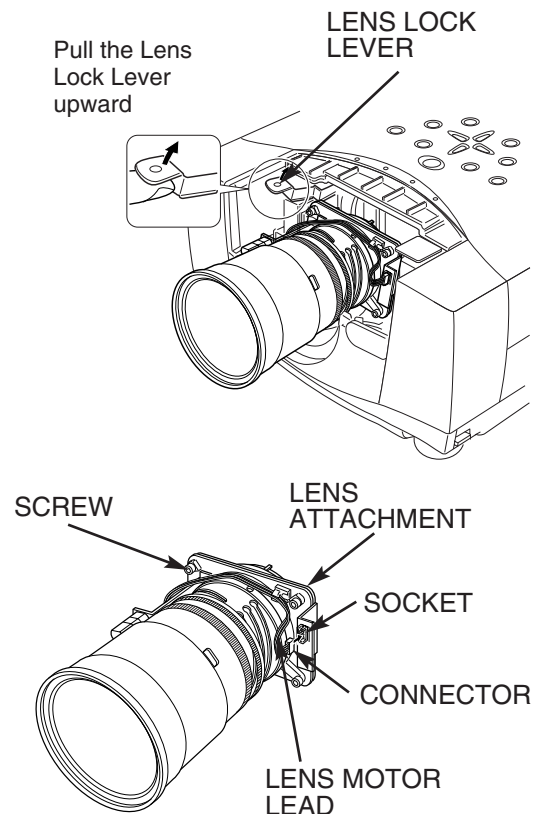
2 REMOVE THE LIGHT-BLOCK SHEET BASE AND LIGHT-BLOCK SHEET

1. Slide the light-block sheet base upward and remove it.
2. Remove the light-block sheet from lens.



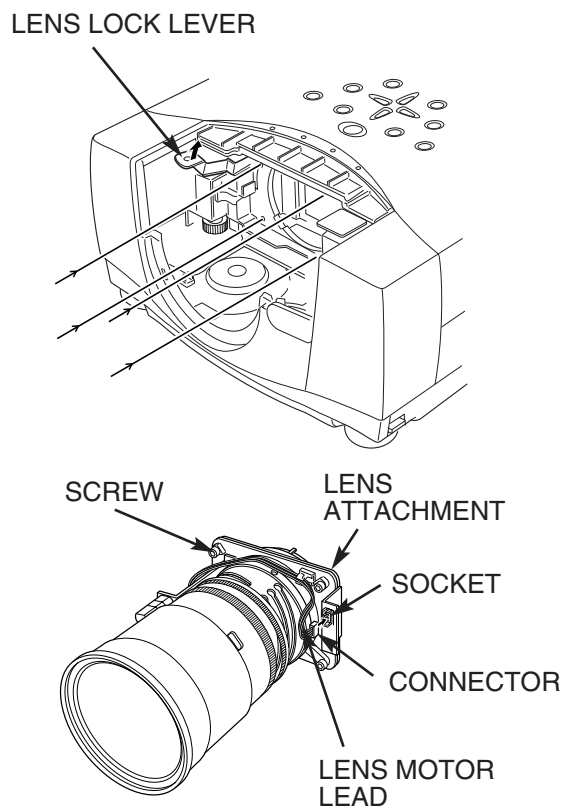
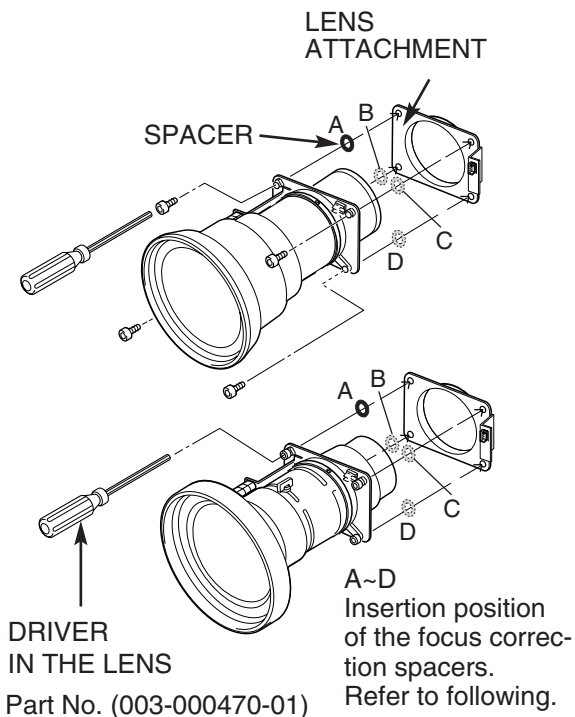
3 REMOVE THE LENS

1. Grasp the Lens Lock Lever and raise it fully upward. Remove the Lens from the projector.
2. Disconnect the lens motor lead connector to the socket on the lens attachment.
3. Remove 4 Screws and remove lens attachment.



4 MOUNT THE LENS

1. Remove protective caps (front and back) on the optional lens.
2. Mount the lens on the lens attachment with 4 Screws.
3. Connect the lens motor lead connector to the socket on the lens attachment. (Motor Driven Lens only.)
4. Grasp the Lens Lock Lever and raise it fully upward. Install the Lens into the projector. Push the Lens Lock Lever downward until lever is locked (clicked position).
When installing the Motor Driven Lens, be sure to mount Lens Motor on left-side.
After installing the lens, make sure the Lens is not loose and properly installed.



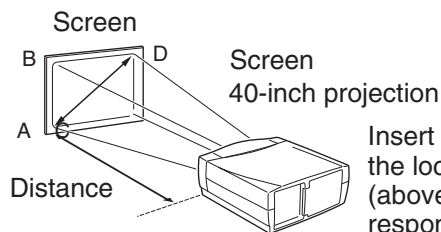
Correcting the focus

When the lens is attached to the projector and images are being projected onto the screen, the peripheral focus may be out of focus in some localized areas. If this happens, insert the spacer in between the lens attachment and the lens to correct the focus.

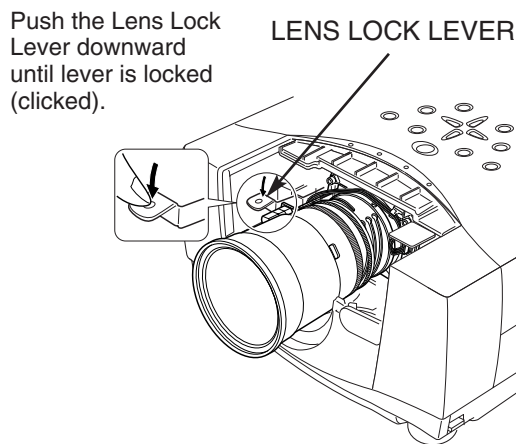
Inserting the spacers corrects the distance for best diagonal focus at the screen.

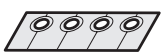


The corrected distance is determined by the thickness of the spacers that are used. As a guide, the distance is adjusted by approximately 30 mm for each 0.1-mm thickness of the spacers.

There are three types of spacers provided, and there are four of each spacer type. Use these spacers to correct the distance as required.



Insert spacers in the location A~D (above figure) corresponding to the screen location A~D.

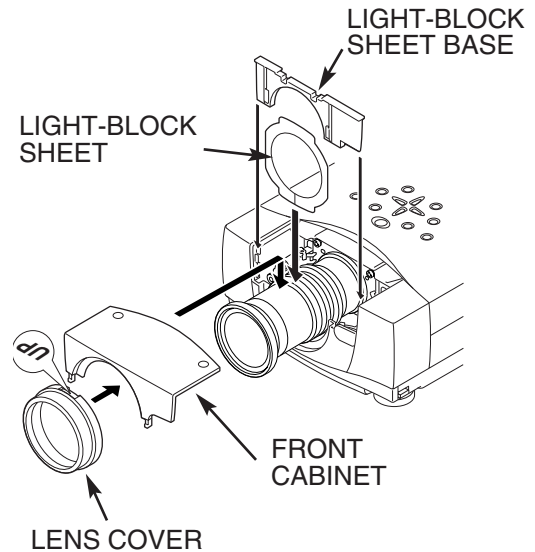


	Spacer "1" Color; Clear Thickness; 0.1 mm	Correction distance 30 mm/for 40-inch projection
	Spacer "2" Color; Black Thickness; 0.2 mm	Correction distance 55 mm/for 40-inch projection
	Spacer "1" Color; Cream Thickness; 0.3 mm	Correction distance 80 mm/for 40-inch projection

For 38-809050-01, 38-809047-01, 38-809048-01 and 38-809068-01

5 MOUNT THE LIGHT-BLOCK SHEET AND LIGHT-BLOCK SHEET BASE

1. Mount the light-block sheet on the lens. (In the same position as the removed sheet has been placed). Use the sheet included with the lens.
Make sure the mark (TOP and BACK) on Light-Block Sheet and set them properly.
2. Mount the light-block sheet base.

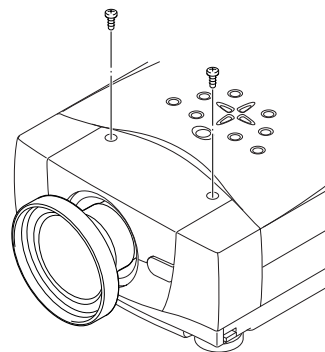
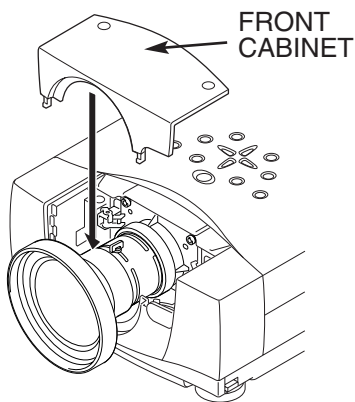


For 38-809049-01

Light-block sheet base, Light-block sheet and Lens cover are not used.

5 MOUNT THE FRONT CABINET

1. Mount the front cabinet with 2 screws.



6 MOUNT THE FRONT CABINET AND LENS COVER

1. Mount the front cabinet with 2 screws.
2. Mount the lens cover.
Position the marked UP of Lens Cover on top and push in to the front cabinet and turn the Lens Cover fully clockwise until it is properly locked.

